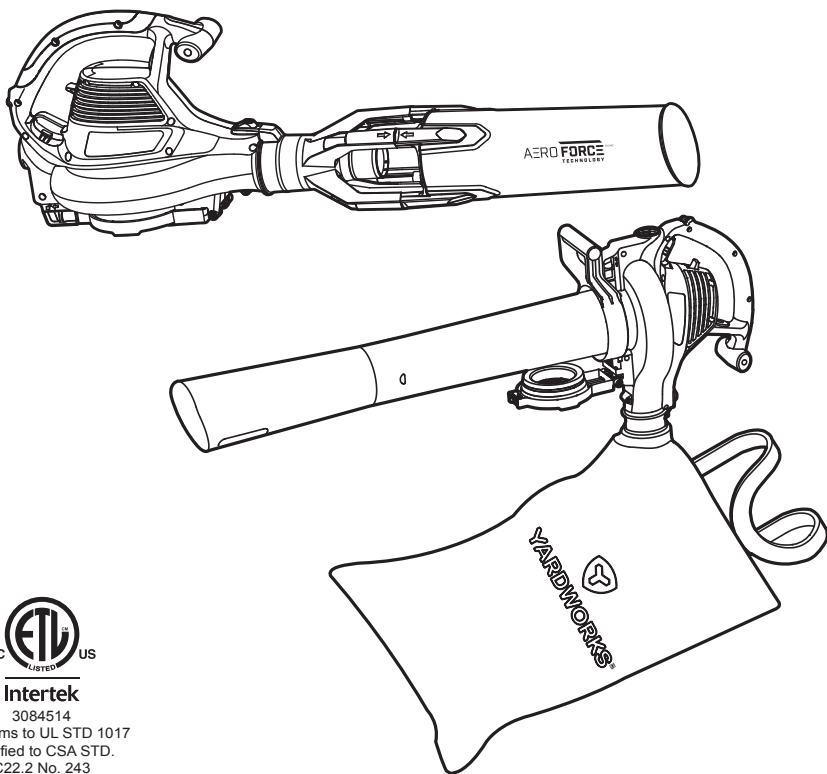




# YARDWORKS<sup>TM/MC</sup>

## LEAF BLOWER/VAC WITH AERO FORCE<sup>TM</sup> TECHNOLOGY

model no. 060-3775-4 | contact us: 1.866.523.5218



Intertek

3084514

Conforms to UL STD 1017

Certified to CSA STD.

C22.2 No. 243

### IMPORTANT:

Read and follow all safety rules and operating instructions before using this product.

Instruction  
Manual

Specifications	2
Important safety instructions	3
Specific safety rules	5
Symbols	6
Features	7
Electrical information	8
Assembly	10
Operation	14
Care and maintenance	17
Troubleshooting	18
Exploded view	19
Parts list	20
Warranty	21

#### LEAF BLOWER/VAC WITH AERO FORCE™ TECHNOLOGY

Voltage	120 V ~ 60 Hz
Motor	12 A
Air Volume	700 CFM
Air Velocity	82.5 MPH (132.8 KM/H)
Impeller Type	4 3/4" (11.9 cm), metal
Weight	10 lb 4 oz (4.6 kg)

#### READ THESE INSTRUCTIONS BEFORE USING THIS BLOWER / VACUUM

##### WARNING! TO REDUCE THE RISK OF FIRE, ELECTRIC SHOCK OR INJURY:

- Do not operate power tools in explosive environments (such as in the presence of flammable liquids, gases, or dust), or use to pick up flammable or combustible liquids. Power tools create sparks which may ignite the dust or fumes.
- To reduce the risk of electric shock, this tool has a polarized plug one blade is wider than the other and will require the use of a polarized extension cord. The plug will fit into a polarized extension cord only one way. If the plug does not fit fully into the extension cord, reverse the plug. If the plug still does not fit, obtain a correct polarized extension cord. A polarized extension cord will require the use of a polarized wall outlet. This plug will fit into the polarized wall outlet only one way. If the plug does not fit fully into the wall outlet, reverse the plug. If the plug still does not fit, contact a qualified electrician to install the proper wall outlet. Do not change the equipment plug, extension cord receptacle, or extension cord plug in any way.
- Avoid body contact with grounded surfaces such as pipes, radiators, ranges, and refrigerators. There is an increased risk of electric shock if your body is grounded.
- Don't expose power tools to rain or wet conditions; store indoors. Water entering a power tool will increase the risk of electric shock.
- Do not handle plug or tool with wet hands.
- Use outdoor extension cords marked W-A, W, SW-A, SOW-A, STW-A, STOW-A, SJW-A, SJTW-A, or SJTOW-A. These cords are rated for outdoor use and reduce the risk of electric shock.
- Never allow children to operate the equipment. Never allow adults to operate the equipment without proper instruction.
- Wear eye protection with side shields which is marked to comply with ANSI Z87.1 as well as hearing protection when operating this product.
- Protect your lungs. Always wear a face or dust mask if the operation is dusty. Following this rule will reduce the risk of serious personal injury.
- Use extra care when cleaning on stairs.
- Use only as described in this manual. Use only manufacturer's recommended attachments.
- Keep hair, loose clothing, fingers and all body parts away from openings, moving parts and all hot surfaces of the unit.
- Secure long hair so it is above shoulder level to prevent entanglement in any moving parts.
- Wear heavy long pants, long sleeves, boots, and gloves. Avoid loose garments or jewellery that could get caught in moving parts of the machine or its motor.
- Do not operate the equipment while barefoot or when wearing sandals or similar lightweight footwear. Wear protective footwear that will protect your feet and improve your footing on slippery surfaces.



**IMPORTANT! READ AND UNDERSTAND ALL INSTRUCTIONS.** Failure to follow all instructions listed below may result in electric shock, fire, and/or serious personal injury.

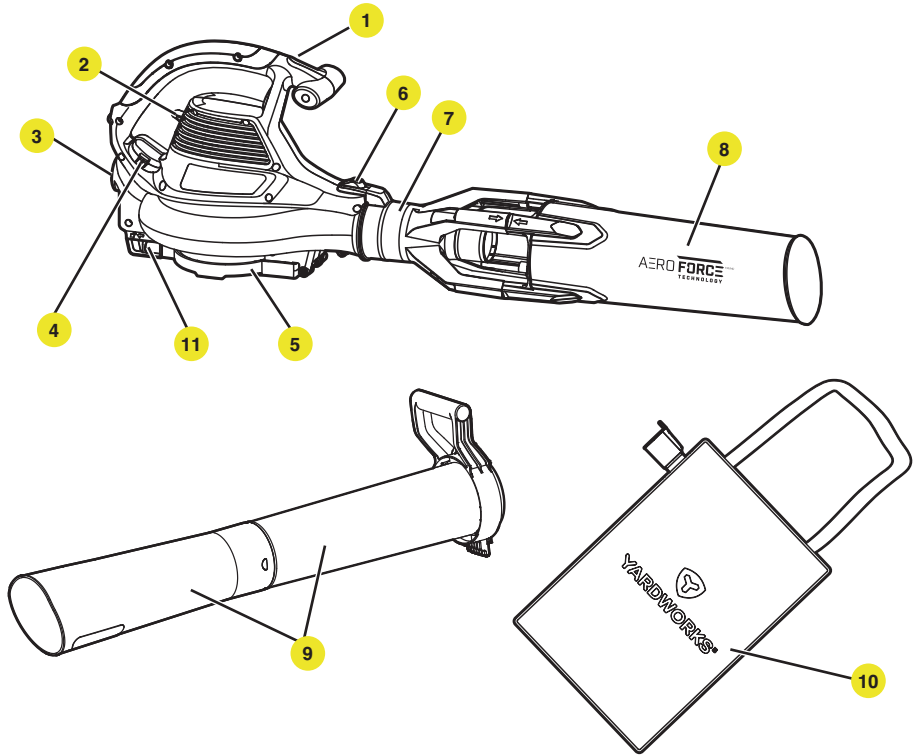
- Do not force tool. Use the correct tool for your application. The correct tool will do the job better and safer at the rate for which it is designed.
- Do not use on steps, a ladder, roof top, tree, or other unstable support. Stable footing on a solid surface enables better control of the blower in unexpected situations.
- Keep firm footing and balance. Do not overreach. Overreaching can result in loss of balance.
- Do not allow to be used as a toy. Close attention is necessary when used by or near children.
- Avoid accidental starting. Be sure the power switch is not on before plugging in.
- Do not leave the tool when plugged in. Unplug from the power outlet when not in use, before servicing, and before storing the tool. Turn off all controls before unplugging. Such preventative safety measures reduce the risk of starting the tool accidentally.
- Do not use tool if switch does not turn it on or off. Any tool that cannot be controlled with the switch is dangerous and must be repaired.
- Do not use with damaged plug. If tool is not working as it should or has been dropped, damaged, left outdoors, or dropped into water, take it to a qualified service dealer for inspection and possible repair.
- Keep all bystanders, children, and pets at least 50' (15.24 m) away.
- Do not operate this unit when you are tired, ill, upset or under the influence of alcohol, drugs, or medication.
- Do not operate in poor lighting.
- Do not put any object into openings. Do not use with any opening blocked; keep openings free of dust, lint, hair, and anything that may reduce air flow.
- Check the work area before each use. Remove all objects such as rocks, broken glass, nails, wire, or string which can be thrown or become entangled in the machine.
- Never use blower near fires, fireplaces, hot ashes, barbecue pits, etc., which may cause fire to spread.
- Do not pull or carry by cord, use cord as a handle, close a door on a cord, or pull cord around sharp edges or corners. Do not run appliance over cord. Keep cord away from heated surfaces.
- Do not unplug by pulling on cord. To unplug, grasp the plug, not the cord.
- Use only identical manufacturer's replacement parts and accessories. Use of any other parts may create a hazard or cause product damage.
- In a double insulated appliance, two systems of insulation are provided instead of grounding. No grounding means is provided on a double insulated appliance, nor should a means for grounding be added to the appliance. Servicing a double insulated appliance requires extreme care and knowledge of the system and should be done only by qualified service personnel. Replacement parts for a double insulated appliance must be identical to the parts they replace.
- For household use only.

- Make sure your extension cord is in good condition. When using an extension cord, be sure to use one heavy enough to carry the current your product will draw. A wire gauge size (A.W.G.) of at least 14 is recommended for an extension cord 50' (15.24 m) or less in length. If in doubt, use the next heavier gauge. The smaller the gauge number, the heavier the cord. An undersized cord will cause a drop in line voltage resulting in loss of power and overheating.
- Do not point the blower nozzle in the direction of people or pets.
- Never place blower on any surface, except a hard, clean surface, when motor is running. Gravel, sand, and other debris can be picked up by the air inlet and thrown at the operator or bystanders, causing possible serious injuries.
- Never run the unit without the proper equipment attached. Always ensure the blower tubes are installed.
- When not in use, blower should be stored indoors in a dry, locked-up place, out of the reach of children.
- Maintain tool with care. Keep fan area clean for best and safest performance. Follow instructions for proper maintenance.
- Do not attempt to clear clogs from tool without first unplugging it.
- Do not pull or carry by cord, use cord as a handle, or pull cord around sharp edges or corners. Keep cord away from heated surfaces.
- Do not unplug by pulling on cord. To unplug, grasp the plug, not the cord.
- If the power supply cord is damaged, stop using the unit. Take the unit to a qualified service dealer for inspection and possible repair.
- **Save these instructions.** Refer to them frequently and use them to instruct others who may use this power tool. If you loan someone this power tool, loan them these instructions also.

Some of the following symbols may be used on this product. Please study them and learn their meaning. Proper interpretation of these symbols will allow you to operate the product effectively and safely.

Symbol	Name	Designation/ Explanation
V	Volts	Voltage
A	Amperes	Current
Hz	Hertz	Frequency (cycles per second)
W	Watts	Power
min	Minutes	Time
	Alternating Current	Type of current
	Direct Current	Type or a characteristic of current
	Class II Construction	Double-insulated construction
	Safety Alert Symbol	Indicates a potential personal injury hazard. To reduce the risk of injury, user must read and understand operator's manual before using this product.
	Read the Operator's Manual	
	Eye and Hearing Protection	Always wear eye protection with side shields marked to comply with ANSI Z87.1, along with hearing protection.
	Wet Conditions Alert	Do not expose to rain or use in damp locations.

Symbol	Name	Designation/ Explanation
	Keep Bystanders Away	Keep all bystanders at least 50' (15.24 m) away.
	Gloves	Wear non-slip, heavy-duty protective gloves when handling the leaf blower.
	Safety Footwear	Wear non-slip safety footwear when using this equipment.
	Electric Shock	Failure to use in dry conditions and to observe safe practices can result in electric shock.
	Long Hair	Failure to keep long hair away from the air inlet could result in personal injury.
	Blower Tubes	Do not operate without tubes in place.
	Loose Clothing	Failure to keep loose clothing from being drawn into air intake could result in personal injury.



Item	Description
1	Handle
2	ON/OFF switch
3	Plug
4	Cord retainer
5	Mulch/vacuum gate
6	Blower tube release button
7	AERO FORCE™ amplifying tube connector
8	AERO FORCE™ amplifying tube
9	Vacuum tubes (upper/lower)
10	Collection bag with connector neck
11	Trigger switch

**SAVE THESE INSTRUCTIONS!**

### DOUBLE INSULATION

Double insulation is a concept in safety in electric power tools, which eliminates the need for the usual three-wire grounded power cord. All exposed metal parts are isolated from the internal metal motor components with protecting insulation. Double-insulated tools do not need to be grounded.

### ELECTRICAL CONNECTION

This product has a precision-built electric motor. It should be connected to a power supply that is 120 V, AC only (normal household current), 60 Hz.

Do not operate this product on direct current (DC). A substantial voltage drop will cause a loss of power and the motor will overheat. If your product does not operate when plugged into an outlet, double-check the power supply.

### GFCI

Ground Fault Circuit Interrupter (GFCI) protection should be provided on the circuit(s) or outlet(s) to be used for the product. Receptacles are available having built-in GFCI protection and may be used for this measure of safety.

### GUIDELINES FOR USING EXTENSION CORDS

USE THE PROPER EXTENSION CORD. Make sure your extension cord is in good condition. When using an extension cord, be sure to use one heavy enough to carry the current your product will draw. An undersized cord will cause overheating. The table below shows the correct size to use depending on cord length and nameplate ampere rating. If in doubt, use the next heavier gauge. The smaller the gauge number, the heavier the cord.

**Note:** Servicing of a product with double insulation requires extreme care and knowledge of the system and should be performed only by a qualified service technician. Take the unit to a qualified service dealer for inspection and possible repair using only identical replacement parts.



**WARNING:** The double insulated system is intended to protect the user from shock resulting from a break in the tool's internal insulation. Observe all normal safety precautions to avoid electrical shock.

**Minimum Gauge for Extension Cords (AWG)**  
(when using 120 V only)

Ampere Rating		Total Length of Cord in Feet (metres)			
More Than	Not More Than	25' (7.6 m)	50' (15 m)	100' (30.4 m)	150' (45.7 m)
0	6	18	16	16	14
6	10	18	16	14	12
10	12	16	16	14	12
12	16	14	12	Not Recommended	

Make sure your extension cord is properly wired and in good electrical condition. Always replace a damaged extension cord or have it repaired by a qualified person before use. Keep extension cords away from sharp objects, excessive heat and damp or wet areas. Use a separate electrical circuit for your tools. This circuit should comprise a wire of at least 12 gauge and should be protected with a 15 A time-delayed fuse. Before connecting the motor to the power line, make sure the switch is in the OFF position and the electric current is identical to that stamped on the motor nameplate. Running at a lower voltage will damage the motor.



**WARNING:** ALTHOUGH THIS TOOL IS DOUBLE INSULATED, THE EXTENSION CORD AND RECEPTACLE MUST STILL BE GROUNDED WHILE IN USE TO PROTECT THE OPERATOR FROM ELECTRICAL SHOCK.



**WARNING:** Check extension cords before each use. If damaged replace immediately. Never use product with a damaged cord since touching the damaged area could cause electrical shock resulting in serious injury.

## UNPACKING

This product requires assembly.

- Carefully remove the product and any accessories from the box. Make sure that all items listed in the packing list are included.
- Inspect the product carefully to make sure no breakage or damage occurred during shipping.
- Do not discard the packing material until you have carefully inspected and satisfactorily operated the product.
- If any parts are damaged or missing, do not operate the blower. Return it for replacement to the retailer from which it was purchased.

## PACKING LIST

Blower / Vacuum  
 AERO FORCE™ amplifying tube connector  
 Vacuum tubes  
 AERO FORCE™ amplifying tube  
 Collection bag  
 Screws (4 pcs)  
 Operator's manual



**WARNING:** Do not use this product if any parts on the Packing List are already assembled to your product when you unpack it. Parts on this list are not assembled to the product by the manufacturer and require customer installation. Use of a product that may have been improperly assembled could result in serious personal injury.



**WARNING:** If any parts are damaged or missing do not operate this product until the parts are replaced. Use of this product with damaged or missing parts could result in serious personal injury.

Do not attempt to modify this product or create accessories not recommended for use with this product. Any such alteration or modification is misuse and could result in a hazardous condition leading to possible serious personal injury.

Do not connect to power supply until assembly is complete. Failure to comply could result in accidental starting and possible serious personal injury.

## ASSEMBLING THE AERO FORCE™ AMPLIFYING TUBE

- Connect AERO FORCE™ amplifying tube to AERO FORCE™ amplifying tube connector by screws.
- Slide AERO FORCE™ amplifying tube connector forward until the tab on the blower housing clicks into the slots on the tube. (Fig. 1)

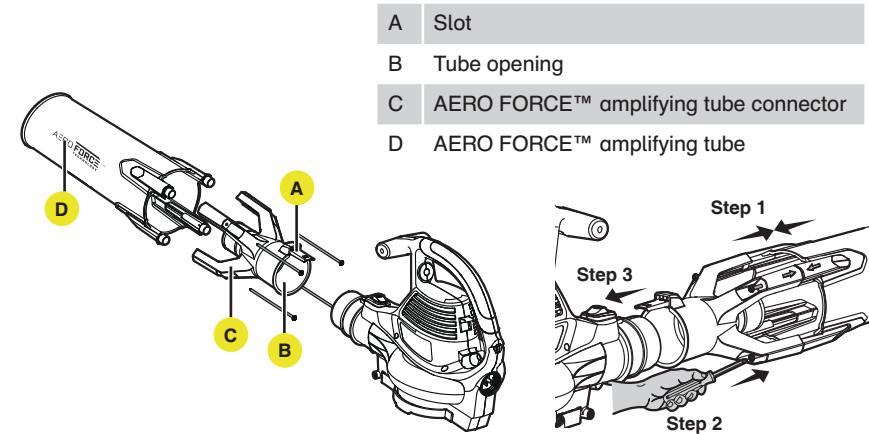


Fig. 1

## INSTALLING VACUUM TUBE AND COLLECTION BAG WITH SHOULDER STRAP

- Assemble the vacuum tube sections by aligning and sliding upper tube into the lower vacuum tube until the different size tabs have "set".
- Turn on the trigger switch and open vacuum gate. (Fig. 2)

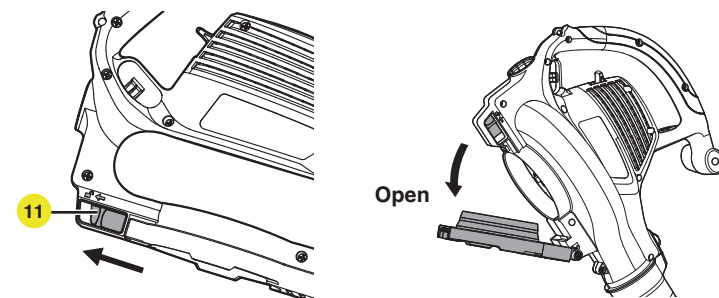


Fig. 2

- With gate open, align tabs on vacuum tube with opening inside gate. (Fig. 3)

A Vacuum tube aligning tab

B Vacuum tube locking tab

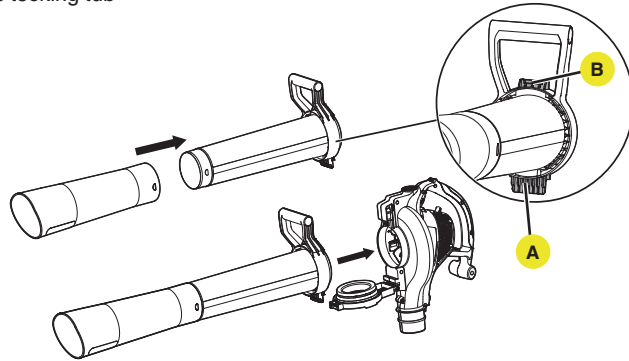


Fig. 3

- With assembled vacuum tube properly aligned, insert into aligned gate opening and lock vacuum tube into place. Make certain the vacuum tube aligning tab is firmly "seated" before locking the latch. (Fig. 4)

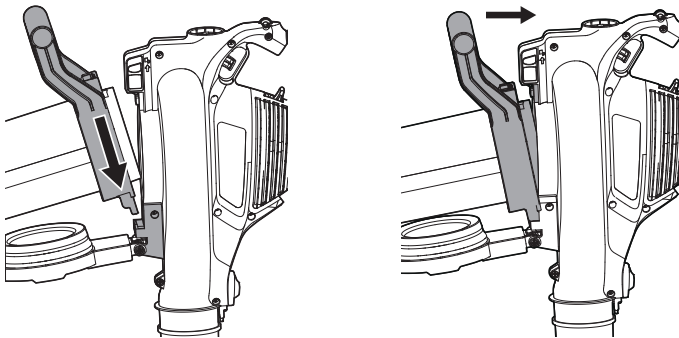


Fig. 4

- Add collection bag by simply aligning the plastic connector sleeve on the bag to the blower exhaust. (Fig. 5)

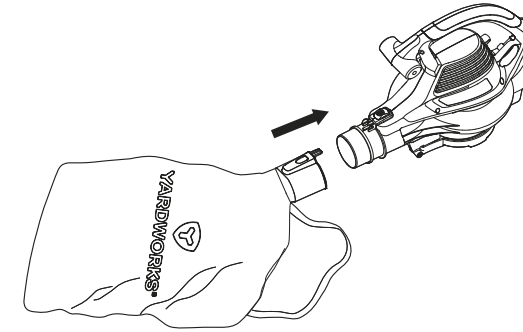


Fig. 5

- While standing in the operating position adjust the length to fit the operator's size. Pull the tab to lengthen, pull the strap to shorten. (Fig. 6)

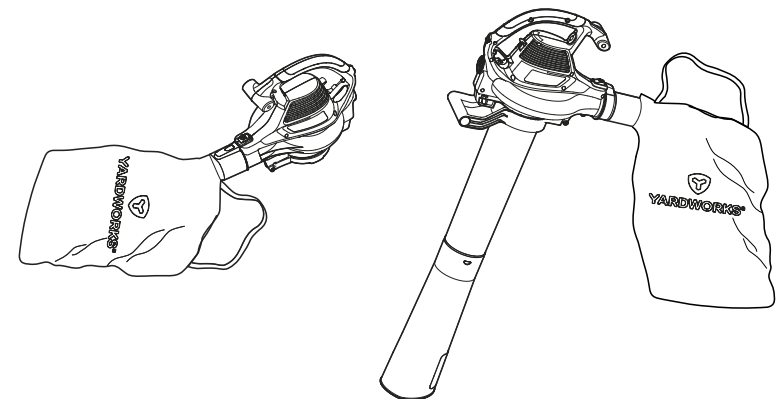


Fig. 6



## APPLICATIONS

You may use this product for the purposes listed below:

- Clearing leaves and other yard debris from your lawn.
- Keeping decks, patios, garages and driveways free from leaves, pine needles and other debris.

## STARTING / STOPPING THE BLOWER

- Lock up vacuum gate.
- Attach the outlet end of an extension cord to the plug on the rear of the blower.
- Route the extension cord through the side of the loop located on the rear of the blower housing and place underneath the cord retainer. (Fig. 7)

- |   |                |
|---|----------------|
| A | Cord retainer  |
| B | Loop           |
| C | Plug           |
| D | Extension cord |

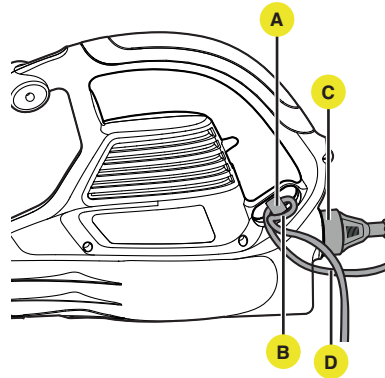


Fig. 7

**NOTE:** Use only an approved outdoor extension cord as described previously in this manual.



### WARNING:

Do not allow familiarity with products to make you careless. Remember that a careless fraction of a second is sufficient to inflict serious injury.

Always wear eye protection with side shields marked to comply with ANSI Z87.1, along with hearing protection. Failure to do so could result in objects being thrown into your eyes, resulting in possible serious injury.

Do not use any attachments or accessories not recommended by the manufacturer of this product. The use of attachments or accessories not recommended can result in serious personal injury.

- To start the blower, place the power switch on I (Low Speed) or II (High Speed) position.
- To stop the blower, place the power switch in 0 (OFF) position. (Fig. 8)

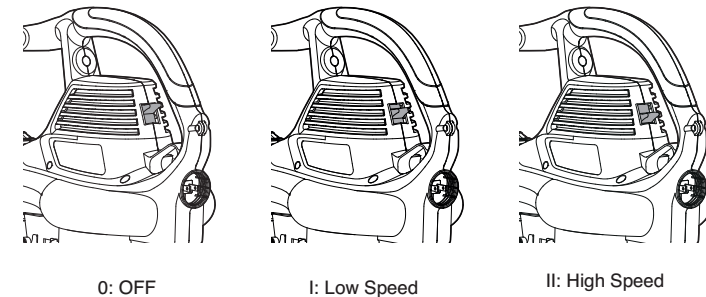


Fig. 8

## OPERATING THE BLOWER

- To keep from scattering debris, blow around the outer edges of a debris pile. Never blow directly into the centre of a pile.
- To reduce sound levels, limit the number of pieces of equipment used at any one time.
- Use rakes and brooms to loosen debris before blowing. In dusty conditions, slightly dampen surfaces when water is available.
- Watch out for children, pets, open windows, or freshly washed cars, and blow debris safely away.
- During operation, hold the device with one hand on the casing grip and the other on the additional grip. (Fig. 9)
- Operate power equipment at reasonable hours only – not early in the morning or late at night when people might be disturbed. Comply with the times listed in local ordinances.
- After using blowers or other equipment, CLEAN UP! Dispose of debris properly.



**WARNING:** The leaf blower draws in additional air from these opening amplifying the air volume. Do not cover, block or insert any object in these openings.



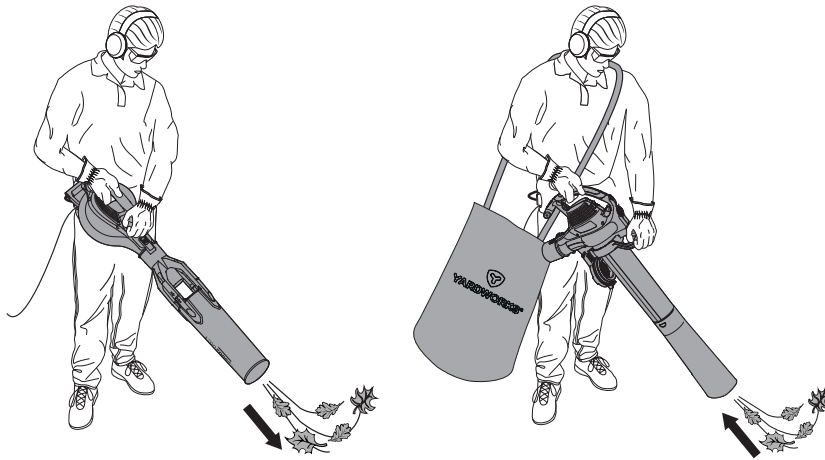


Fig. 9

#### EMPTYING OF COLLECTION BAG

- Switch off the tool and disconnect the plug.
- Wait until the impeller fan comes to a standstill before removing the collection bag from the tool.
- Open the zipper of the collection bag and empty it completely. (Fig.10)



Fig. 10

#### GENERAL MAINTENANCE

Avoid using solvents when cleaning plastic parts. Most plastics are susceptible to damage from various types of commercial solvents and may be damaged by their use. Use clean cloths to remove dirt, dust, oil, grease, etc.

#### STORAGE (1 MONTH OR LONGER)

- Clean all foreign materials from the blower.
- Store indoors in a place that is out of reach of children. Keep away from corrosive agents such as garden chemicals and de-icing salts.



#### WARNING:

When servicing, use only identical replacement parts. Use of any other parts may create a hazard or cause product damage.

Always wear eye protection with side shields marked to comply with ANSI Z87.1, along with hearing protection. Failure to do so could result in objects being thrown into your eyes, resulting in possible serious injury.

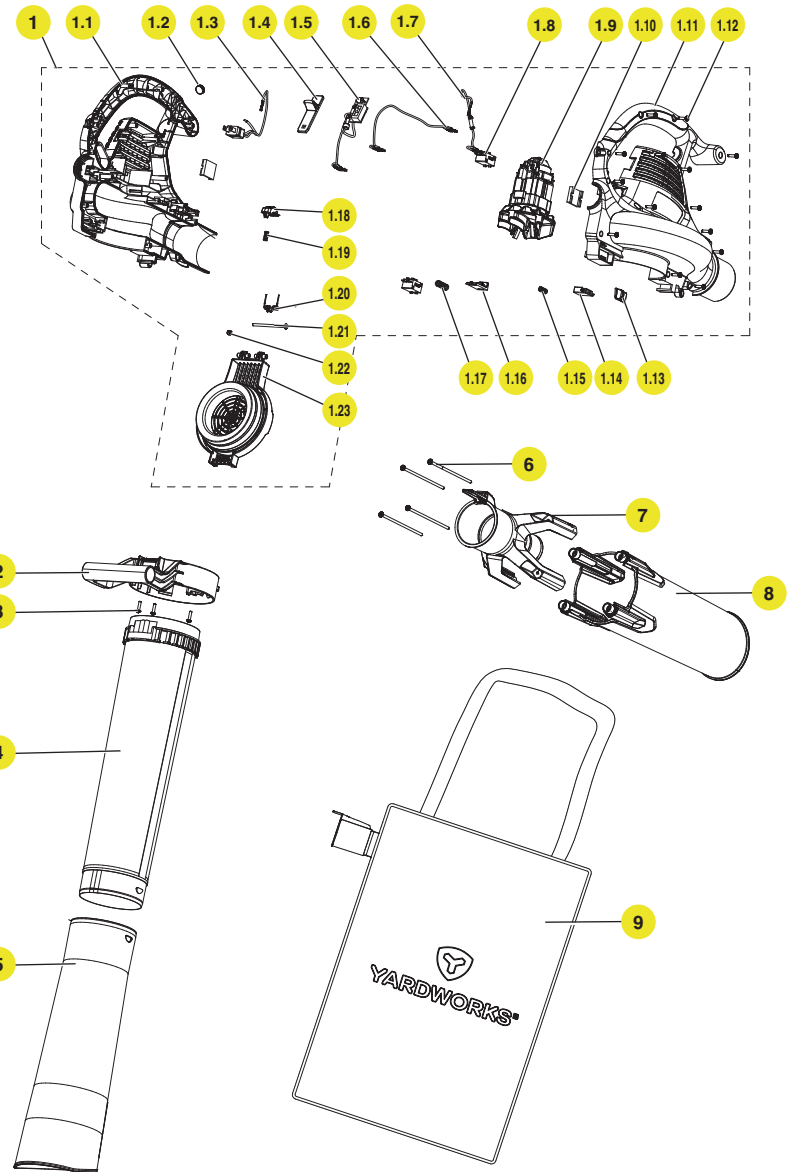
Before inspecting, cleaning or servicing the machine, unplug the power cord and wait for all moving parts to stop. Failure to follow these instructions can result in serious personal injury or property damage.



**WARNING:** Do not at any time let brake fluids, gasoline, petroleum-based products, penetrating oils, etc., come in contact with plastic parts. Chemicals can damage, weaken or destroy plastic, which may result in serious personal injury.

Troubleshooting

Problem	Possible cause	Solution
Unit will not blow or suck debris.	1. Bag full	1. Empty the bag.
	2. Blocked tube	2. Clear the blockage.
	3. Blocked impeller	3. Clear the blockage.
	4. Dirty bag	4. Clean the bag.
	5. Torn bag	5. Replace the bag.
	6. Bag unzipped	6. Zip up the bag.
	7. Unit unplugged	7. Plug into an outlet or an extension cord.
Unit will not start.	1. Unit is unplugged.	1. Check cord to make sure it is plugged into an electrical outlet.
	2. Power/speed switch is in the OFF position.	2. Slide switch to high or low.
	3. Defective power switch.	3. Call toll-free helpline.
	4. Vac tubes are not correctly installed.	4. Check vac tubes to ensure that they are allowing the switch to be engaged when correctly installed.
	5. Vacuum gate/port is not closed.	5. Ensure that port/cover is fully closed and locked.
	6. House circuit may have tripped.	6. Check wall circuit breaker panel and reset if necessary.



Exploded View

Item	Part No.	Description	QTY.
1	131017127	Power Head Assembly	1.0
1.1	131017101	Left Motor Housing	1.0
1.2	131017102	Rubber Stopper	1.0
1.3	131017103	Built-in Plug	1.0
1.4	131017104	Switch Push Button	1.0
1.5	131017105	Switch Assembly	1.0
1.6	131017106	Inner Cable	1.0
1.7	131017107	Fuse Assembly	1.0
1.8	131003118	Switch	2.0
1.9	131017108	Motor Assembly	1.0
1.10	131003102	Rubber Pad	2.0
1.11	131017109	Motor Housing Right	1.0
1.12	131017110	Screw ST3.9X16F	14.0
1.13	131017124	Trigger Switch	1.0
1.14	131017123	Slider	1.0
1.15	131017122	Compression Spring	1.0
1.16	131003115	Switch Push Plate	1.0
1.17	131017120	Compression Spring	1.0
1.18	131017118	Rocker Switch	1.0
1.19	131017117	Compression Spring	1.0
1.20	131017116	Spring For Axle	1.0
1.21	131017115	Screw M4*L68*b5	1.0
1.22	131017114	Nut M4	1.0
1.23	131017113	Air Intake Cover	1.0
2	131017111	Vacuum Tube Handle	1.0
3	551095115	Screw ST3.9*16F	3.0
4	131017112	Rear Air Intake Tube	1.0
5	131003112	Front Air Intake Tube	1.0
6	131017119	Screw ST4.2*130	4.0
7	131017121	Amplifying Tube Connector	1.0
8	131017125	Amplifying Tube	1.0
9	131017126	Collection Bag Assembly	1.0

### TWO-YEAR LIMITED WARRANTY

For TWO YEARS from the date of purchase within Canada, **YARDWORKS CANADA** will, at its option, repair or replace for the original purchaser, free of charge, any part or parts found to be defective in material or workmanship.

#### This warranty does not cover:

1. Any part that has become inoperative due to misuse, commercial use, abuse, neglect, accident, improper maintenance, or alteration;
2. The unit, if it has not been operated and/or maintained in accordance with the owner's manual;
3. Normal wear, except as noted below;
4. Routine maintenance items such as lubricants, blade sharpening; or
5. Normal deterioration of the exterior finish due to use or exposure.

#### Full One Hundred Twenty Days Warranty on Normal Wear Parts:

Normal wear parts are defined as blade adaptors, blades, grass bags and tires. These parts are warranted to the original purchaser to be free from defects in material and workmanship for a period of one hundred twenty (120) days from the date of retail purchase.

#### How to Obtain Service:

Warranty service is available by calling the toll-free helpline, at 1.866.523.5218. The factory will not accept the return of a complete unit unless prior written permission has been extended by **YARDWORKS CANADA**.

#### Transportation Charges:

Transportation charges for the movement of any power equipment unit or attachment are the responsibility of the purchaser. The purchaser must pay transportation charges for any part submitted for replacement under this warranty unless such return is requested in writing by **YARDWORKS CANADA**.

#### Other Warranties:

All other warranties, express or implied, including any implied warranty of merchantability is limited in its duration to that set forth in this express limited warranty. The provisions as set forth in this warranty provide the sole and exclusive remedy of **YARDWORKS CANADA** obligations arising from the sale of its products.

**YARDWORKS CANADA will not be liable for incidental or consequential loss or damage.**

Made in China. Imported by Yardworks Canada.  
Toronto, Canada M4S 2B8