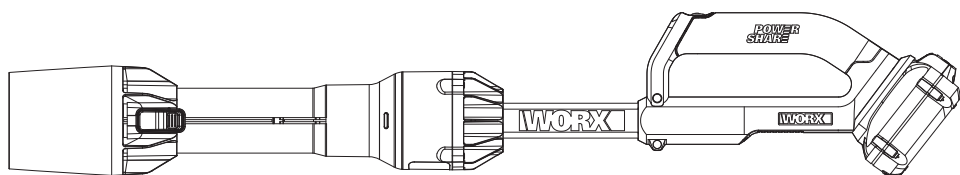


WORX®



LEAFJET

20V Cordless Blower

EN P02

Souffleur sans fil de 20V

F P10

Soplador inalámbrico 20V

ES P16



HELPLINE NUMBER
NUMERO DU SERVICE D'ASSISTANCE
NUMERO DE LINEA DE AYUDA
1-866-354-WORX (9679)

WG543 WG543.1 WG543.9

PRODUCT SAFETY

WARNING: Some dust created by power sanding, sawing, grinding, drilling and other construction activities contains chemicals known to the state of California to cause cancer, birth defects or other reproductive harm. Some examples of these chemicals are:

- Lead from lead-based paints;
- Crystalline silica from bricks and cement and other masonry products;
- Arsenic and chromium from chemically-treated lumber.

Your risk from these exposures varies, depending on how often you do this type of work. To reduce your exposure to these chemical: work in a well ventilated area, and work with approved safety equipment, such as those dust masks that are specially designed to filter out microscopic particles.

WARNING: This product can expose you to chemicals including lead and Di (2-ethylhexyl) phthalate (DEHP) which are known to the State of California to cause cancer and birth defects or other reproductive harm. For more information go to www.P65Warnings.ca.gov.

IMPORTANT SAFETY INSTRUCTIONS

WARNING: Read all safety warnings and instructions. Failure to follow the warnings and instructions may result in electric shock, fire and/or serious injury.

FOR ALL APPLIANCES

- 1) Avoid Dangerous Environment - Don't use appliances in damp or wet locations.
- 2) Don't Use In Rain.
- 3) Keep Children Away - All visitors should be kept at a distance from work area.
- 4) Dress Properly - Do not wear loose clothing or jewelry. They can be caught in moving parts. Use of rubber gloves and substantial footwear is recommended when working outdoors. Wear protective hair covering to contain long hair.
- 5) Use Safety Glasses - Always use face or dust mask if operation is dusty.
- 6) Use Right Appliance - Do not use appliance for any job except that for which it is intended.
- 7) Don't Force Appliance - It will do the job better and with less likelihood of a risk of injury at the rate for which it was designed.
- 8) Don't Overreach - Keep proper footing and balance at all times.
- 9) Stay Alert - Watch what you are doing. Use common sense. Do not operate appliance when you are tired.
- 10) Store Idle Appliances Indoors - When not in use, appliances should be stored indoors in dry, and high

or locked-up place - out of reach of children.

- 11) Maintain Appliance With Care - Follow instructions for lubricating and changing accessories. Keep handles dry, clean, and free from oil and grease.
- 12) Check Damaged Parts - Before further use of the appliance, a guard or other part that is damaged should be carefully checked to determine that it will operate properly and perform its intended function. Check for alignment of moving parts, binding of moving parts, breakage of parts, mounting, and any other condition that may affect its operation. A guard or other part that is damaged should be properly repaired or replaced by an authorized service center unless indicated elsewhere in this manual.

FOR ALL BATTERY – OPERATED GARDENING APPLIANCES

1. Prevent unintentional starting. Ensure the switch is in the off-position before connecting to battery pack, picking up or carrying the appliance. Carrying the appliance with your finger on the switch or energizing appliance that have the switch on invites accidents.
2. Disconnect the battery pack from the appliance before making any adjustments, changing accessories, or storing appliance. Such preventive safety measures reduce the risk of starting the appliance accidentally.
3. Recharge only with the charger specified by the manufacturer. A charger that is suitable for one type of battery pack may create a risk of fire when used with another battery pack.
4. Use appliances only with specifically designated battery packs. Use of any other battery packs may create a risk of injury and fire.
5. When battery pack is not in use, keep it away from other metal objects, like paper clips, coins, keys, nails, screws or other small metal objects, that can make a connection from one terminal to another. Shorting the battery terminals together may cause burns or a fire.
6. Under abusive conditions, liquid may be ejected from the battery; avoid contact. If contact accidentally occurs, flush with water. If liquid contacts eyes, additionally seek medical help. Liquid ejected from the battery may cause irritation or burns.
7. Do not use a battery pack or appliance that is damaged or modified. Damaged or modified batteries may exhibit unpredictable behavior resulting in fire, explosion or risk of injury.
8. Do not expose a battery pack or appliance to fire or excessive temperature. Exposure to fire or temperature above 130 °C may cause explosion.
9. Follow all charging instructions and do not charge the battery pack or appliance outside of the temperature range specified in the instructions. Charging improperly or at temperatures outside of the specified range may damage the battery and increase the risk of fire.
10. Have servicing performed by a qualified repair person

using only identical replacement parts. This will ensure that the safety of the product is maintained.

11. Do not modify or attempt to repair the appliance or the battery pack (as applicable) except as indicated in the instructions for use and care.

ADDITIONAL SAFETY WARNINGS

IMPORTANT SAFETY INSTRUCTIONS

When using an electrical appliance, basic precautions should always be followed, including the following:

READ ALL INSTRUCTIONS BEFORE USING THIS APPLIANCE

WARNING - TO REDUCE THE RISK OF FIRE, ELECTRIC SHOCK, OR INJURY:

1. To reduce the risk of electric shock – Do not use on wet surfaces. Do not expose to rain. Store indoors.
2. Do not allow to be used as a toy. Close attention is necessary when used by or near children.
3. Use only as described in this manual. Use only manufacturer's recommended attachments.
4. If appliance is not working as it should, has been dropped, damaged, left outdoors, or dropped into water, return it to a service center.
5. Keep hair, loose clothing, fingers, and all parts of body away from openings and moving parts.
6. Do not charge the unit outdoors.
7. Use only the charger supplied by the









manufacturer to recharge.

8. Do not incinerate the appliance even if it is severely damaged. The batteries can explode in a fire.
9. Do not put any object into openings. Do not use with any opening blocked; keep free of dust, lint, hair, and anything that may reduce air flow.
10. Do not handle plug or appliance with wet hands.
11. Do not leave appliance when plugged in. Unplug from outlet when not in use and before servicing.
12. Turn off all controls before unplugging.
13. Use extra care when cleaning on stairs.

SAFETY WARNINGS FOR BATTERY PACK





- a) **Do not dismantle, open or shred battery pack.**
- b) **Do not expose battery pack to heat or fire. Avoid storage in direct sunlight.**
- c) **Do not short-circuit a battery pack. Do not store battery packs haphazardly in a box or drawer where they may short-circuit each other or be short-circuited by other metal objects.** When battery pack is not in use, keep it away from other metal objects, like paper clips, coins, keys, nails, screws or other small metal objects, that can make a connection from one terminal to another. Shorting the battery terminals together may cause burns or fire.
- d) **Do not remove battery pack from its original packaging until required for use.**
- e) **Do not subject battery pack to mechanical shock.**
- f) **In the event of battery leaking, do not allow the liquid to come in contact with the skin or eyes. If contact has been made, wash the affected area with copious amounts of water and seek medical advice.**
- g) **Observe the plus (+) and minus (-) marks on the battery pack and equipment and ensure correct use.**
- h) **Do not use any battery pack which is not designed for use with the equipment.**
- i) **Keep battery pack out of the reach of children.**
- j) **Seek medical advice immediately if a cell or battery has been swallowed.**
- k) **Always purchase the battery pack recommended by the device manufacturer for the equipment.**
- l) **Keep battery pack clean and dry.**
- m) **Wipe the battery pack terminals with a clean dry cloth if they become dirty.**

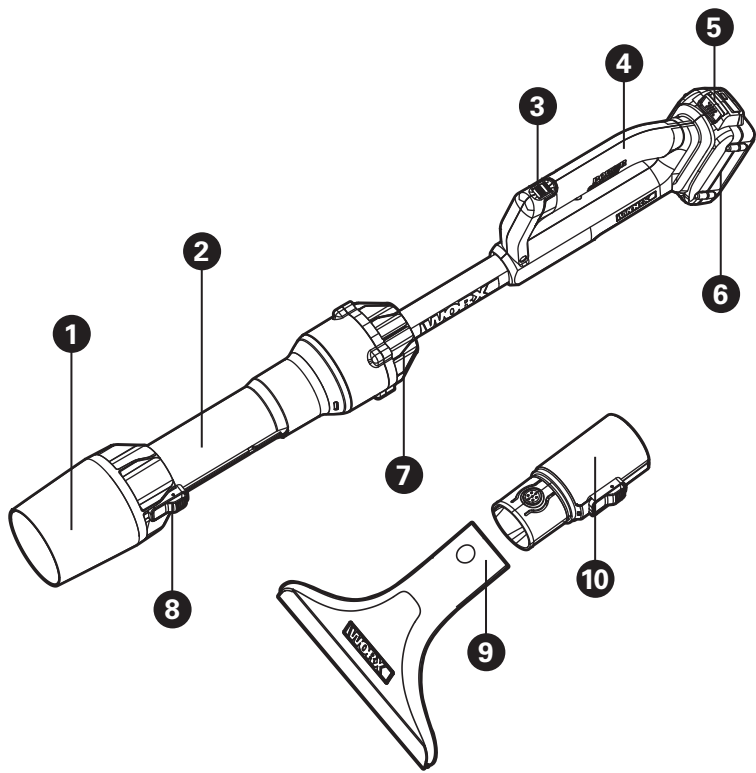
- n) **Battery pack need to be charged before use. Always use the correct charger and refer to the manufacturer's instructions or equipment manual for proper charging instructions.**
- o) **Do not leave battery pack on prolonged charge when not in use.**
- p) **After extended periods of storage, it may be necessary to charge and discharge the battery pack several times to obtain maximum performance.**
- q) **Battery pack gives its best performance when it is operated at normal room temperature (20 °C ± 5 °C).**
- r) **When disposing of battery packs, keep battery packs of different electrochemical systems separate from each other.**
- s) **Recharge only with the charger specified by Worx. Do not use any charger other than that specifically provided for use with the equipment. A charger that is suitable for one type of battery pack may create a risk of fire when used with another battery pack.**
- t) **Retain the original product literature for future reference.**
- u) **Use only the battery pack in the application for which it was intended.**
- v) **Remove the battery pack from the equipment when not in use.**
- w) **Dispose of properly.**

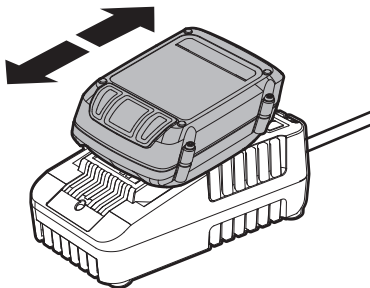
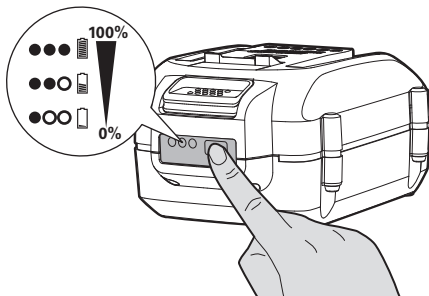
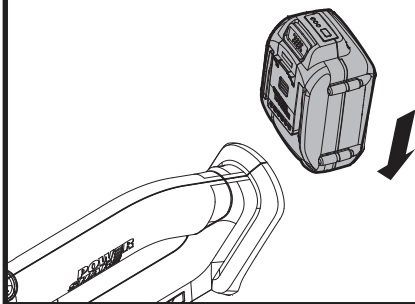
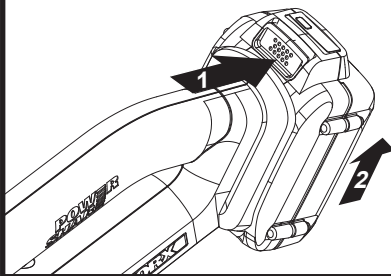
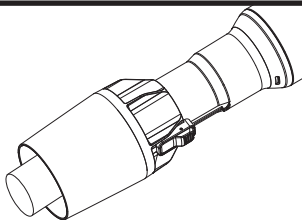
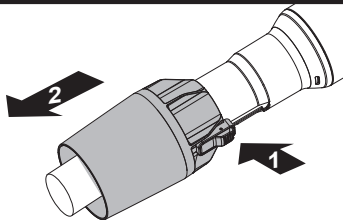
	Keep bystanders away
	Warning of hazard
	Do not use in the rain or leave outdoors while it is raining.
	Remove battery from the socket before carrying out any adjustment, servicing or maintenance.
	Batteries may enter water cycle if disposed improperly, which can be hazardous for ecosystem. Do not dispose of waste batteries as unsorted municipal waste.
	Do not burn
 Li-Ion	For Li-Ion battery, battery must be recycled
	<p>call2recycle®</p> <p>POSITEC Inc. has established a partnership with the RBRC Corporation to recycle any Positec batteries with the RBRC-call2recycle seal. For environmental protection, please do not discard batteries in the trash. After the batteries' life cycle is ended, then please call 1-800-822-8837 for a free service that will properly dispose of the battery.</p>

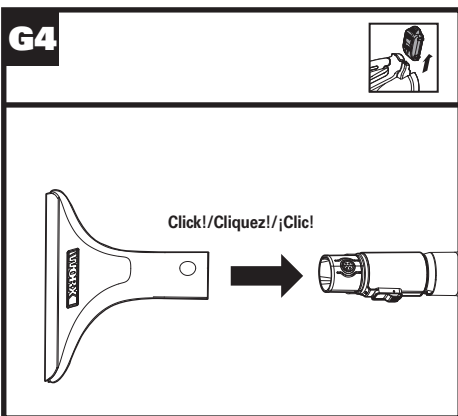
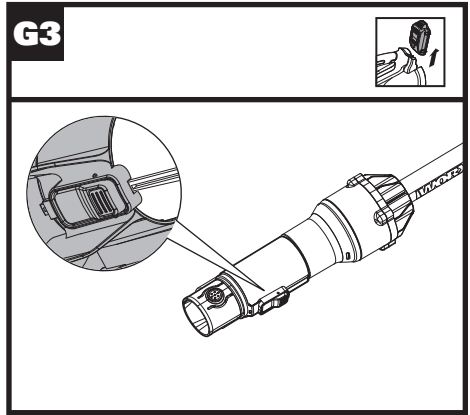
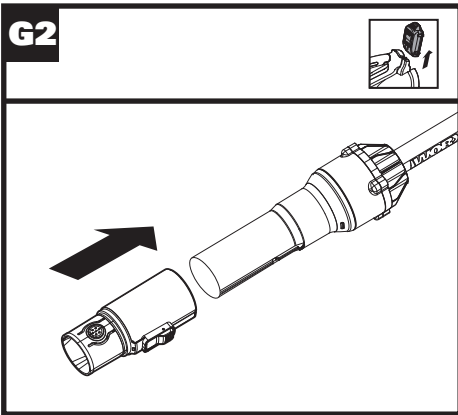
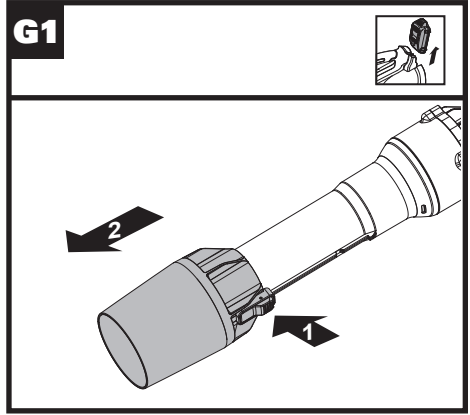
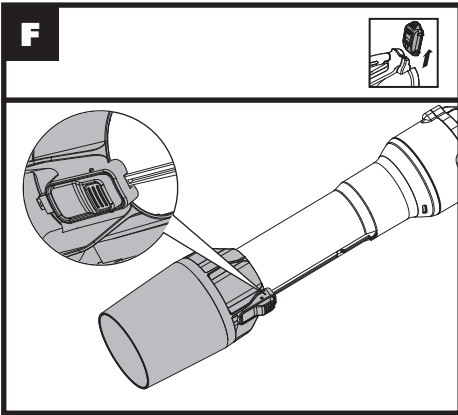
SAVE THESE INSTRUCTIONS

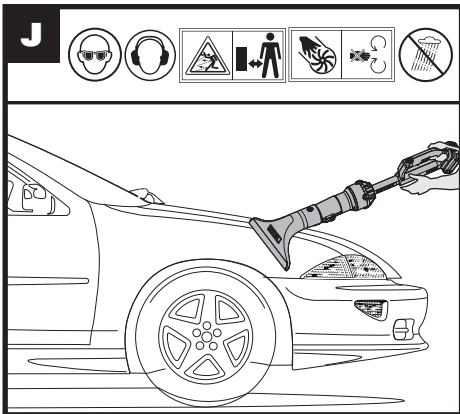
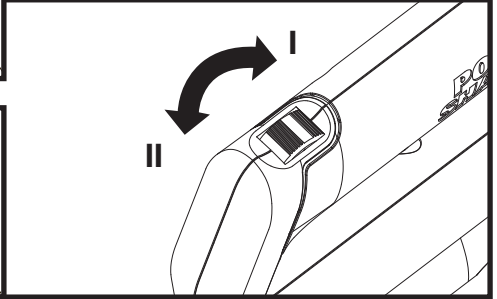
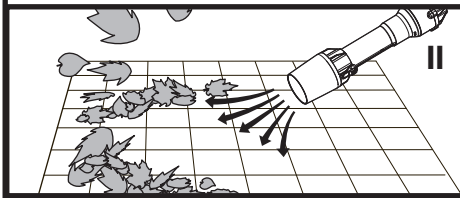
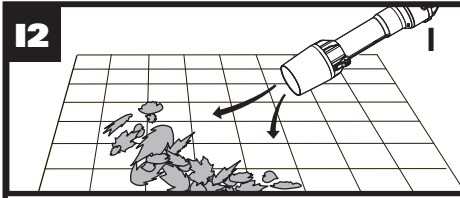
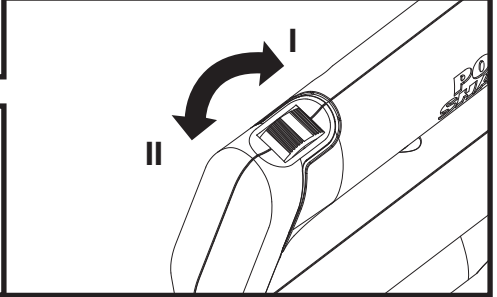
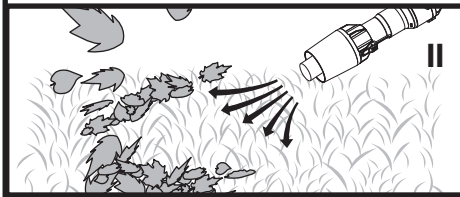
SYMBOL

	To reduce the risk of injury, user must read instruction manual
	Warning
	Wear ear protection
	Wear eye protection



A1**A2****B****C****D****E**





COMPONENT LIST

1. AIRSPEED SELECTOR NOZZLE
2. BLOWER TUBE
3. ON/OFF SWITCH
4. HANDLE
5. BATTERY PACK RELEASE BUTTON *
6. BATTERY PACK *
7. MOTOR HOUSING
8. NOZZLE RELEASE BUTTON
9. WIDE NOZZLE *
10. BLOWER TUBE ADAPTOR *

* Not all the accessories illustrated or described are included in standard delivery.

TECHNICAL DATA

	WG543	WG543.1	WG543.9
Voltage	20 V Max.**		
Maximum air volume	I: 305 cfm II: 410 cfm (Air volume mode)		
Maximum air velocity	I: 95 mph II: 130 mph (Air speed mode)		
Charging time	2 hrs (approx.)	/	
Machine weight	3.8 lbs	2.3 lbs	

** Voltage measured without workload. Initial battery voltage reaches maximum of 20 volts. Nominal voltage is 18 volts.

ACCESSORIES

	WG543	WG543.1	WG543.9
Battery pack	1 (WA3578)	1 (WA3578)	/
Charger	1 (WA3881)	1 (WA3881)	/
Wide nozzle (WA4060)	/	1	/
Gutterpro kit (WA4096)	/	1	/

Only use the appropriate accessories intended for this tool. Accessory information can be found on the product

packaging, at a Worx dealer or on our website at www.worx.com.

OPERATION

INTENDED USE

The blower is intended for residential use only. Use the blower outdoors to move yard debris as needed.

ASSEMBLY AND OPERATION

ACTION	FIGURE
ASSEMBLY	
Charging the battery pack Your battery pack is UNCHARGED, you must charge before use. More details can be found in charger's manual.	See Fig. A1, A2
WARNING! The charger and battery pack are specially designed to work together, so do not attempt to use any other devices. Never insert or allow metallic objects into your charger or battery pack connections because of an electrical failure and hazard will occur.	
Installing & removing the battery pack NOTE: Press the battery release button to release battery pack from your tool. After recharging, insert the battery pack into tool's battery port. A simple push and slight pressure will be sufficient.	See Fig. B, C
Air speed mode NOTE: The blower is in the air speed mode for default assembly.	See Fig. D
NOTE: The blower has two working modes: air speed mode and air volume mode. To change modes, depress the nozzle release button and slide backward for air speed mode. Slide forward for air volume mode. Choose a suitable mode according to your work. Air speed mode is recommended for cleaning in grass, as shown in Fig. I1. While air volume mode is recommended for cleaning on hard ground such as cement, as shown in Fig. I2.	
Air volume mode	See Fig. E, F
Attach the wide nozzle	See Fig. G1-G4
OPERATION	

Starting & Stopping



WARNING! The tool runs for a few seconds after it has been switched off.

Let the motor come to a complete standstill before setting the tool down.

See Fig. H

Adjusting the blowing speed / air volume with 2-speed switch

USER TIPS

- Hold the blower tube approximately 8" above the ground when operating the tool. Use a sweeping motion from side to side. Advance slowly keeping the accumulated debris/leaves in front of you.

- After blowing the debris/leaves into a pile, it is easy to dispose of the pile.

Caution!

- Do not blow hard objects such as nails, bolts, or rocks.
- Do not operate the blower near bystanders or pets.
- Use extra care when cleaning debris from stairs or other tight areas.
- Wear safety goggles or other suitable eye protection, long pants, and shoes.

See Fig. I1, I2

Wide nozzle application

See Fig. J

SÉCURITÉ DU PRODUIT



AVERTISSEMENT: Certaines des poussières produites en utilisant des outils électriques sont considérées par l'État de Californie comme susceptibles de provoquer le cancer, des anomalies congénitales et d'autres problèmes de reproduction. Voici des exemples de ces produits chimiques:

- Plomb issu de peinture à base de plomb;
- Silice cristalline issue de briques et du ciment et autres produits de maçonnerie;
- Arsenic et chrome issus de bois traité chimiquement.

Votre risque de ces expositions varie en fonction de la fréquence à laquelle vous effectuez ce travail. Pour réduire votre exposition à ces produits chimiques: travaillez dans une zone bien ventilée; portez un équipement de sécurité approuvé, tel que des masques antipoussières spécialement conçus pour éliminer les particules microscopiques par filtrage.



AVERTISSEMENT: Ce dispositif peut vous exposer aux produits chimiques notamment le plomb et le di-phthalate (de 2-éthylhexyle) (DEHP) qui sont reconnus dans l'État de Californie comme causant des cancers et des anomalies congénitales ou d'autres anomalies de la reproduction. Pour en savoir plus, veuillez consulter le site www.P65Warnings.ca.gov.

FOR BATTERY TOOLS

The ambient temperature range for the use and storage of tool and battery is 0 °C-45 °C (32 °F-113 °F).

The recommended ambient temperature range for the charging system during charging is 0 °C-40 °C (32 °F-104 °F).

CLEANING THE TOOL

Clean the tool regularly.



WARNING! Keep your product dry. Under no circumstances spray with water.

- To clean the tool, use only mild soap and a damp cloth.
- Do not use any type of detergent, cleaner or solvent which may contain chemicals that could seriously damage the plastic.
- Self lubricating bearings are used in your product, therefore lubrication is not required.



AVERTISSEMENT! Lisez et assimilez toutes les instructions. Le non-respect des instructions ci-après peut entraîner un risque de choc électrique, d'incendie et/ou de blessures graves.

POUR TOUS LES APPAREILS

- 1) Évitez les environnements dangereux. N'utilisez pas les appareils dans des environnements très humides ou mouillés.
- 2) N'utilisez pas sous la pluie.
- 3) Tenez les enfants éloignés. Tous les visiteurs devraient se tenir éloignés de l'aire de travail.
- 4) Habillez-vous convenablement. Ne portez pas des vêtements lâches ou des bijoux. Ils peuvent se prendre dans les pièces en mouvement. L'utilisation de gants de caoutchouc et chaussures épaisses est recommandée lors de travaux extérieurs. Portez une protection pour cheveux afin de contenir les cheveux longs.
- 5) Utilisez des lunettes de sécurité. Toujours porter un masque pour le visage ou pour la poussière si l'opération est poussiéreuse.
- 6) Utilisez le bon appareil. N'utilisez pas l'appareil pour tout autre travail que pour celui auquel il est destiné.
- 7) Ne forcez pas l'appareil. Il va faire un meilleur travail et

avec moins de risques de blessure en travaillant au taux de charge pour lequel il a été conçu.

- 8) N'essayez pas d'utiliser l'appareil hors de votre portée normale. Gardez votre équilibre et les pieds bien ancrés en tout temps.
- 9) Restez alerte. Faites attention à ce que vous faites. Utilisez le bon sens. N'utilisez pas l'appareil lorsque vous êtes fatigué.
- 10) Entrezposez à l'intérieur les appareils qui ne sont pas utilisés fréquemment. Lorsqu'inutilisés, les appareils devraient être entreposés à l'intérieur dans un endroit sec, élevé et gardé sous clef, hors de la portée des enfants.
- 11) Entretenez les appareils avec soins. Suivez les instructions pour lubrifier et changer les accessoires. Gardez les poignées sèches, propres, et libres d'huile et de graisse.
- 12) Vérifier les pièces endommagées. Avant d'employer l'appareil, une garde ou autre pièce endommagée devrait être soigneusement vérifiée afin de déterminer qu'elle fonctionnera correctement et exécutera la fonction pour laquelle elle a été conçue. Vérifier l'alignement des parties mobiles, leur pincement, la brisure de pièces, montage, et toute autre condition qui peut affecter son opération. Une garde ou autre pièce endommagée devrait être correctement réparée ou remplacée par un centre de service autorisé à moins d'avis contraire ailleurs dans ce manuel.

CONSIGNES DE SECURITE POUR TOUS LES APPAREILS DE JARDINAGE FONCTIONNANT AVEC UNE BATTERIE

1. Pour éviter le démarrage non intentionnel, s'assurer que le bouton de démarrage est en position d'arrêt avant de brancher l'appareil au chargeur ou de le prendre ou de le transporter. Un accident pourrait arriver si vous vous promenez avec l'appareil avec le doigt sur l'interrupteur ou sur le dispositif de charge dont l'interrupteur est en position de charge.
2. Débranchez le bloc de batterie de l'appareil avant de faire des réglages, de remplacer des accessoires ou de ranger l'appareil. De telles mesures de sécurité réduisent les risques de démarrer l'appareil accidentellement.
3. Rechargez le bloc batterie uniquement avec le chargeur spécifié par Worx. Un chargeur adapté à un type de batterie peut entraîner un risque d'incendie lorsqu'il est utilisé avec une autre batterie.
4. Utilisez les appareils uniquement avec les batteries spécifiquement indiquées. L'utilisation de toute autre batterie pourrait créer un risque de lésions et d'incendie.
5. Lorsque la batterie n'est pas utilisée, tenez-la à l'écart d'autres objets métalliques, tels que les trombones,

les pièces de monnaie, les clefs, les clous, les vis ou d'autres petits objets métalliques, qui peuvent établir la connexion d'une borne à l'autre. Court-circuiter les bornes de la batterie peut provoquer des brûlures ou un incendie.

6. Dans des conditions d'utilisation abusive, du liquide pourrait s'éjecter de la batterie; évitez tout contact. Si vous entrez accidentellement en contact avec le liquide, passez la partie du corps touchée sous le robinet. Si vos yeux entrent en contact avec le liquide, vous devez consulter immédiatement un médecin. Le liquide expulsé de la batterie peut causer des irritations ou des brûlures.
7. Ne pas utiliser une batterie ou un appareil qui est endommagé ou modifié. Les batteries endommagées ou modifiées peuvent présenter des comportements imprévisibles entraînant un incendie, une explosion ou le risque de blessures.
8. Ne pas exposer une batterie ou un appareil au feu ou à une température excessive. L'exposition au feu ou à une température au-dessus de 130°C pourrait causer une explosion.
9. Respecter toutes les consignes de charge et ne pas charger la batterie ou l'appareil en dehors de la plage de température indiquée dans les consignes. Mal charger ou à des températures en dehors de la plage indiquée peut endommager la batterie et accroître le risque d'incendie.
10. Faites faire le service par un technicien de réparation compétent qui ne doit utiliser que des pièces de rechange identiques. Ceci maintiendra la sécurité du produit.
11. Ne pas modifier ou essayer de réparer l'appareil ou la batterie (selon le cas) sauf comme indiqué dans les consignes d'utilisation et d'entretien.

INSTRUCTIONS SUPPLÉMENTAIRES CONCERNANT LA SÉCURITÉ

AVERTISSEMENT CONSIGNES DE SÉCURITÉ

Vous devez lorsque vous utilisez des appareils électriques toujours prendre des précautions élémentaires, y compris les suivantes:

LISEZ TOUTES LES INSTRUCTIONS AVANT

D'UTILISER CET APPAREIL

AVERTISSEMENT

– POUR RÉDUIRE LE RISQUE D'INCENDIE, D'ÉLECTROCUTION OU DE BLESSURE:

1. Pour réduire le risque d'électrocution. Ne pas utiliser sur surfaces mouillées. Garder le à l'abri de la pluie . Rangez à l'intérieur.
2. Ne pas le laisser utiliser comme un jouet. Une surveillance toute particulière est exigée quand il est utilisé par ou à proximité d'enfants.
3. N'utiliser que selon les instructions décrites dans le manuel. N'utiliser que selon les pièces jointes recommandées du fabricant.
4. Si l'appareil ne fonctionne pas comme il devrait, s'il a été tombé, endommagé, laissé dehors, ou immergé dans du liquide, apportez-le dans un centre de réparation.
5. Gardez les cheveux, les vêtements larges, les doigts, et toutes les parties du corps éloignés des ouvertures et des pièces en mouvement.
6. Ne pas recharger l'appareil sur une prise extérieure.
7. Employez uniquement le chargeur fourni par le fabricant pour la recharge de l'appareil.
8. Ne pas mettre l'appareil au feu même lorsqu'il est gravement endommagé, car cela pourrait faire exploser les piles.
9. Ne pas jeter d'objets dans les orifices. Ne pas utiliser avec un orifice bloqué; gardez libre de poussière, peluche, cheveux, et n'importe quoi qui peut réduire les flux d'air.
10. Ne touchez pas la prise ou l'appareil avec les mains mouillées.
11. Ne quittez pas l'appareil lorsqu'il est branché. Débranchez-le de la prise

murale lorsque vous ne l'utilisez pas ou avant de le réparer.








12. Eteignez toutes les commandes avant de débrancher l'appareil.
13. Soyez particulièrement précautionneux lorsque vous utilisez l'appareil dans des escaliers.

CONSIGNES GÉNÉRALES DE SÉCURITÉ CONCERNANT LA BATTERIE

- a) **Ne pas démonter, ouvrir ou déchiqeter le bloc batterie.**
- b) **Ne pas exposer le bloc batterie à la chaleur ou au feu. Evitez de ranger la batterie dans un endroit exposé à la lumière directe du soleil.**
- c) **Ne pas court-circuiter une batterie. Ne stockez pas les blocs batterie en vrac dans une boîte ou un tiroir où ils peuvent se court-circuiter ou être court-circuités par d'autres objets métalliques.** Lorsque le bloc batterie n'est pas utilisé, conservez-le loin d'autres objets métalliques, tels que des trombones, des pièces de monnaie, des clés, des clous, des vis ou d'autres objets métalliques de petite taille, qui pourraient établir une connexion d'un terminal à l'autre. Le fait de créer un court-circuit entre les bornes de la batterie peut causer des brûlures ou des incendies.
- d) **Ne pas retirer la batterie de son emballage d'origine avant utilisation dans l'appareil.**
- e) **Ne pas soumettre la batterie à des chocs mécaniques.**
- f) **En cas de fuite de la batterie, ne pas laisser le liquide entrer en contact avec la peau ou les yeux. Si un contact a été effectué, laver la zone touchée avec beaucoup d'eau et consulter un médecin.**
- g) **Respecter les marques plus (+) et moins (-) sur le bloc batterie et sur l'appareil et veiller à bien le positionner.**
- h) **Ne pas utiliser de batterie qui n'a pas été conçue pour être utilisée avec cet appareil.**
- i) **Maintenez la batterie hors de portée des enfants.**
- j) **Consultez immédiatement un médecin si une cellule ou une batterie a été avalée.**
- k) **Achetez toujours une batterie recommandée par le fabricant de l'appareil.**
- l) **Conservez le bloc batterie propre et sec.**
- m) **Essuyez les bornes de la batterie avec un chiffon propre et sec si elles deviennent sales.**
- n) **La batterie doit être chargée avant son utilisation. Utilisez toujours le chargeur adapté et reportez-vous aux instructions du fabricant ou au manuel de l'équipement pour suivre les instructions concernant la procédure de charge.**
- o) **Ne laissez pas le bloc batterie en charge prolongée lorsqu'il n'est pas utilisé.**
- p) **Après de longues périodes de stockage, il peut être**

nécessaire de charger et de décharger la batterie plusieurs fois pour obtenir des performances optimales.

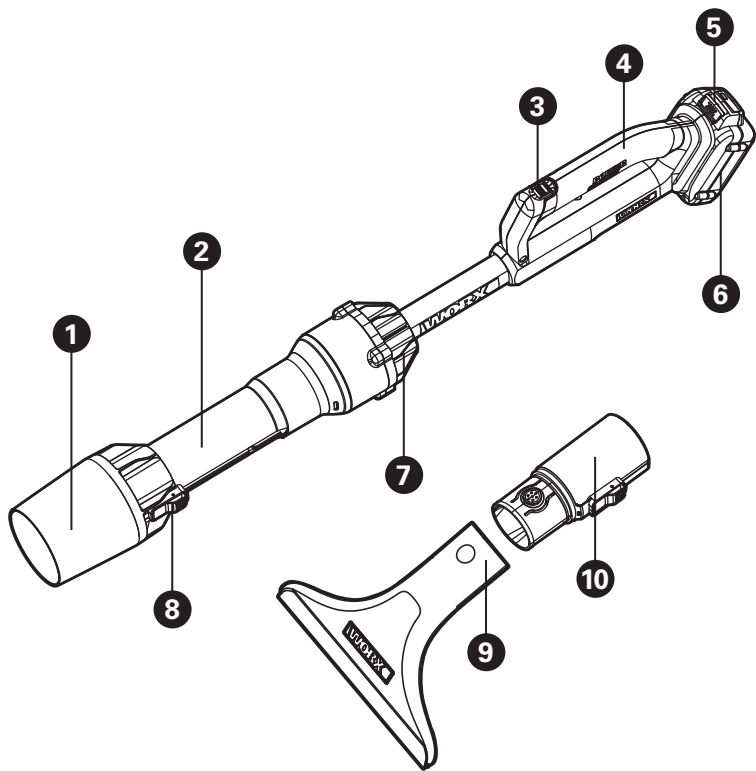
- q) **La batterie offre de meilleures performances lorsqu'elle est utilisée à température ambiante normale (68 °F ± 9 °F) (20 °C ± 5 °C).**
- r) **Lors de l'élimination des batteries, conservez les blocs batteries de différents systèmes électrochimiques séparés les uns des autres.**
- s) **Rechargez le bloc batterie uniquement avec le chargeur spécifié par Worx. N'utilisez pas un chargeur autre que celui spécifiquement conçu pour être utilisé avec l'équipement. Un chargeur adapté à un type de batterie peut entraîner un risque d'incendie lorsqu'il est utilisé avec une autre batterie.**
- t) **Conservez la documentation originale du produit pour référence ultérieure.**
- u) **Utilisez uniquement la batterie dans l'application pour laquelle elle a été prévue.**
- v) **Retirez la batterie de l'équipement lorsqu'il n'est pas utilisé.**
- w) **Éliminez la batterie de façon adéquate.**

	Avertissement de danger
	Ne pas utiliser l'appareil ou le laisser à l'extérieur lorsqu'il pleut.
	Retirer le bloc-piles de l'outil avant d'effectuer tout ajustement, entretien ou maintenance.
	Les batteries peuvent s'introduire dans le cycle de l'eau si elles sont éliminées de manière inappropriée, ce qui peut être dangereux pour l'écosystème. Ne pas éliminer les batteries usagées avec les déchets municipaux non triés.
	Ne pas jeter au feu
	Batterie Li-ion. Les batteries doivent être recyclées.
	call2recycle® POSITEC Inc. a formé un partenariat avec RBRC Corporation pour le recyclage des batteries Positec portant le sceau RBRC-call2recycle. Pour la protection de l'environnement, veuillez à ne pas jeter les batteries aux poubelles. À la fin du cycle de vie de la batterie, appelez 1-800-822-8837 pour un service gratuit qui mettra la batterie au rebut selon les règles de l'art.

CONSERVEZ CES INSTRUCTIONS

SYMBOLES

	Afin de réduire les risques de blessure, l'utilisateur doit lire ce mode d'emploi
	Avertissement
	Portez un protecteur oculaire
	Portez une protection auditive
	Ne laisser personne aux alentours



LISTE DES ÉLÉMENTS

1. BUSE DE SÉLECTEUR DE VITESSE
2. TUBE DE SOUFFLEUR
3. INTERRUPTEUR MARCHE/ARRÊT
4. POIGNÉE
5. VOYANT DE LA BATTERIE *
6. BLOCS-PILES *
7. LOGEMENT DU MOTEUR
8. BOUTON DE DÉVERROUILLAGE DE BUSE
9. BUSE LARGE *
10. ADAPTATEUR POUR LE TUBE DE SOUFFLERIE *

* Les accessoires illustrés ou décrits ne sont pas tous compris dans le cadre de la livraison standard.

DONNÉES TECHNIQUES

	WG543	WG543.1	WG543.9
Tension	20 V Max**		
Débit d'air maximal	I: 518 m ³ /h (305 cfm) II: 697 m ³ /h (410 cfm) (Mode volume d'air)		
Vitesse maximale de l'air	I: 153 km/h (95 mph) II: 209 km/h (130 mph) (Mode de vitesse d'air)		
Temps de recharge	2 heures (environ.)	/	
Poids de la machine	1.7 kg (3.8lbs)	1.1 kg (2.3 lbs)	

** Tension mesurée hors fonctionnement. La tension initiale de la batterie atteint le maximum de 20 volts. La tension nominale est de 18 volts.

ACCESSOIRES

	WG543	WG543.1	WG543.9
Blocs-piles	1(WA3578)	1(WA3578)	/
Chargeur	1(WA3881)	1(WA3881)	/
Buse large (WA4060)	/	1	/
Kit Gutterpro (WA4096)	/	1	/

N'utilisez que les accessoires compatibles à cet outil. Les

informations des accessoires peuvent être trouvées sur l'emballage du produit, chez un détaillant Worx ou sur notre site Web www.worx.com.

FONCTIONNEMENT

UTILISATION PRÉVUE

La souffleuse est conçue pour une utilisation privée uniquement. Utilisez la souffleuse en extérieur pour déplacer des débris selon les besoins.

ASSEMBLAGE & FONCTIONNEMENT

ACTION	SCHEMA
ASSEMBLAGE Chargement de la batterie Votre bloc-pile n'est PAS CHARGÉ. Il faut donc le recharger une fois avant d'utiliser l'outil. Des informations supplémentaires sont disponibles dans le manuel du chargeur AVERTISSEMENT! Le chargeur et le bloc-piles ont été conçus spécifiquement pour travailler ensemble, alors ne tentez pas d'utiliser d'autres dispositifs. Ne jamais insérer ou permettre que des objets métalliques soient introduits dans les bornes de connexions de votre chargeur ou bloc-pile, parce qu'une défaillance électrique et un danger vont se produire.	Voir Fig. A1, A2
Installation et remplacement du bloc de batterie REMARQUE: Enfoncez le système de verrouillage de la batterie et retirez la batterie de l'outil. Une fois rechargée, remplacez la batterie dans son emplacement. Une simple pression d'insertion sera suffisante.	Voir Fig. B, C
Mode de vitesse d'air REMARQUE: le souffleur est en mode vitesse d'air en réglage par défaut. REMARQUE: le ventilateur a deux modes de fonctionnement: mode vitesse d'air et mode volume d'air. Pour changer de mode, appuyez sur le bouton de déverrouillage de la buse et faites glisser vers l'arrière pour passer en mode vitesse d'air. Faites glisser vers l'avant pour passer en mode volume d'air. Choisissez un mode approprié en fonction de votre travail. Le mode de vitesse d'air est recommandé pour le nettoyage dans l'herbe, comme indiqué sur la Fig. 11. Alors que le mode volume d'air est recommandé pour le nettoyage sur un sol dur comme le ciment, comme le montre la Fig. 12.	Voir Fig. D
Mode volume d'air	Voir Fig. E, F

Fixez la buse large	Voir Fig. G1-G4
FONCTIONNEMENT	
Démarrage & Arrêt	Voir Fig. H
<p> AVERTISSEMENT! L'outil fonctionne encore pendant quelques secondes une fois qu'il est éteint. Laissez le moteur atteindre un arrêt complet avant de poser l'outil à terre.</p> <p>Réglage de la vitesse de soufflage / volume d'air avec interrupteur à 2 vitesses</p> <p>CONSEILS D'UTILISATION</p> <p>-Tenez le tube d'éjection approximativement à 8" au-dessus du sol durant le fonctionnement de l'outil.</p> <p>Effectuez un mouvement de balayage d'un côté à l'autre. Avancez lentement tout en gardant le tas de feuilles et de débris devant vous.</p> <p>- Il est plus facile de jeter un tas de débris et de feuilles une fois qu'il est rassemblé.</p> <p>Attention!</p> <ul style="list-style-type: none"> - Ne soufflez pas des objets durs comme des clous, des boulons ou des pierres. - N'opérez pas la souffleuse à proximité de spectateurs ou d'animaux. - Prenez des précautions particulières lorsque vous nettoyez des débris sur des escaliers ou autres zones étroites. - Portez des lunettes de sécurité ou autre protection adaptée pour les yeux, un pantalon et des chaussures. 	Voir Fig. I1, I2
Application de buse large	Voir Fig. J

POUR LES OUTILS DE LA BATTERIE

La plage de température ambiante pour l'utilisation et le stockage de l'outil et de la batterie est 0 °C à 45 °C (32 °F-113 °F).

La plage de température ambiante recommandée pour le système de charge pendant la charge est de 0 °C à 40 °C (32 °F-104 °F).


NETTOYAGE DE L'OUTIL

Nettoyez régulièrement l'outil.

 **Avertissement! Gardez le produit au sec. Ne l'arrosez jamais avec de l'eau.**


- Pour nettoyer l'outil, utilisez une solution d'eau savonneuse et un chiffon humide.
- N'utilisez aucun type de détergeant, de nettoyant ou de solvant qui contient des agents chimiques risquant d'endommager le plastique de l'outil.
- Des roulements auto-lubrifiés sont installés dans l'outil. Aucune lubrification n'est donc requise.

SEGURIDAD DEL PRODUCTO


 **ADVERTENCIA:** El polvo originado por la utilización de herramientas motorizadas contiene químicos que, según el Estado de California, causan cáncer, defectos congénitos y otros daños reproductivos. Algunos ejemplos de esos productos químicos son:

- El plomo de las pinturas a base de plomo;
- La sílice cristalina de los ladrillos, del cemento y de otros productos de albañilería;
- El arsénico y el cromo de la madera tratada químicamente.

El riesgo que se corre a causa del contacto con esos productos varía según la frecuencia con que usted realice este tipo de trabajos. Con el fin de reducir su exposición a esas sustancias químicas: trabaje en un área bien ventilada; utilice un equipo de seguridad adecuado, tal como una máscara contra el polvo especialmente diseñada para filtrar partículas microscópicas.

 **ADVERTENCIA:** Este producto puede exponerlo a sustancias químicas, como plomo y di (2-etilhexilo) ftalato (DEHP), que el estado de California reconoce como causantes de cáncer y defectos de nacimiento u otros daños reproductivos. Para más información visite www.P65Warnings.ca.gov.

INSTRUCCIONES DE SEGURIDAD

 **ADVERTENCIA:** Lea y comprenda todas las instrucciones. El no seguir todas las instrucciones a continuación puede ocasionar descargas eléctricas, incendios y/o heridas graves.

PARA TODAS LAS HERRAMIENTAS:

- 1) Evite ambientes peligrosos. No utilice las herramientas en lugares húmedos o mojados.
- 2) No trabaje bajo la lluvia.
- 3) Mantenga alejados a los niños. Todos los visitantes deben mantenerse a distancia del área de trabajo.
- 4) Vístase apropiadamente. No use ropas sueltas o alhajas, ya que pueden quedar atrapadas en las piezas móviles. Cuando se trabaja al aire libre se recomienda el uso de guantes de goma y calzado resistente. Emplee protección adecuada para contener el cabello largo.
- 5) Utilice gafas de seguridad. Emplee siempre máscara para la cara o máscara anti-polvo en operaciones donde se emite mucho polvo.
- 6) Utilice la herramienta correcta. Emplee la herramienta únicamente para la finalidad para la cual fue

- diseñada.
- 7) No fuerce la herramienta. Hará un trabajo mejor y más seguro a la velocidad para la cual fue diseñada.
 - 8) No se extralimite. Manténgase firme y con buen equilibrio en todo momento.
 - 9) Permanezca alerta. Ponga siempre atención en lo que está haciendo. Utilice el sentido común. No opere la herramienta cuando esté cansado.
 - 10) Guarde las herramientas que no usa en lugares cerrados. Cuando no se encuentran en uso, las herramientas deben guardarse en un lugar seco, elevado o cerrado con llave, lejos del alcance de los niños.
 - 11) Mantenga la herramienta con cuidado. Siga las instrucciones para la lubricación y el cambio de accesorios. Mantenga los mangos secos, limpios y libres de aceite y grasa.
 - 12) Verifique las piezas dañadas. Las guardas protectoras u otras partes dañadas deben verificarse cuidadosamente antes de cualquier uso futuro de la herramienta, a fin de determinar si funcionarán correctamente y realizarán la función prevista. Compruebe que las piezas móviles se encuentren alineadas y correctamente ajustadas, que no haya rotura de piezas, de montaje o cualquier otra condición que pueda afectar su funcionamiento. Una guarda protectora u otra pieza que se encuentre dañada debe ser reparada o sustituida correctamente en un centro de servicio autorizado, a menos que en este manual de instrucciones se indique lo contrario.

corto las terminales de la batería puede causar quemaduras o un incendio.

6. Bajo condiciones de abuso, puede expulsarse líquido de la batería; evite el contacto. Si ocurre contacto accidentalmente, lave con agua. Si el líquido entra en contacto con los ojos, busque ayuda médica adicional. El líquido expulsado de la batería puede causar irritación o quemaduras.
7. No use un paquete de batería o aparato dañado o modificado. Las baterías dañadas o modificadas pueden presentar un comportamiento impredecible que puede provocar un incendio, una explosión o un riesgo de lesiones.
8. No exponga la batería o el artefacto al fuego ni a temperaturas excesivas. La exposición al fuego o la temperatura por encima de 130°C pueden causar una explosión.
9. Siga todas las instrucciones de carga y no cargue la batería o el dispositivo fuera del rango de temperatura especificado en las instrucciones. La carga incorrecta o a temperaturas fuera del rango especificado puede dañar la batería y aumentar el riesgo de incendio.
10. Pida que una persona de reparación calificada dé servicio usando únicamente partes de reemplazo idénticas. Esto garantizará que se mantenga la seguridad del producto.
11. No modifique ni intente reparar el aparato o el paquete de baterías (conforme sea aplicable), excepto como se indica en las instrucciones de uso y cuidado.

ADVERTENCIAS DE SEGURIDAD PARA LAS HERRAMIENTAS DE JARDINERÍA A BATERÍA:

1. Evite el encendido inadvertido. Asegúrese que el interruptor esté en la posición de apagado antes de conectar el paquete de batería, al levantar o transportar el aparato. Transportar el aparato con su dedo sobre el interruptor o energizar el aparato que tenga el interruptor encendido provoca accidentes.
2. Desconecte el paquete de batería del aparato antes de realizar cualquier ajuste, cambiar los accesorios, o guardar el aparato. Tales medidas preventivas de seguridad reducen el riesgo de encender el aparato por accidente.
3. Recargue únicamente con el cargador especificado por WORX. Un cargador que es adecuado para un tipo de paquete de batería puede crear un riesgo de incendio cuando se usa con otro paquete de batería.
4. Use los electrodomésticos sólo con paquetes de baterías específicamente diseñados. El uso de cualquier otro paquete de baterías puede crear un riesgo de lesiones e incendios.
5. Cuando la batería no esté en uso, manténgala alejada de otros objetos metálicos, como sujetadores de papel, monedas, llaves, clavos, tornillos u otros objetos metálicos pequeños, que puedan establecer una conexión de una terminal a otra. Poner en

INFORMACIÓN DE SEGURIDAD ADICIONAL DE LA HERRAMIENTA

ADVERTENCIA INSTRUCCIONES DE SEGURIDAD

Al utilizar una herramienta eléctrica, se deben tener en cuenta precauciones básicas, incluidas las siguientes:

LEA TODAS LAS INSTRUCCIONES ANTES DE UTILIZAR ESTA HERRAMIENTA

ADVERTENCIA -

**PARA REDUCIR EL RIESGO DE INCENDIO,
DESCARGA ELÉCTRICA O LESIÓN:**

1. Para reducir el riesgo de descarga eléctrica, no exponga el aparato a la lluvia. Consérvelo en un entorno interior. No lo utilice sobre superficies mojadas.
2. No permita que se utilice el aparato como un juguete. Preste atención si se utiliza por o en las cercanías de niños.
3. Utilice el aparato únicamente como se describe en el manual. Utilice sólo los componentes recomendados por el fabricante.
4. Si el aparato no funciona como debiera, se ha caído, queda en el exterior o se sumerge en agua, envíelo al departamento de servicio técnico.
5. Mantenga el pelo, las prendas holgadas, los dedos y todas las demás partes del cuerpo alejadas de las aberturas y partes móviles.
6. No cargue la unidad en exteriores.
7. Utilice sólo el cargador suministrado por el fabricante para realizar la recarga.
8. No incinere el producto incluso si presenta daños graves. Las baterías pueden explotar en un incendio.
9. No coloque ningún objeto sobre las aberturas. No utilice el aparato bloqueando ninguna abertura. Mantenga el aparato limpio de polvo, hebras, pelo o cualquier otra cosa que pudiera reducir el flujo de aire.
10. No manipule el enchufe ni el aparato con las manos mojadas.
11. No abandone el aparato cuando se encuentre conectado. Desconéctelo de la toma si no se encuentra en uso y antes de repararlo.
12. Desactive todos los controles antes de desconectar.
13. Tenga especial cuidado si realiza la limpieza montado sobre una escalera.

ADVERTENCIAS DE SEGURIDAD GENERAL PARA EL PAQUETE DE BATERÍA





- a) **No desensamble, abra o triture el paquete de batería.**
- b) **No exponga el paquete de batería a calor o fuego. Evite guardar a la luz directa del sol.**
- c) **No ponga en corto circuito el paquete de batería. No guarde el paquete de batería de forma aleatoria en una caja o cajón donde puedan ponerse en corto circuito entre sí o ponerse en corto circuito por otros objetos metálicos.**
Cuando el paquete de batería no esté en uso, manténgalo alejado de otros objetos metálicos, como sujetadores de papel, monedas, llaves, clavos, tornillos u otros objetos metálicos pequeños que puedan establecer una conexión de una terminal a otra. El corto circuito de las terminales de la batería puede causar quemaduras o incendios.
- d) **No retire el paquete de la batería de su empaque original hasta que se requiera para el uso.**
- e) **No someta el paquete de batería a impacto mecánico.**
- f) **En el caso de fuga de la batería, no permita que el líquido entre en contacto con la piel o los ojos. Si hay contacto, lave el área afectada con bastante agua y busque atención médica.**
- g) **Observe las marcas positiva (+) y negativa (-) en la parte posterior de la batería y el equipo para asegurar su uso correcto.**
- h) **No use ningún paquete de batería que no esté diseñado para uso con el equipo.**
- i) **Mantenga el paquete de batería fuera del alcance de los niños.**
- j) **Busque atención médica de inmediato si se ingiere una celda o una batería.**
- k) **Siempre adquiera el paquete de batería recomendado por el fabricante del dispositivo para el equipo.**
- l) **Mantenga el paquete de batería limpio y seco.**
- m) **Limpie las terminales del paquete de batería con una tela seca limpia su se ensucian.**
- n) **El paquete de batería se necesita cargar antes del uso. Siempre use el cargador correcto y consulte las instrucciones del fabricante o el manual del equipo para saber las instrucciones correctas de carga.**
- o) **No deje el paquete de batería en carga prolongada cuando no esté en uso.**
- p) **Después de periodos prolongados de almacenamiento, puede ser necesario cargar y descargar el paquete de batería varias veces para obtener el desempeño máximo.**
- q) **El paquete de batería proporciona su mejor desempeño cuando se opera en temperatura ambiente normal (68°F ± 9°F).**
- r) **Cuando deseche los paquetes de batería, mantenga los paquetes de batería de diferentes sistemas electromecánicos separados entre sí.**
- s) **Recargue únicamente con el cargador**

especificado por Worx. No use cargadores que no sean los específicamente suministrados para uso con el equipo. Un cargador que es adecuado para un tipo de paquete de batería puede crear un riesgo de incendio cuando se usa con otro paquete de batería.

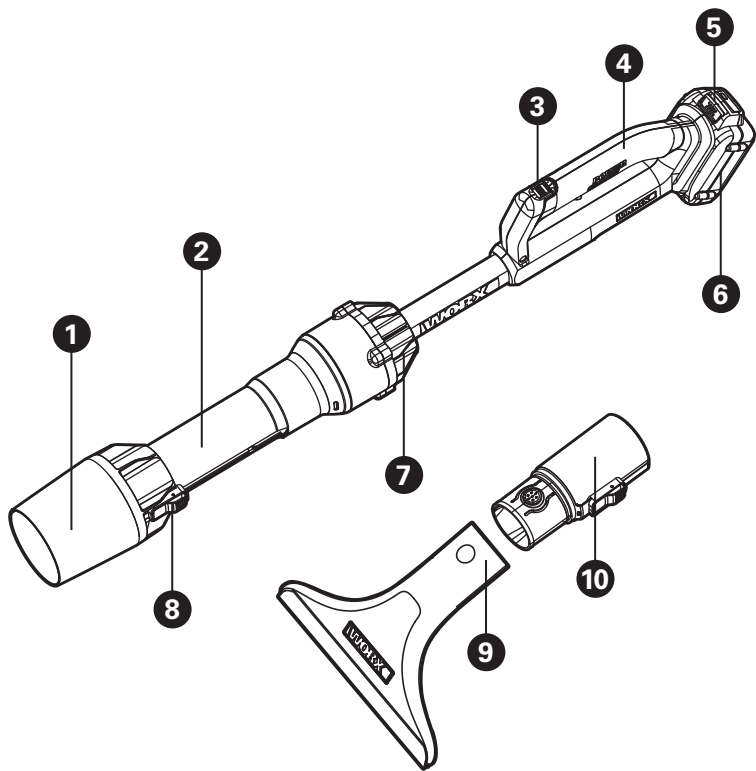
- t) Conserve la literatura el producto original para referencia futura.
- u) Sólo use el paquete de batería en la aplicación para la que está diseñado.
- v) Retire el paquete de batería del equipo cuando no esté en uso.
- w) Deséchelo adecuadamente.

CONSERVE ESTAS INSTRUCCIONES

SÍMBOLOS

	Para reducir el riesgo de lesiones, el usuario deberá leer el manual de instrucciones
	Advertencia
	Emplee protección auditiva
	Use lentes de seguridad
	Mantenga alejadas a las personas que se encuentran cerca
	Advertencia de peligro

	No utilice bajo la lluvia o deje en exteriores mientras llueve.
	Retire el Paquete de la batería de la herramienta antes de realizar cualquier ajuste, servicio o mantenimiento.
	Las baterías pueden entrar al ciclo de agua si se desechan incorrectamente, lo que puede ser peligroso para el ecosistema. No deseché las baterías de desperdicio como desperdicio municipal sin clasificar.
	No arrojar al fuego
	Batería de iones de litio. La batería deberá reciclarse. Li-Ion
	call2recycle® POSITEC Inc. ha establecido una asociación con la empresa RBRC para el reciclaje de todas las baterías Positec que posean el sello RBRC-call2recycle. Para contribuir con la protección del medio ambiente, no deseché las baterías como residuos normales. Después de que haya finalizado el ciclo de vida útil de la batería, comuníquese al 1-800-822-8837 para acceder al servicio gratuito.



LISTA DE PARTES

1.	BOQUILLA SELECTORA DE LA VELOCIDAD DEL AIRE
2.	TUBO SOPLADOR
3.	INTERRUPTOR DE ENCENDIDO/APAGADO
4.	MANGO
5.	LENGÜETAS DE LIBERACIÓN DE LAS BATERÍAS *
6.	PAQUETE DE BATERÍAS *
7.	CUBIERTA DEL MOTOR
8.	BOTÓN DE LIBERACIÓN DE LA BOQUILLA
9.	BOQUILLA ANCHA *
10.	ADAPTADOR DEL TUBO DEL SOPLADOR *

* No todos los accesorios ilustrados o descritos se incluyen junto con el producto estándar.

DATOS TÉCNICOS

	WG543	WG543.1	WG543.9
Voltios	20 V Max.**		
Volumen máximo de aire	I: 305 cfm (518 m ³ /h) II: 410 cfm (697 m ³ /h) (Modo de volumen de aire)		
Velocidad máxima de aire	I: 95 mph (153 km/h) II: 130 mph (209 km/h) (Modo de velocidad de aire)		
Tiempo de Carga	2 horas (aprox.)	/	
Peso de la máquina	3.8 lbs (1.7 kg)	2.3 lbs (1.1 kg)	

** Voltaje medido sin carga de trabajo. El voltaje inicial de la batería alcanza un máximo de 20 V. El voltaje nominal es 18 V.

ACCESORIOS

	WG543	WG543.1	WG543.9
Batería	1 (WA3578)	1 (WA3578)	/
Cargador	1 (WA3881)	1 (WA3881)	/
Boquilla ancha (WA4060)	/	1	/

El kit de canalones (WA4096)	/	1	/
------------------------------	---	---	---

Sólo utilice los accesorios apropiados diseñados para esta herramienta. Puede encontrar información sobre los accesorios en el embalaje del producto, consultando a un distribuidor de Worx o en nuestro sitio Web: www.worx.com.

FUNCIONAMIENTO

USO DESTINADO

El soplador se encuentra diseñado sólo para uso residencial. Utilice el soplador en exteriores para mover los desechos cuando sea necesario.


ENSAMBLE & FUNCIONAMIENTO

ACCIÓN	FIGURA
ENSAMBLE	
<p>Carga de la batería Su batería está DESCARGADA y debe cargarla antes de usarla. Se pueden encontrar más detalles en el manual del cargador</p> <p> ADVERTENCIA! Tanto el cargador como el pack de batería están diseñados para operar conjuntamente, de modo que no debe utilizarse ningún otro dispositivo. Nunca inserte objetos metálicos en las conexiones del cargador o del pack de batería, pues incurriría en peligro de avería eléctrica.</p>	<p>Vea la Fig. A1, A2</p>
<p>Instalación y extracción de la batería NOTA: Presione la traba de liberación de la batería y extráigala de la herramienta. Luego de la recarga, deslice la batería en el puerto para la batería de la herramienta. Basta con deslizarla y ejercer una leve presión.</p>	<p>Vea la Fig. B, C</p>
<p>Modo de velocidad de aire NOTA: La sopladora se encuentra en el modo de velocidad de aire para el ensamble predeterminado. NOTA: La sopladora tiene dos modos de funcionamiento: modo de velocidad de aire y modo de volumen de aire. Para cambiar el modo, presione el botón de liberación de la boquilla y deslice hacia atrás para el modo de velocidad de aire. Deslice hacia adelante para el modo de volumen de aire. Seleccione un modo adecuado de acuerdo con su trabajo. Se recomienda el modo de velocidad de aire para limpiar en el césped, tal como se muestra en la Fig. I1. El modo de volumen de aire se recomienda para limpiar en superficies rígidas, como cemento, tal como se muestra en la Fig. I2.</p>	<p>Vea la Fig. D</p>

Modo de volumen de aire	Vea la Fig. E, F
Adjunte la boquilla ancha	Vea la Fig. G1-G4

FUNCIONAMIENTO

Encendido y Apagado

 **ADVERTENCIA!** La herramienta seguirá funcionando durante algunos segundos luego de que haya sido apagada. Espere a que el motor se detenga por completo antes de apoyar la herramienta.

Vea la Fig. H

Ajuste de la velocidad de soplado/columna de aire con el interruptor de 2 velocidades
SUGERENCIAS DE USUARIO
 - Sostenga el tubo de soplado a aproximadamente 8" por encima del suelo mientras utiliza la herramienta.
 Realice un movimiento de barrido de lado a lado.
 Avance lentamente manteniendo los residuos/hojas acumuladas frente a usted.
 - Después de crear una pila con las hojas/residuos, será más fácil deshacerse de la pila.

Vea la Fig. I1, I2

Precaución!

- **No realice el soplado de objetos duros como clavos, pernos o rocas.**
- **No utilice el soplador cerca de personas o mascotas.**
- **Tenga sumo cuidado cuando se realice la limpieza de desechos en escaleras u otras áreas pequeñas.**
- **Utilice anteojos de seguridad u otra protección ocular apropiada, pantalones largos y zapatos.**

Aplicación de la boquilla ancha

Vea la Fig. J

circunstancia.

- **Para limpiar la herramienta, utilice sólo jabón suave y un paño húmedo.**
- **No utilice ningún tipo de detergente, limpiador o disolvente que pueda contener productos químicos. Podría dañar seriamente la carcasa de plástico.**
- **Su producto utiliza rodamientos autolubricados, por lo que no necesitan lubricación.**

PARA HERRAMIENTAS DE BATERÍA

El rango de temperatura ambiente para uso y almacenamiento de la herramienta y la batería es de 0 °C- 45 °C (32 °F-113 °F).

El rango de temperatura ambiente recomendado para el sistema de carga durante la carga es de 0 °C- 40 °C (32 °F-104 °F).

LIMPIAR LA HERRAMIENTA

Limpie la herramienta con regularidad.

 **ADVERTENCIA! Mantenga limpio el producto. No pulverice agua sobre él bajo ninguna**





www.worx.com

Copyright © 2020, Positec. All Rights Reserved.

Copyright © 2020, Positec. Tous droits réservés.

© Derechos reservados 2020, Positec. Todos los derechos reservados.

AR01528800