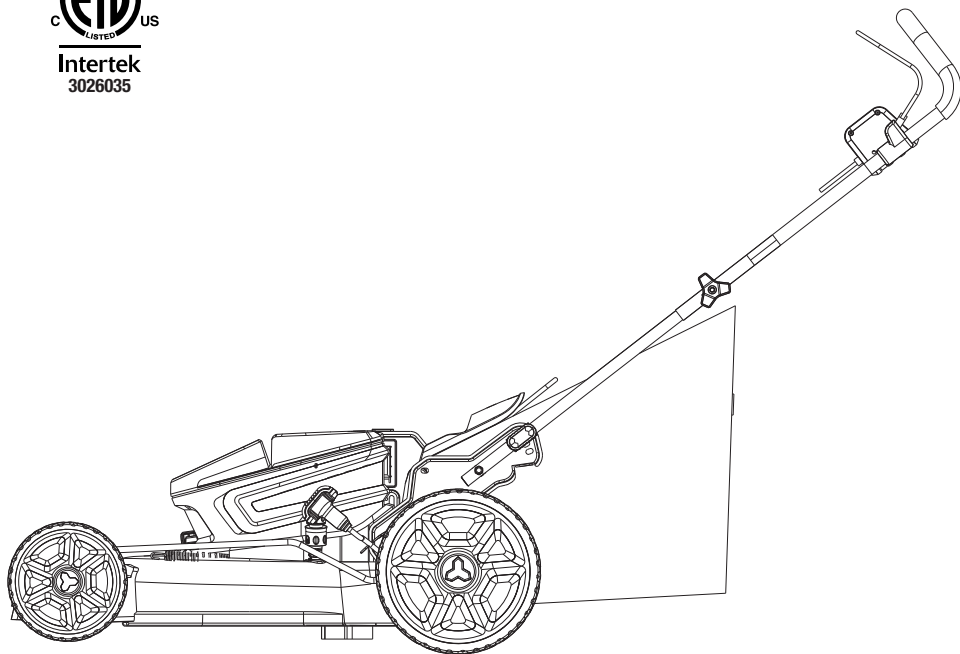




YARDWORKS^{®/MD}

20" (51 CM) BRUSHLESS 3-IN-1 LAWN MOWER

model number 060-1981-4 | contact us: 1.866.523.5218



IMPORTANT:

Read and follow all safety rules and operating instructions before using this product.

**Instruction
Manual**



For problems or questions, **DO**
NOT RETURN TO STORE. Please
contact one of our Customer
Service Agents who would be
happy to assist you.

For Customer Assistance Please Call:



CANADA: 1.866.523.5218

Introduction	4
Safety Instructions and Symbols	5
Product Specifications	12
Product Diagram	13
Assembly	14
Operation	20
Maintenance	25
Storage	27
Troubleshooting	28
Exploded View	29
Parts List	30
Warranty	31



Please do not operate garden equipment near children. This could lead to severe injury or death.

INTRODUCTION

Congratulations on your purchase of your new Yardworks® tool. It has been designed, engineered and manufactured to give you the best possible dependability and performance.

Should you experience any problem you cannot easily remedy, please contact our Yardworks® customer service line at 1.866.523.5218.

PLEASE READ AND RETAIN THIS INSTRUCTION MANUAL. These instructions will enable you to assemble and maintain your appliance properly. **ALWAYS** observe the “SAFETY RULES”.

The instruction manual was designed to conveniently help you get your purchase ready to use so there's less risk of damaging it and to provide you with enough information for you to get familiar with your product's controls and features and to operate it safely.

SAFETY FIRST



CAUTION: The operation of lawn equipment can result in foreign objects thrown into the eyes, which can result in SEVERE EYE INJURY. ALWAYS wear safety glasses or eye shields while operating your lawn equipment or performing any adjustments or repairs. We recommend standard safety glasses or a wide vision safety mask worn over spectacles.



Please read this manual carefully and make sure you understand the instructions before using the machine.

Model number: _____

Serial number: _____

Date of purchase (MM/DD/YYYY): _____

Notes: _____

READ ALL INSTRUCTIONS**FOR ALL LAWN MOWERS**

- 1) Avoid dangerous environments — Don't use lawn mowers in damp or wet locations.
- 2) Don't use in rain.
- 3) Keep children away — All visitors should be kept a safe distance from work area.
- 4) Dress properly — Do not wear loose clothing or jewellery. They can be caught in moving parts. Use of rubber gloves and footwear is recommended when working outdoors.
- 5) Use safety glasses — Always use face or dust mask if operation is dusty.
- 6) Use right appliance — Do not use lawn mower for any job except that for which it is intended.
- 7) Don't force the lawn mower — It will do the job better and safer at the rate for which it was designed.
- 8) Don't overreach — Keep proper footing and balance at all times.
- 9) Stay alert — Watch what you are doing. Use common sense. Do not operate lawn mower when you are tired.
- 10) Store idle lawn mower indoors — When not in use, lawn mower should be stored in an indoor dry and locked-up place — out of reach of children.
- 11) Maintain lawn mower with care — Keep cutting edges sharp and clean for best and safest performance. Follow instructions for lubricating and changing accessories. Keep handles dry, clean, and free from oil and grease.
- 12) Keep guards in place and in working order.
- 13) Keep blades sharp.
- 14) Keep hands and feet away from cutting area.
- 15) Objects struck by the lawn mower blade can cause severe injuries to persons. The lawn mower should always be carefully examined and cleared of all objects prior to each mowing.
- 16) If lawn mower strikes a foreign object, follow these steps:
 - i) Stop lawn mower. Release the switch.
 - ii) Remove battery pack.
 - iii) Inspect for damage.
 - iv) Repair any damage before restarting and operating the lawn mower.
- 17) Use identical replacement blades only.



WARNING: When using electric lawn mowers, basic safety precautions should always be followed to reduce the risk of fire, electric shock, and personal injury.



WARNING: Risk of injury could occur if the lawn mower is operated without the catcher assembly attached.



WARNING: The use of any other accessory or attachment might increase the risk of injury.



CAUTION: For battery-operated lawn mowers, use only identical replacement batteries specifically recommended by the manufacturer.

FOR ALL BATTERY-OPERATED GARDENING APPLIANCES:

1. Prevent unintentional starting. Ensure the switch is in the off-position before connecting to battery pack, picking up or carrying the appliance. Carrying the appliance with your finger on the switch or energizing appliance that has the switch on invites accidents.
2. Disconnect the battery pack from the appliance before making any adjustments, changing accessories, or storing appliance. Such preventive safety measures reduce the risk of starting the appliance accidentally.
3. Recharge only with the charger specified by the manufacturer. A charger that is suitable for one type of battery pack may create a risk of fire when used with another battery pack.
4. Use appliances only with specifically designated battery packs. Use of any other battery packs may create a risk of injury and fire.
5. When battery pack is not in use, keep it away from other metal objects, like paper clips, coins, keys, nails, screws or other small metal objects, that can make a connection from one terminal to another. Shorting the battery terminals together may cause burns or a fire.
6. Under abusive conditions, liquid may be ejected from the battery; avoid contact. If contact accidentally occurs, flush with water. If liquid contacts eyes, seek additional medical help. Liquid ejected from the battery may cause irritation or burns.
7. Do not use a battery pack or appliance that is damaged or modified. Damaged or modified batteries may exhibit unpredictable behaviour resulting in fire, explosion or risk of injury.
8. Do not expose a battery pack or appliance to fire or excessive temperature. Exposure to fire or temperature above 130°C (266°F) may cause an explosion.
9. Follow all charging instructions and do not charge the battery pack or appliance outside of the temperature range specified in the instructions. Charging improperly or at temperatures outside of the specified range may damage the battery and increase the risk of fire.
10. Have servicing performed by a qualified repair person using only identical replacement parts. This will ensure that the safety of the product is maintained.
11. Do not modify or attempt to repair the appliance or the battery pack (as applicable) except as indicated in the instructions for use and care.

General Safety Warnings
Safety Warnings for Battery Pack

- a) **Do not dismantle, open or shred battery pack.**
- b) **Do not expose battery pack to heat or fire. Avoid storage in direct sunlight.**
- c) **Do not short-circuit a battery pack. Do not store battery packs haphazardly in a box or drawer where they may short-circuit each other or be short-circuited by other metal objects.** When battery pack is not in use, keep it away from other metal objects, like paper clips, coins, keys, nails, screws or other small metal objects, that can make a connection from one terminal to another. Shorting the



WARNING: Read all safety warnings and instructions. Failure to follow the warnings and instructions may result in electric shock, fire and/or serious injury. Save all warnings and instructions for future reference.

battery terminals together may cause burns or fire.

- d) **Do not remove battery pack from its original packaging until required for use.**
- e) **Do not subject battery pack to mechanical shock.**
- f) **In the event of battery leaking, do not allow the liquid to come in contact with the skin or eyes. If contact has been made, wash the affected area with copious amounts of water and seek medical advice.**
- g) **Observe the plus (+) and minus (-) marks on the battery back and equipment and ensure correct use.**
- h) **Do not use any battery pack which is not designed for use with the equipment.**
- i) **Keep battery pack out of the reach of children.**
- j) **Seek medical advice immediately if a cell or battery has been swallowed.**
- k) **Always purchase the battery pack recommended by the device manufacturer for the equipment.**
- l) **Keep battery pack clean and dry.**
- m) **Wipe the battery pack terminals with a clean, dry cloth if they become dirty.**
- n) **Battery pack needs to be charged before use. Always use the correct charger and refer to the manufacturer's instructions or equipment manual for proper charging instructions.**
- o) **Do not leave battery pack on prolonged charge when not in use.**
- p) **After extended periods of storage, it may be necessary to charge and discharge the battery pack several times to obtain maximum performance.**
- q) **Battery pack gives its best performance when it is operated at normal room temperature (20°C ±**

5°C/68°F ± 9°F).

- r) **When disposing of battery packs, keep battery packs of different electrochemical systems separate from each other.**
- s) **Recharge only with the charger specified by the manufacturer. Do not use any charger other than that specifically provided for use with the equipment.** A charger that is suitable for one type of battery pack may create a risk of fire when used with another battery pack.
- t) **Retain the original product literature for future reference.**
- u) **Use only the battery pack in the application for which it was intended.**
- v) **Remove the battery pack from the equipment when not in use.**
- w) **Dispose of properly.**

Safety instructions for walk-behind mowers

IMPORTANT

Safe Practices for Walk-Behind Mowers

I. GENERAL OPERATION

1. Read, understand, and follow all instructions on the machine and in the manual(s) before starting.
2. Do not put hands or feet near or under the machine. Keep clear of the discharge opening at all times.
3. Only allow responsible adults, who are familiar with the instructions, to operate this machine.
4. Clear the area of objects such as rocks, wire, toys, etc., which could be thrown by the blade. Stay behind the handle when the motor is running.
5. Be sure the area is clear of bystanders before operating. Stop machine if anyone enters the area.
6. Do not operate machine barefooted or while wearing sandals. Always wear substantial footwear.

7. Do not pull machine backwards unless absolutely necessary. Always look down and behind before and while moving backwards.
8. Never direct discharged material toward anyone. Avoid discharging material against a wall or obstruction. Material may ricochet back toward the operator. Stop the blade when crossing gravel surfaces.
9. Do not operate machine without the entire grass catcher, discharge guard, rear guard, or other safety protective devices in place and working.
10. Never leave a running machine unattended.
11. Stop the motor and wait until the blade comes to a complete stop before cleaning the machine, removing grass catcher, or unclogging the discharge guard.
12. Operate machine only in daylight or good artificial light.
13. Do not operate machine while under the influence of alcohol or drugs.
14. Never operate mower in wet grass. Always be sure of your footing; walk; never run.
15. Disengage the drive system, if so equipped, before starting the motor.
16. If the machine should start to vibrate abnormally, stop the motor and check for the cause immediately. Vibration is generally a warning of trouble.
17. Always wear eye protection when operating machine.
18. See manufacturer's instructions for proper operation and installation of accessories. Only use accessories approved by the manufacturer.

II. SLOPE OPERATION

Slopes are a major factor related to slip and fall accidents, which can result in severe

injury. Operation on all slopes requires extra caution. If you feel uneasy on a slope, do not mow it.

1. Mow across the face of slopes; never up and down. Exercise extreme caution when changing direction on slopes.
2. Watch for holes, ruts, bumps, rocks, or other hidden objects. Uneven terrain could cause a slip and fall accident. Tall grass can hide obstacles.
3. Do not mow on wet grass or excessively steep slopes. Poor footing could cause a slip and fall accident.
4. Do not mow near drop-offs, ditches, or embankments. You could lose your footing or balance.

III. CHILDREN

Tragic accidents can occur if the operator is not alert to the presence of children. Children are often attracted to the machine and the mowing activity. Never assume that children will remain where you last saw them.

1. Keep children out of the mowing area and under the watchful care of a responsible adult other than the operator.
2. Be alert and turn mower off if a child enters the area.
3. Never allow children to operate the machine.
4. Use extra care when approaching blind corners, shrubs, trees, or other objects that may block your view of a child.

IV. SERVICE

GENERAL SERVICE

1. Keep all nuts and bolts tight to be sure the equipment is in safe working condition.
2. Never tamper with safety devices. Check their proper operation regularly.
3. Keep machine free of grass, leaves, or

other debris build-up.

4. If you strike a foreign object, stop and inspect the machine. Repair, if necessary, before starting.
5. Never make any adjustments or repairs with the motor running.
6. Always unplug electric mowers before adjusting, cleaning, or repairing.
7. Check grass catcher components and the discharge guard frequently and replace with manufacturer's recommended parts, when necessary.
8. Mower blades are sharp. Wrap the blade or wear gloves, and use extra caution when servicing them.
9. Maintain or replace safety and instruction labels, as necessary.

Safe operation practices for walk-behind mowers

1. Safety Instructions

1.1 Training

- a) Read the operating and service instruction manual carefully. Be thoroughly familiar with the controls and the proper use of the equipment.
- b) Never allow children to operate a power mower.
- c) Keep the area of operation clear of all persons, particularly small children, and pets.
- d) Do not use a mower for any job except that for which it is intended.

1.2 Preparation

- a) Thoroughly inspect the area where the equipment is to be used and remove all stones, sticks, wires, bones, and other foreign objects.
- b) Do not operate the equipment when barefoot or wearing sandals. Always wear substantial footwear.
- c) Disengage the self-propelled mechanism or drive clutch on units so equipped

before starting the motor.

- d) Never attempt to make a wheel height adjustment while the motor is running.
- e) Mow only in daylight or in good artificial light.
- f) Never operate the equipment on wet grass. Always be sure of your footing. Keep a firm hold on the handle and walk, never run.

1.3 Operation

- a) Do not put hands or feet near or under rotating parts. Keep clear of the discharge opening at all times.
- b) Stop the blade(s) when crossing gravel drives, walks, or roads.
- c) After striking a foreign object, stop the motor, unplug, thoroughly inspect the mower for any damage, and repair the damage before restarting and operating the mower.
- d) If the equipment should start to vibrate abnormally, stop the motor and check immediately for the cause. Vibration is generally a warning of trouble.
- e) Stop the motor and unplug whenever you leave the equipment, before cleaning the mower housing, and before making any repairs or inspections.
- f) Shut the motor off and wait until the blade comes to a complete stop before removing the grass catcher or before unclogging the chute.
- g) Mow across the face of slopes, never up and down. Exercise extreme caution when changing direction on slopes. Do not mow excessively steep slopes.
- h) Never operate the mower without proper guards, plates, or other safety protective devices in place.
- i) Do not wash with a hose, avoid getting water in motor and electrical connections.

1.4 Maintenance

- a) Check the blade and the motor mounting bolts at frequent intervals for proper tightness.
- b) Keep all nuts, bolts, and screws tight to be sure the equipment is in safe working condition.
- c) Check bag frequently for deterioration and wear, and replace worn bags. Check that replacement bags comply with the original manufacturer's recommendations or specifications.
- d) Replace the blade if it is bent or cracked. An unbalanced blade causes vibration that could damage the motor drive unit or cause personal injury.
- e) Sharpen a dull blade equally at each end to maintain the balance.
- f) Clear the blade thoroughly and check its balance by supporting it horizontally on a thin nail through its centre hole. The blade should also be in a horizontal position. If either end of the blade rotates downward, remove some metal from the heavy or lower end until the blade is balanced. It is balanced when neither end drops.

SAVE THESE INSTRUCTIONS

Information for radiated emission

This device complies with Canadian ICES-001. This device complies with Part 15 of the FCC Rules.

Operation is subject to the following two conditions:

- (1) This device may not cause harmful interference, and
- (2) This device must accept any interference received, including interference that may cause undesired operation.

NOTE: This equipment has been tested and found to comply with the limits for a Class B digital device, pursuant to Part 15 of the FCC Rules.

These limits are designed to provide reasonable protection against harmful interference in a residential installation. This equipment generates, uses and can radiate radio frequency energy and, if not installed and used in accordance with the instructions, may cause harmful interference to radio communications.













However, there is no guarantee that interference will not occur in a particular installation. If this equipment does cause harmful interference to radio or television reception, which can be determined by turning the equipment off and on, the user is encouraged to try to correct the interference by one or more of the following measures:

- Reorient or relocate the receiving antenna.
- Increase the separation between the equipment and receiver.
- Connect the equipment into an outlet on a circuit different from that to which the receiver is connected.
- Consult the dealer or an experienced radio/TV technician for help.



WARNING: Changes or modifications to this unit not expressly approved by the party responsible for compliance could void the user's authority to operate the equipment.

Some of the following symbols may be used on this product. Please study them and learn their meaning. Proper interpretation of these symbols will allow you to operate the product effectively and safely.

Symbol	Designation/Explanation
	CPSC Danger label
	Severing of toes or fingers—rotary mower blade
	Thrown objects from mower deck
	Keep bystanders/children away
	Safety alert
	Slip on slope
	Read the operator's manual
	To reduce the risk of injury, user must read instruction manual
 Li-ion	Li-ion battery; battery must be recycled
	Do not burn
	Batteries may enter water cycle if disposed improperly, which can be hazardous for ecosystem. Do not dispose of waste batteries as unsorted municipal waste.
	YARDWORKS [®] CANADA has established a partnership with the RBRC Corporation to recycle any YARDWORKS [®] Canada batteries with the RBRC-call2recycle seal. For environmental protection, please do not discard batteries in the trash. After the battery's life cycle is ended, please call 1-800-822-8837 for a free service that will properly dispose of the battery.

SAVE THESE INSTRUCTIONS!

PRODUCT SPECIFICATIONS

Voltage	48 V $\overline{\text{---}}$
No load speed	2800/min
Deck size	20" (51 cm)
Cutting width	19" (48 cm)
Cutting height range	1 1/2 – 4" (3.8 – 10.2 cm)
Collection capacity	50 L (1.4 Bushels)
Cutting height positions	7 positions
Front wheel diameter	8" (20.3 cm)
Rear wheel diameter	11" (28 cm)
Battery capacity (ABP4850SH)	5.0 Ah
Charging input	120 V \sim , 60 Hz, 110 W
Charging output (060-1990-2)	48 V $\overline{\text{---}}$, 2 A
Charging time	2 1/2 hours
Machine weight	51 lb 13 oz (23.5 kg)

SUITABLE BATTERY PACKS

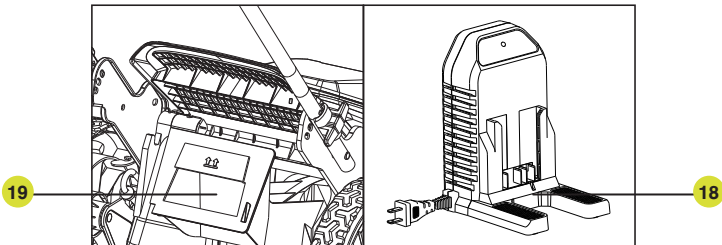
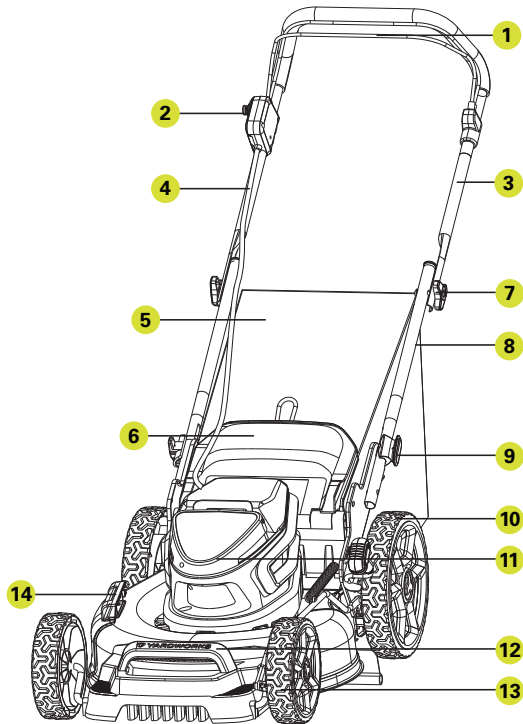
Item Number	060-1987-2	ABP4830SH	060-1988-0	ABP4850SH	060-1989-8
Battery capacity	2.0 Ah	3.0 Ah	4.0 Ah	5.0 Ah	6.0 Ah
	Not included	Not included	Not included	Included	Not included

SUITABLE CHARGERS

Item number	060-1990-2	060-1992-8
Charger input	120 V \sim , 60 Hz, 110 W	120 V \sim , 60 Hz, 320 W
Charger output	48 V $\overline{\text{---}}$, 2 A	48 V $\overline{\text{---}}$, 6 A
Charger Protection class	\square /II	\square /II
	Included	Not included

model no. 060-1981-4 | contact us: 1.866.523.5218

1. Switch lever
2. Safety button
3. Upper Handle
4. Cable
5. Grass collection bag
6. Rear discharge guard
7. Upper handle lock knob
8. Lower handle
9. Lower handle lock knob
10. Rear wheel
11. Battery pack cover
12. Carry handle
13. Front wheel
14. Side discharge cover
15. Side discharge chute
(See Fig. E2-pg18)
16. Battery pack* (ABP4850SH)
(See Fig. G2 -pg 20)
17. Battery pack release button* (See Fig. G2-pg 20)
18. Charger (060-1990-2)
19. Mulching block



WARNING: any other accessory or attachment may increase the risk of injury.



To reduce the risk of injury, user must read instruction manual

Intended Use

This product is intended for domestic lawn mowing.

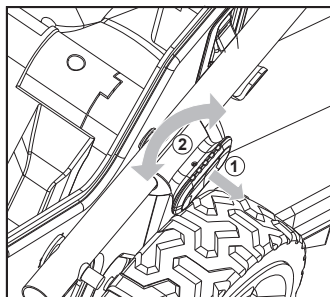
- Mowing with grass collection bag attached - Standard lawn mowing with grass collection bag attached.
- Mowing with side discharge chute attached - use the side discharge chute instead of grass collection bag, and grass clippings are ejected from the mower on the right hand side of the deck.
- Mulch and mowing - use the mower with mulching block instead of grass collection bag attached. The lawn mower will mulch as it cuts and the fine grass clippings are distributed back onto the grass surface without leaving piles of grass clippings.

ASSEMBLY

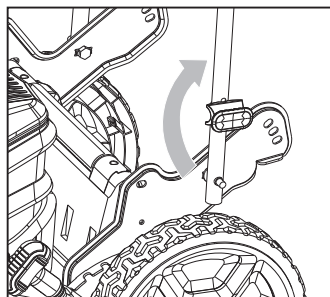
1. OPEN THE LOWER HANDLE AND ADJUST THE HANDLE HEIGHT

- 1) Pull the lower handle lock knob out a little. Turn the lower handle lock knob to about 90° position. (See Fig. A1.)
- 2) Select a required hole from the 3 holes on the deck. Open the lower handles from transportation position. Align the hole on the lower handle and the selected hole. (See Fig. A2.)

NOTE: The 3 holes are used for adjusting the handle height. Select an appropriate hole as required.



A1



A2



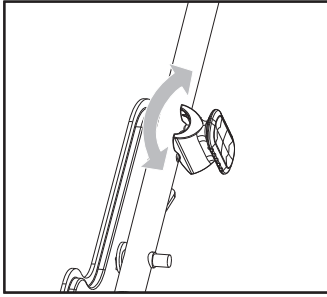
CAUTION! The machine must not be put in operation before it has been assembled completely.



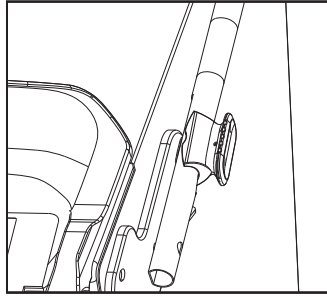
CAUTION! Do not insert the battery until the appliance has been completely assembled.

model no. 060-1981-4 | contact us: 1.866.523.5218

- 3) Rotate the lower handle lock knob into the aligned holes to lock the lower handle on the deck. (See Fig. A3, A4.)



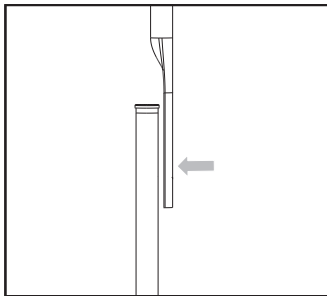
A3



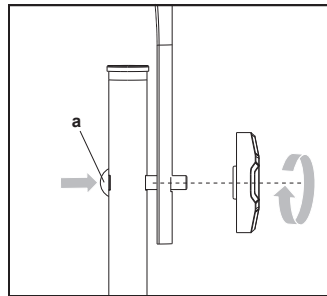
A4

2. ASSEMBLING THE UPPER HANDLE

- 1) Attach the upper handle onto the outside of the lower handle. Be sure to carefully align the holes found on the lower handle and the upper handle. (See Fig. B1.)
- 2) Insert the bolt (a) through aligned holes from the inner side of the lower handle. Then insert the upper handle lock knob into the end of the bolt from the outside of the upper handle. (See Fig. B2.)
- 3) Tighten the upper handle lock knob by turning it clockwise to lock the handles. (See Fig. B2.)
- 4) Repeat step 1 through 3 to the other side of the handle. Check to ensure the handles are FULLY secured.



B1

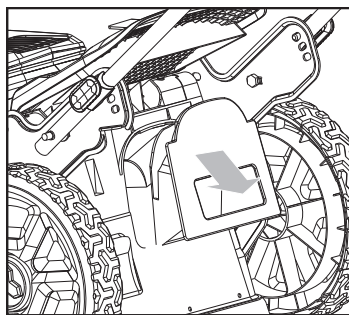


B2

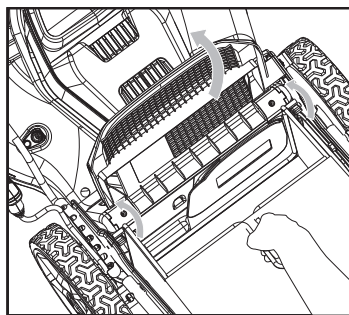
3. GRASS COLLECTION BAG FITTING

- 1) Raise the rear discharge guard and hold it up, remove the mulching block if it is in the rear chute. (See Fig. C1.)
- 2) Raise the rear discharge guard and hold it up. Pick up the grass collection bag by the handle, and position the left and right hooks of grass collection bag onto the mower (See Fig. C2, C3.)
- 3) Release the rear discharge guard. Ensure the grass collection bag is installed securely.

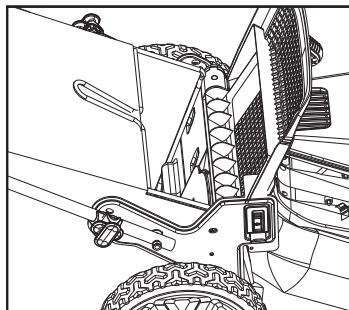
NOTE: Depress the grass collection bag slightly to ensure that it is completely installed.



C1



C2



C3



WARNING: Before fitting, make sure the mower is switched off, the battery pack is removed, and the blades have come to a standstill.

4. REMOVING / EMPTYING THE GRASS COLLECTION BAG

- Removing (See Fig. D)

Raise the rear discharge guard and hold it up. Lift the grass collection bag by the handle upwards a little, and then remove the grass collection bag from the rear discharge chute.

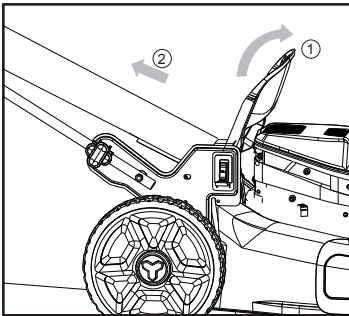
- Emptying

As soon as you see mown grass debris on the lawn, the grass collection bag needs to be emptied.

- 1) Empty the grass clippings from the grass collection bag into the appropriate bin. Check with your local municipality for disposal of grass clippings. Refit grass collection bag per previous instructions.
- 2) If any grass clippings are caught in the rear discharge chute, clean it using a broom or similar extension.
- 3) Do not remove grass debris from under the deck, or on/around the blades by hand or with your feet. Instead use suitable tools such as a brush or broom.
- 4) To ensure that the grass clippings can be blown into the grass collection bag, the rear discharge chute, and the inside of the mower deck must be cleared of any blockage.

NOTE:

- Always empty the grass collection bag before it has reached its maximum capacity.
- Do not leave grass clippings in the grass collection bag for extended periods of time.



D



WARNING: Before you remove the grass collection bag, switch off the mower, remove the battery pack, and ensure the blades have come to a standstill.

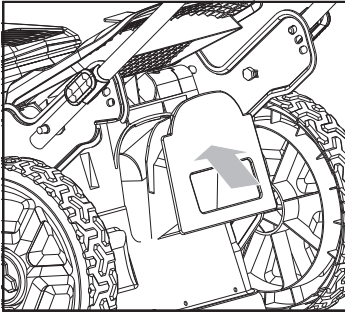


WARNING: Always check the rear discharge guard closes tightly before using. Never lift the rear discharge guard when the lawn mower is in operation.

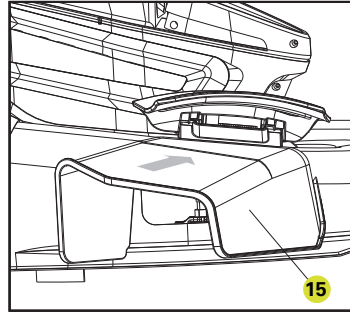
5. ASSEMBLY OF THE SIDE DISCHARGE CHUTE

NOTE: The side discharge chute is used to distribute grass clippings from the side of the mower while it is in use. To use this function, the grass collection bag is NOT required to be assembled on the lawn mower.

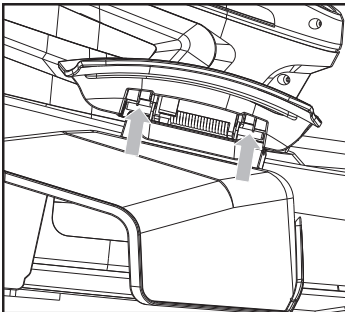
- 1) Remove the grass collection bag if it is fitted. Refer to Removing / Emptying the grass collection bag section.
- 2) Raise the rear discharge guard and hold it up, insert the mulching block into the rear chute. Ensure the mulching block is secured into position. (See Fig. E1.)
- 3) Place the side discharge chute into position on the side of the deck by aligning the 2 top tabs on the side discharge chute with the bars on each side at the top of the side discharge cover, and then place the 2 top tabs underneath the bars to secure. (See Fig. E2, E3.)
- 4) Release the side discharge cover.
- 5) To remove, raise the side ejector cover, and remove the side discharge chute by disengaging the 2 tabs from the 2 bars.



E1



E2



E3

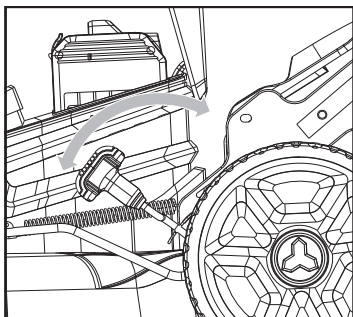
6. ADJUSTING THE CUTTING HEIGHT (SEE FIG. F)

NOTE:

- Always try to adjust the cutting height of the lawn mower while positioned on the area of grass you plan to mow.
- It is recommended to start on a higher setting and mow a trial area of lawn before deciding on the final cutting height position. Then readjust if necessary.

The lawn mower has one cutting height adjustment lever to easily adjust the cutting height. The lawnmower can be set to 7 cutting heights between 1 1/2"–4" (3.8–10.2 cm).

- 1) To increase the cutting height, pull the cutting height adjustment lever outward towards the rear wheel and move it up a notch, towards the rear of the lawn mower.
- 2) To decrease the cutting height, pull the cutting height adjustment lever outward towards the front wheel, and move it down a notch, towards the front of the mower.
- 3) After adjustment, ensure the lever is fully seated in the selected notch.



F



WARNING! Switch off the mower, and wait for blade to come to a complete stop. The blades continue to rotate after the machine is switched off, a rotating blade can cause injury.



CAUTION! Do not touch rotating blades.

1. CHARGING THE BATTERY PACK

IMPORTANT NOTES FOR CHARGING BATTERY

The battery in your new tool is not charged when it leaves the plant; therefore, it must be full charged before using the first time.

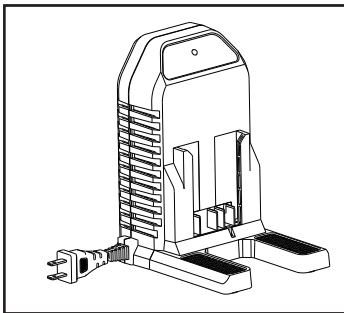
NOTE: If the battery pack is very hot, remove the battery from the charger and allow it to cool to ambient temperature before attempting to recharge.

To prevent damage to the battery pack, please charge the battery to full or no less than half charge before storage.

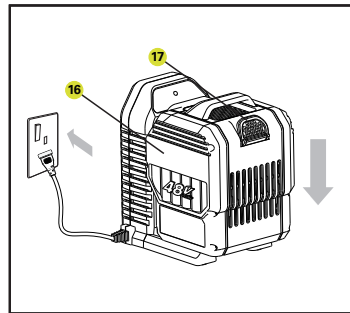
If the tool will not be used for long periods of time, charge the battery every 3-6 months.

CHARGING PROCEDURE (SEE FIG. G1, G2)

- 1) Plug the charger into an appropriate outlet.
- 2) Slide the battery pack into the charger; the light will begin flashing green to indicate the charging process has started.
- 3) When charging is completed, the light will turn to solid green. The pack is now fully charged; unplug the charger and remove the battery pack.



G1



G2











WARNING: When battery charge runs out after continuous use or exposure to direct sunlight or heat, allow time for the battery to cool down before re-charging to achieve the full charge.

model no. 060-1981-4 | contact us: 1.866.523.5218

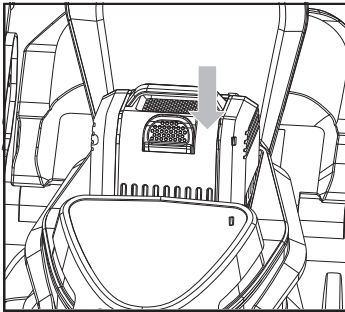
CHARGING INDICATOR

This charger is designed to detect some problems that can arise with battery packs. Indicator lights indicate problems (see table below).

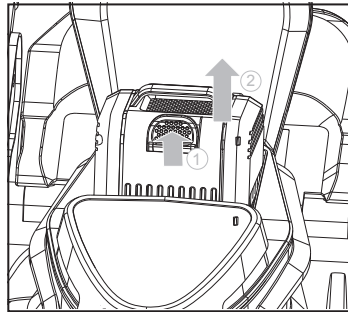
Light	ON/ Flash	Status
Red on  	————	Defective battery.
Red flash  	Battery Temperature Protection. The temperature of battery pack is less than 0°C (32°F) or more than 40°C (104°F).
Green on  	————	Fully Charged.
Green flash  	Charging

2. INSTALLING AND REMOVING THE BATTERY PACK

- 1) Slide the battery pack into tool's battery port. A simple push and slight pressure will be sufficient. (See Fig. H1.)
- 2) Press the battery pack release button and remove the battery pack from the tool. (See Fig. H2)



H1



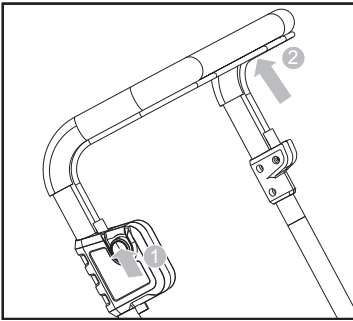
H2

OPERATION**1. STARTING AND STOPPING****STARTING (SEE FIG. 1)**

Depress the safety button first and pull the switch lever towards the handle, then the mower will start.

STOPPING

Release the switch lever to stop the mower.



1



WARNING: Keep hands, feet, hair and clothing away from all the moving parts of the lawn mower. Make sure that the blade is securely fastened before starting the mower.



WARNING: The battery pack will be too cold to be used if it has been left in the environment with too low temperature (less than -20 degrees Celsius) for a long time. The battery pack needs to be warmed up before use.

4. MOWING TIPS (Catcher Mowing + Side Discharge Mowing)

NOTE: Always inspect area where mower is to be used and remove all stones, sticks, wire, metal and other debris which might be thrown by the rotating blade.

- 1) It is recommended to mow your lawn more frequently, walk at normal pace, and not to start/stop the mower too often during operation.
- 2) For best performance, please use a fully charged battery pack.
- 3) Walk slowly when cutting long grass so as to have more effective cutting and properly discharge the clippings.
- 4) Avoid cutting wet grass; otherwise, it will stick to the underside of the deck and the clippings cannot be collected or discharged properly.
- 5) Use a higher cutting height for new or thick grass to extend battery life.
- 6) Mow across the face of slopes, never up-and-down. Exercise extreme caution when changing direction on slopes. Do not mow excessively steep slopes. Always maintain good footing.
- 7) Release switch lever to turn mower OFF when crossing any gravelled area (stones can be thrown by the blade).
- 8) Set mower at highest cutting height when mowing in rough ground or in tall weeds. Removing too much grass at one time can cause circuit breaker to trip, which stops mower.
- 9) If mower should start to vibrate abnormally, release switch lever to turn mower OFF. Check immediately for cause. Vibration is a warning of trouble. Do not operate mower until a service check has been made.
- 10) ALWAYS RELEASE SWITCH LEVER TO TURN MOWER OFF WHEN LEAVING IT UNATTENDED EVEN FOR A SHORT PERIOD OF TIME.

Mowing with grass collection bag attached

If a grass bag is used during the fast growing season, the grass may tend to clog up at the discharge opening. Release switch lever to turn mower off. Remove the grass bag and shake the grass down to the back end of the bag. Also clean out any grass or debris which may be packed around the discharge opening. Replace the grass collection bag.

Mowing with side discharge chute attached

For the best performance in "side discharge chute" mode, insert the mulching block.

Mulch and mowing

Insert the mulching block into the backside of the mower deck. (See Fig. E1.)

When mulching and mowing, your new mower is designed to cut the grass clippings into small pieces and distribute them back into the lawn, using mulching fins located inside the mower deck.



WARNING! Stop the mower before removing the Grass Collection Bag.

Under normal conditions, the mulched grass will biodegrade quickly to provide nutrients to the lawn. Please review the following recommendations for optimum mulching performance.

- 1) Avoid mowing when the grass is wet from rain or dew. Wet grass may form clumps which interfere with the mulching action and reduce runtime. The best time to mow grass is in the late afternoon when the grass is dry and the newly cut area will not be exposed to direct sunlight.
- 2) For best mulching performance, ideally mow no more than 1 1/2" (4 cm) at one time. If the lawn is overgrown, it may be necessary to increase the cut height to reduce the pushing effort and prevent overloading the motor. For extremely heavy mulching, it is advisable to first cut at a high cut height setting, and then re-cut to the final cut height. Otherwise, make narrower cuts and mow slowly.
- 3) For best performance, keep the mower housing free of built-up grass. From time to time turn off mower and wait for the blade to come to a complete stop. Remove the battery pack. Using an object such as a stick, wipe out any accumulation of grass in the blade area. Be careful of the sharp edges of the blade. Clean often in wet, new grass, and always clean after every use.
- 4) Under certain types of grass conditions, an area be mulched may require a second mulching to fully disperse the grass throughout the lawn. If cutting a second time, it is advisable to cut perpendicular (across) the first cut pattern.
- 5) Change your cutting pattern from week to week. This will help prevent matting and graining of the lawn.

NOTE: To ensure long and reliable service, perform the following maintenance procedures regularly. Check for obvious defects such as a loose, dislodged or a damaged blade, loose fittings, and worn or damaged components. Check that the covers and guards are all undamaged and are correctly attached to mower. Carry out any necessary maintenance or repairs before operating mower.

BLADE SHARPENING

KEEP BLADE SHARP FOR BEST MOWER PERFORMANCE. A DULL BLADE DOES NOT CUT GRASS CLEANLY OR MULCH PROPERLY.

BE SURE THE MOWER IS TURNED OFF AND REMOVE THE BATTERY PACK. WEAR PROPER EYE PROTECTION AND GLOVES PROTECTION WHILE REMOVING, SHARPENING, AND INSTALLING BLADE. Sharpening the blade twice during a mowing season is usually sufficient under normal circumstances. Sand causes the blade to dull quickly. If your lawn has sandy soil, more frequent sharpening may be required.

REPLACE BENT OR DAMAGED BLADE IMMEDIATELY.

WHEN SHARPENING THE BLADE (See Fig. J)

1. Make sure blade remains balanced.
2. Sharpen blade at the original cutting angle.
3. Sharpen cutting edges on both ends of blade to keep it balanced, removing equal amounts of material from both ends.

NOTE:

1. Be sure the mower is turned off.
2. Remove the battery pack.
3. Place the mower in stand up storage mode.

BLADE BALANCING (See Fig. K)

Check balance of blade by placing centre hole in blade L-1 over a nail or screwdriver shank L-2, clamped horizontally in a vise L-3. If either end of the blade rotates downward, file that end. Blade is properly balanced when neither end drops.

BLADE MAINTENANCE (See Fig. L)

Replace your blade after 50 hours mowing or 2 years, whichever is the sooner—regardless of condition.

BE SURE THE MOWER IS TURNED OFF AND REMOVE THE BATTERY PACK.

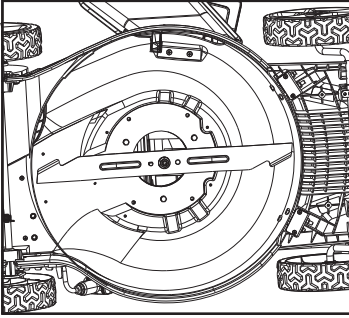
Follow these procedures to remove and replace the blade. You will need garden gloves and a wrench to remove the blade. Hold the blade and unscrew the blade bolt counter-clockwise using a spanner wrench, and then remove the blade.

To re-assemble, position the blade with the cutting edges towards the ground. Then securely tighten the blade bolt.

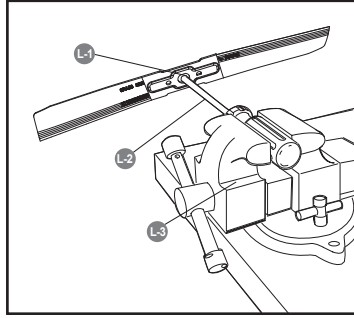


WARNING! Stop the mower before removing the grass collection bag.

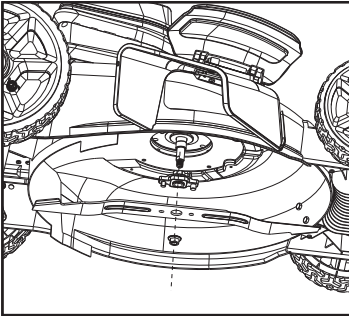
Maintenance



J



K



L

model no. 060-1981-4 | contact us: 1.866.523.5218

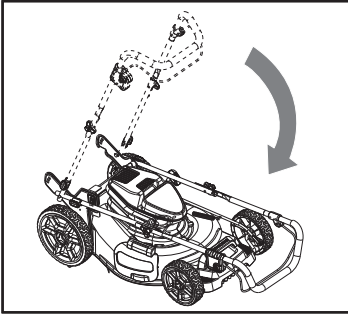
Stop the mower. Remove the battery back. Clean the exterior of the machine thoroughly using a soft brush and cloth. Do not use water, solvents or polishes. Remove all grass and debris, especially from the ventilation slots.

Turn the machine on its side and clean the blade area. If grass cuttings are compacted in the blade area, remove with a wooden or plastic implement.

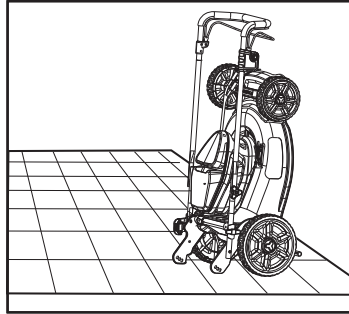
Store the machine in a dry place. Do not place other objects on top of the machine.

To aid storage, pull out the lower handle lock knob outwards a little to loosen the lower handle and lay down the lower handle onto the mower engine as shown in M1. Store the mower vertically as shown in M2.

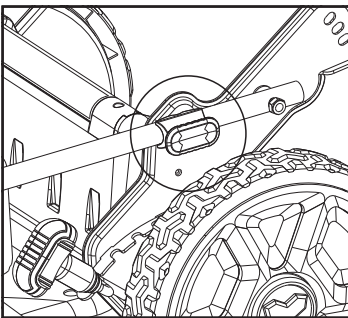
NOTE: While laying down the lower handle, the lower handle lock knob needs to be exactly inserted into the hole on the rear shaft of the mower. (See Fig. M3)



M1



M2



M3

For Battery and Charger

The ambient temperature range for the use and storage of the charger and battery is 0 to 45°C (32 to 113°F).

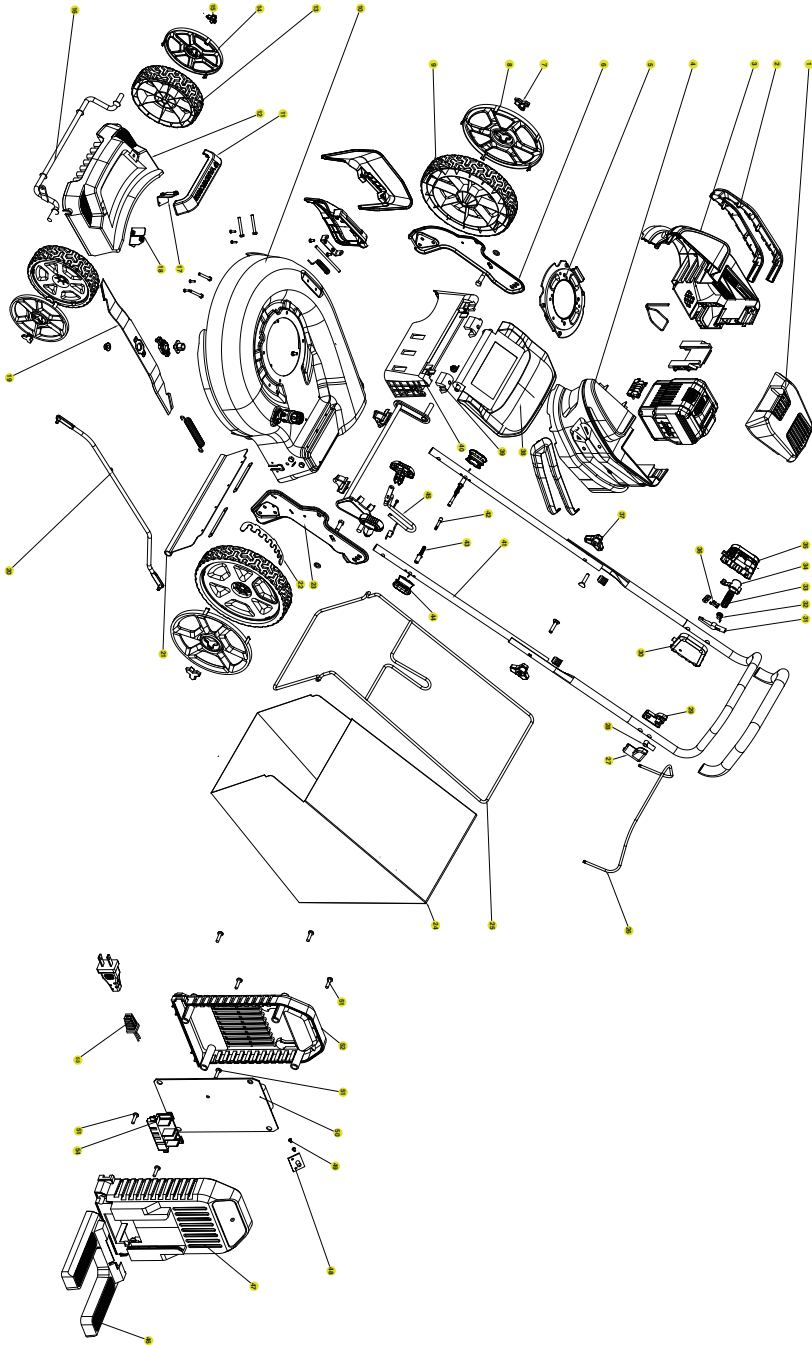
The recommended ambient temperature range for the charging system during charging is 0 to 40°C (32 to 104°F).

It is recommended that the battery be stored indoors for the winter months.

model no. 060-1981-4 | contact us: 1.866.523.5218

The following table gives checks and actions that you can perform if your machine does not operate correctly. If these do not identify/remedy the problem, contact Yardworks® at 1-866-523-5281.

Problem	Solution
Mower doesn't run when switch lever is activated.	Release switch lever to turn mower off. Remove the battery pack. Turn mower over and check that the blade can turn freely. If not, contact Yardworks® at 1-866-523-5281. Has battery been fully charged? If not, charge the battery pack.
Motor stops while mowing.	Turn mower off. Remove the battery pack. check that the blade can turn freely. If not, contact Yardworks® at 1-866-523-5281. Raise cutting height of wheels to highest position and start mower. Has battery been fully charged? If not, charge the battery pack. Avoid overloading the mower. Slow down the cutting pace by pushing mower slower or raise the cut height. Or both.
Mower runs but cutting performance is unsatisfactory, or does not cut entire lawn.	Has battery been fully charged? If not, charge the battery pack. Turn mower over. Remove the battery pack. Check blade for sharpness; keep blade sharp. Check deck and discharge chute for clogging. Wheel height adjustment may be set too low for grass condition. Raise cutting height.
Mower is too hard to push.	Raise cutting height to reduce deck drag on grass. Check each wheel for free rotation.
Mower is abnormally noisy and vibrates.	Turn mower off. Remove the battery pack. Turn mower on side and check blade to ensure it has not been bent or damaged. If blade is damaged, replace with a replacement blade. If the underside of the deck is damaged, contact Yardworks® at 1-866-523-5281. If there is no visible damage to the blade and the mower still vibrates: turn mower off, remove the battery pack, and then remove blade Rotate blade 180 degrees and retighten. If mower still vibrates, contact Yardworks at 1-866-523-5281.
Mower not picking up clippings with the Grass Collection Bag.	Remove mulch block when bagging. Chute clogged. Release switch lever to turn mower off. Clear chute of grass clippings. Too much cut grass. Raise cutting height of wheels to shorten length of the cut. Bag full. Empty bag more often.
When mulching there are clippings visible.	Too much cut grass. Raise cutting height of wheels to shorten length of the cut. Do not cut off more than 1/3 of total length. Check blade for sharpness. Always keep blade sharp.
Low or diminished run-time after many uses.	Contact Yardworks® at 1-866-523-5281 — may need new battery.



Exploded View

model no. 060-1981-4 | contact us: 1.866.523.5218

Item No.	Description	QTY.	Item No.	Description	QTY.
1	Battery Cover	1	36	Switch	2
2	Right Decoration Cover	1	37	Button Cap	2
3	Right Housing	1	38	Safety Guard	1
4	Left Housing	1	39	Fixed Block	2
5	Motor Cabinet	1	40	Rear Cover	1
6	Mounting Plate	1	41	Lower Handle	2
7	Wheel Cover I	2	42	Alignment Pin	2
8	Wheel Cover II	2	43	Pull Pin Spring	2
9	Wheel Hub I	2	44	Side Handle	2
10	Deck	1	45	Handle	1
11	Lifting Handle	1	46	Support Leg	1
12	Front Cover	1	47	Front Cover	1
13	Wheel Hub II	2	48	LED Panel	1
14	Wheel Cover I	2	49	Screw	2
15	Wheel Cover II	2	50	PCBA	1
16	Front Wheel Axle	1	51	Screw	7
17	Left Clamp	1	52	Rear Cover	1
18	Right Clamp	1	53	Power Cord	1
19	Blade	1	54	Electrode Holder	1
20	Connection Rod	1			
21	PVC Shield	1			
22	Gear Piece	1			
23	Mounting Plate	1			
24	Grass Bag	1			
25	Grass Bag Bracket	1			
26	Pressure Lever	1			
27	Fixed Support	1			
28	Fixing Cover	1			
29	Fixing Basement	1			
30	Left Switch Cover	1			
31	Switch Bail	1			
32	Trigger Spring	1			
33	Button Spring	1			
34	Switch Button	1			
35	Right Switch Cover	1			

FIVE-YEAR LIMITED WARRANTY

For five (5) years from the date of purchase within Canada, YARDWORKS[®] CANADA will, at its option, repair or replace for the original purchaser, free of charge, any part or parts found to be defective in material or workmanship (excludes battery).

For THREE (3) years from the date of purchase within Canada, YARDWORKS[®] CANADA will, at its option, repair or replace for the original purchaser, free of charge, any battery found to be defective in material or workmanship.

THIS WARRANTY DOES NOT COVER

1. Any part that has become inoperative due to misuse, commercial use, abuse, neglect, accident, improper maintenance, or alteration;
2. The unit, if it has not been operated and/or maintained in accordance with the owner's manual;
3. Normal wear, except as noted below;
4. Routine maintenance items such as lubricants, blade sharpening; or
5. Normal deterioration of the exterior finish due to use or exposure.

FULL ONE YEAR (365) DAYS WARRANTY ON NORMAL WEAR PARTS

Normal wear parts are defined as blade adaptors, blades, grass bags and tires. These parts are warranted to the original purchaser to be free from defects in

material and workmanship for a period of three hundred and sixty-five (365) days from the date of retail purchase.

HOW TO OBTAIN SERVICE

Warranty service is available by calling the toll-free helpline at 1.866.523.5218. The factory will not accept the return of a complete unit unless prior written permission has been extended by YARDWORKS[®] CANADA.

TRANSPORTATION CHARGES

Transportation charges for the movement of any power equipment unit or attachment are the responsibility of the purchaser. The purchaser must pay transportation charges for any part submitted for replacement under this warranty unless such return is requested in writing by YARDWORKS[®] CANADA.

OTHER WARRANTIES

All other warranties, express or implied, including any implied warranty of merchantability is limited in its duration to that set forth in this express limited warranty.

The provisions as set forth in this warranty provide the sole and exclusive remedy of YARDWORKS[®] CANADA obligations arising from the sale of its products.

Made in China. Imported by Yardworks Canada
Toronto, Canada M4S 2B8



Always remove or disconnect the battery pack before adjusting, cleaning, servicing or transporting your appliance.

FCC Part 15

Supplier's Declaration of Conformity
Product Description: 48V 2.0A Charger
Model Number: 060-1990-2
Trade Name: YARDWORKS[®]

This device complies with part 15 of the FCC Rules.

Operation is subject to the following two conditions:

- (1) This device may not cause harmful interference, and
- (2) This device must accept any interference received, including interference that may cause undesired operation.

Responsible Party:

Positec USA, Inc.

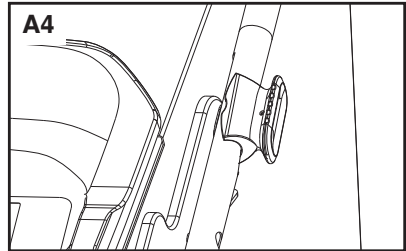
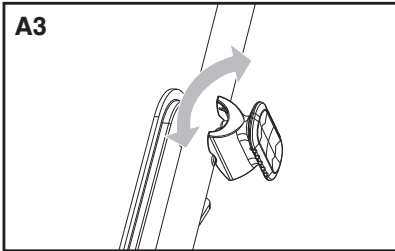
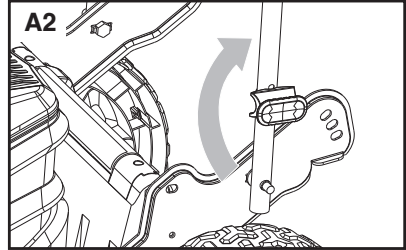
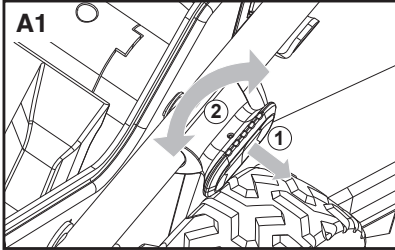
PO Box 681298, Charlotte, NC 28216

Tel: 1 - (866) - 523 - 5218

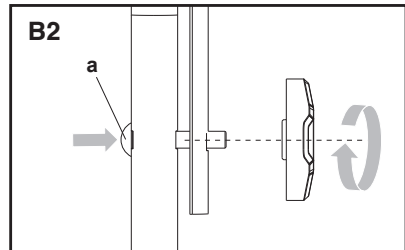
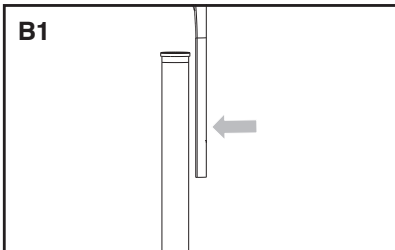
Fax: (704) 599-6390

ASSEMBLY
1. OPEN THE LOWER SHORT HANDLE AND ASSEMBLE THE UPPER HANDLE.

- 1) Turn the lower handle lock knob out (See Fig. A1.) Open the lower handles to align the hole on the lower handle and the one of the three holes on the deck. (See Fig. A2.) Rotate the lower handle lock knob into the aligned holes to lock. (See Fig. A3, A4.)



- 2) Align the holes found on the lower handle and the upper handle. Insert the bolt (a) through aligned holes from the inner side of the lower handle. Insert the upper handle lock knob into the end of the bolt and rotate it clockwise to lock them. (See Fig. B1 B2.)



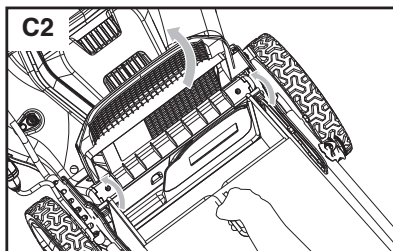
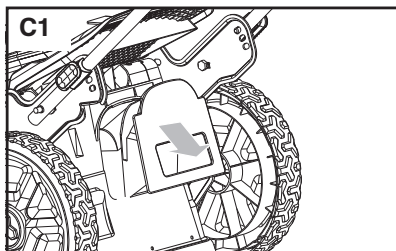
*** This information is provided for your convenience. It does not replace the instruction manual and safety instructions. The manual and safety instructions need to be read and understood in their entirety.**

20" (51 CM) BRUSHLESS 3-IN-1 LAWN MOWER

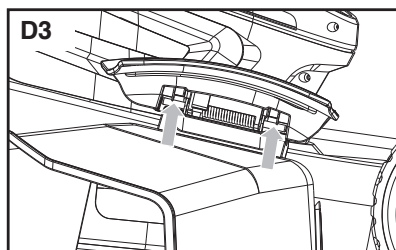
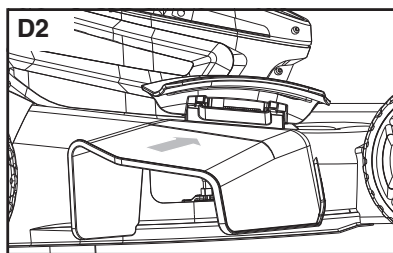
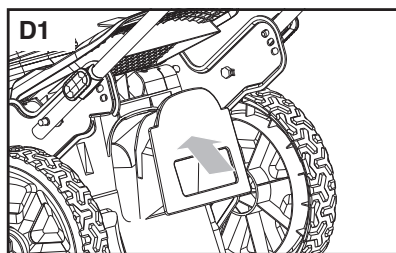
Item # 060-1981-4 | contact us: 1.866.523.5218

2. GRASS COLLECTION BAG FITTING

- 1) Raise the rear discharge guard and remove the mulching block. (See Fig. C1.)
- 2) Pick up the grass collection bag by the handle, and position the left and right hooks of grass collection bag onto the mower. (See Fig. C2.)
- 3) Release the rear discharge guard.


3. ASSEMBLY OF THE SIDE DISCHARGE CHUTE

- 1) Raise the rear discharge guard and insert the mulching block into the rear chute. (See Fig. D1.)
- 2) Place the side discharge chute into position on the side of the deck, by aligning the 2 top tabs on the side discharge chute with the bars on each side at the top of the side discharge cover, and then place the 2 top tabs underneath the bars to secure. (See Fig. D2, D3.)
- 3) Release the side discharge cover.



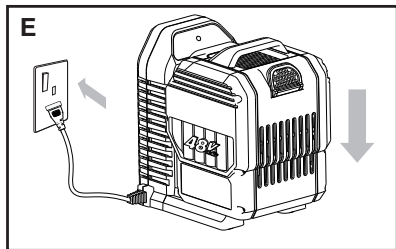
*** This information is provided for your convenience. It does not replace the instruction manual and safety instructions. The manual and safety instructions need to be read and understood in their entirety.**

20" (51 CM) BRUSHLESS 3-IN-1 LAWN MOWER

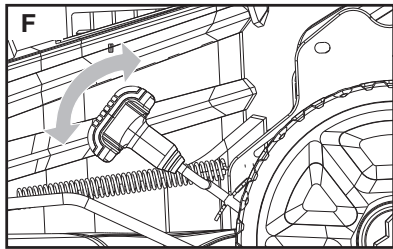
Item # 060-1981-4 | contact us: 1.866.523.5218

PREPARE**1. CHARGING PROCEDURE (See Fig. E)**

- 1) Plug the charger (Not included) into an appropriate outlet.
- 2) The light will flash green when charging. When fully charged, the light will turn solid green.

**2. ADJUSTING THE CUTTING HEIGHT (See Fig. F)**

Pull the cutting height adjusting lever to the front or rear notch.



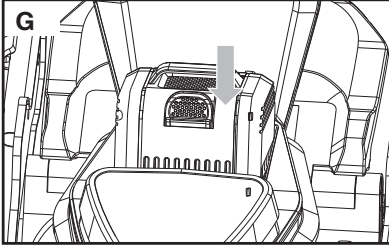
* This information is provided for your convenience. It does not replace the instruction manual and safety instructions. The manual and safety instructions need to be read and understood in their entirety.

20" (51 CM) BRUSHLESS 3-IN-1 LAWN MOWER

Item # 060-1981-4 | contact us: 1.866.523.5218

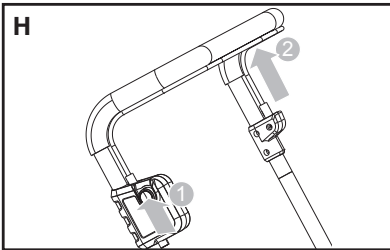
3. INSTALLING THE BATTERY PACK (SEE FIG. G)

Slide the battery pack into tool's battery port. A simple push and slight pressure will be sufficient.

**OPERATION****STARTING (SEE FIG. H)**

Depress the safety button first, and pull the switch lever towards the handle, then the mower will start.

The battery pack will be too cold to be used if it has been left in the environment with too low temperature (less than -20 degrees Celsius) for a long time. The battery pack needs to be warmed up before use.



* This information is provided for your convenience. It does not replace the instruction manual and safety instructions. The manual and safety instructions need to be read and understood in their entirety.