



YARDWORKS^{®/MD}

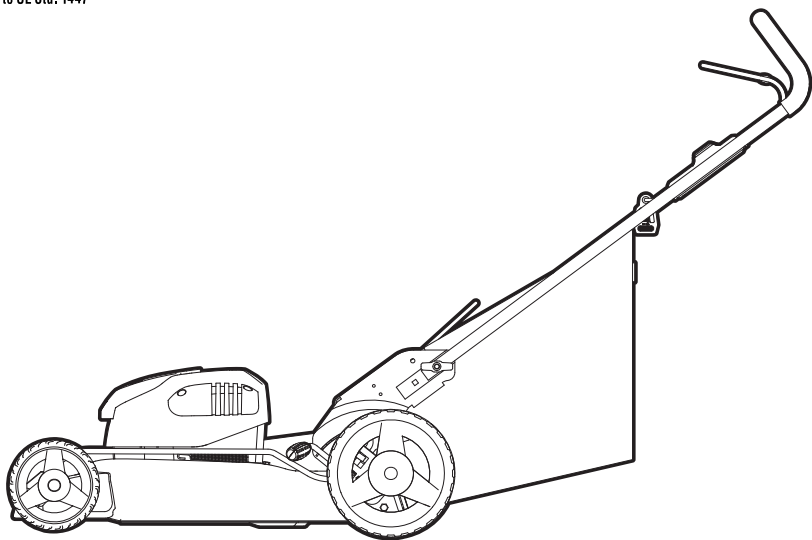
12 AMP ELECTRIC LAWN MOWER

model number 060-1723-0 | contact us: 1.866.523.5218



Intertek
3025736

Certified to CSA STD. C22.2 No. 147.
Conforms to UL Std. 1447



IMPORTANT:

Read and follow all safety rules and operating instructions before using this product.

**Instruction
Manual**



For problems or questions,
NOT RETURN TO STORE
contact one of our Customer
Service Agents who would be
happy to assist you.

For Customer Assistance Please Call:



CANADA: 1-866-523-5218

Technical Data	3
Product Safety	4
Know Your Lawn Mower	10
Accessories	10
Exploded View	11
Parts List	12
Assembly & Operation	14
Mulching Mowing Tips	19
Maintenance	19
Troubleshooting	21
Symbols	22
Warranty	24

TECHNICAL DATA

Rated Voltage	120 V~ 60 Hz
Rated Power	12 A
No Load Speed	3500 RPM
Deck Diameter	20" (51 cm)
Cutting Path	19" (48.3 cm)
Front Wheel Diameter	7" (17.8 cm)
Rear Wheel Diameter	10" (25.4 cm)
Cutting Height	1 1/2 – 4" (38 – 100 mm)
Cutting Height Positions	7
Grass Collection Capacity	1.4 bushels (50 L)
Mower Weight	43 lb 12 oz (19.8 kg)

READ ALL INSTRUCTIONS

WARNING: When using electric lawn mowers, basic safety precautions should always be followed to reduce the risk of fire, electric shock, and personal injury, including the following:

WARNING: Risk of injury could occur if the lawn mower is operated without the catcher assembly attached.

WARNING: The use of any other accessory or attachment might increase the risk of injury.

a) FOR ALL DOUBLE-INSULATED LAWN MOWERS

1) Replacement Parts

When servicing use only identical replacement parts.

2) Polarized Connections

To reduce the risk of electric shock, this mower has a polarized plug (one blade is wider than the other) and will require the use of a polarized extension cord. The plug will fit into a polarized extension cord only one way. If the plug does not fit fully into the extension cord, reverse the plug. If the plug still does not fit, obtain a correct polarized extension cord. A polarized extension cord will require the use of a polarized wall outlet. This plug will fit into the polarized wall outlet only one way. If the plug does not fit fully into the wall outlet, reverse the plug. If the plug still does

not fit, contact a qualified electrician to install the proper wall outlet. Do not change the mower plug, extension cord receptacle, or extension cord plug in any way.

b) FOR ALL LAWN MOWERS

- 1) Avoid dangerous environments - Don't use lawn mowers in damp or wet locations.
- 2) Don't use in rain.
- 3) Keep children away - All visitors should be kept a safe distance from work area.
- 4) Dress properly - Do not wear loose clothing or jewellery. They can be caught in moving parts. Use of rubber gloves and footwear is recommended when working outdoors.
- 5) Use safety glasses - Always use face or dust mask if operation is dusty.
- 6) Use right lawn mower - Do not use lawn mower for any job except that for which it is intended.
- 7) Ground Fault Circuit Interrupter (GFCI) protection should be provided on the circuit(s) or outlet(s) to be used for the lawn mower. Receptacles are available having built-in GFCI protection and may be used for this measure of safety.
- 8) Warning - To prevent electric shock use only with an extension cord suitable for



WARNING: When using electric garden products, basic safety precautions should always be followed to reduce the risk of fire, electric shock, and personal injury, including the following:



WARNING: Read all instructions.

outdoor use, such as SW, SOW, STW, STOW, SJW, SJOW, SJTW, or SJTOW.

- 9) Extension Cord - Make sure your extension cord set is in good condition. When using an extension cord, be sure to use one heavy enough to carry the current your product will draw. For lengths less than 25' or 50' (7.2 m or 15.2 m) feet, No. 16/16 AWG extension cord should be used. An undersized cord will cause a drop in line voltage resulting in loss of power and overheating. (NOTE: Table 1 shows the correct size to use depending on cord length and nameplate ampere rating. If in doubt, use the next heavier gauge. The smaller the gauge number the heavier the cord.) To reduce the likelihood of disconnection of lawn mower cord from the cord set during operating:
 - i) Make a knot as shown in Figure 1, or
 - ii) Use one of the plug-receptacle retaining straps or connectors described in this manual.
- 10) Don't abuse cord - Never pull lawn mower by cord or yank it to disconnect from receptacle. Keep cord from heat, oil, and sharp edges.
- 11) Don't force lawn mower - It will do the job properly and safer at the rate for which it was designed.
- 12) Don't overreach - Keep proper footing and balance at all times.
- 13) Stay alert - Watch what you are doing.
- 14) Disconnect lawn mower - Disconnect the lawn mower from the power supply when not in use, before servicing, when changing accessories such as blades, and the like.
- 15) Store idle lawn mower indoors - When not in use, lawn mower should be stored in an indoor dry and locked-up place - out of reach of children.
- 16) Maintain lawn mower with care - Keep cutting edges sharp and clean for best and safest performance. Follow instructions for lubricating and changing accessories. Inspect lawn mower cord periodically and if damaged, have it repaired by an authorized service facility. Inspect extension cords periodically and replace if damaged. Keep handles dry, clean, and free from oil and grease.
- 17) Keep guards in place and in working order.
- 18) Keep blades sharp.
- 19) Keep hands and feet away from cutting area.
- 20) Objects struck by the lawn mower blade can cause severe injuries to persons. The lawn should always be carefully examined and cleared of all objects prior to each mowing.



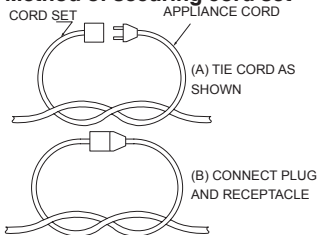
WARNING: Read all safety warnings and instructions. Failure to follow the warnings and instructions may result in electric shock, fire and/or serious injury.

- 21) If lawn mower strikes a foreign object, follow these steps:
- Stop lawn mower. Release the switch.
 - Unplug power cord.
 - Inspect for damage.
 - Repair any damage before restarting and operating the lawn mower.
- 22) Use identical replacement blades only.

Table 1
Minimum gauge for extension cords

Volts	Total length of cord			
	25' 7.2 m	50' 15.2 m	100' 30.4 m	150' 45.7 m
120 V				
Ampere rating more than not more than	AWG			
0-6	18	16	16	14
6-10	18	16	14	12
10-12	16	16	14	12
12-16	14	12	Not recommended	

Figure 1
Method of securing cord set



SAFETY

INSTRUCTIONS FOR WALK-BEHIND MOWERS

IMPORTANT

Safe Practices for Walk-Behind Mowers

I. GENERAL OPERATION

- Read, understand, and follow all instructions on the mower and in the manual(s) before starting.
- Do not put hands or feet near or under the mower. Keep clear of the discharge opening at all times.
- Only allow responsible adults, who are familiar with the instructions, to operate this mower.
- Clear the area of objects such as rocks, wire, toys, etc., which could be thrown by the blade. Stay behind the handle when the motor is running.
- Be sure the area is clear of bystanders before operating. Stop mower if anyone enters the area.
- Do not operate mower barefooted or while wearing sandals. Always wear proper footwear.
- Do not pull mower backward unless absolutely necessary. Always look down and behind before and while moving backward.
- Never direct discharged material toward anyone. Avoid discharging material against a wall or obstruction. Material may ricochet back toward the operator. Stop the blade when crossing gravel surfaces.
- Do not operate mower without the entire grass catcher, discharge guard, rear guard, or other safety protective devices in place and working.

SAVE THESE INSTRUCTIONS!

10. Never leave a running mower unattended.
11. Stop the motor and wait until the blade comes to a complete stop before cleaning the mower, removing grass catcher, or unclogging the discharge guard.
12. Operate mower only in daylight or good artificial light.
13. Do not operate mower while under the influence of alcohol or drugs.
14. Never operate mower in wet grass. Always be sure of your footing; walk, never run.
15. Disengage the drive system, if so equipped, before starting the motor.
16. If the mower should start to vibrate abnormally, stop the motor and check for the cause immediately. Vibration is generally a warning of trouble.
17. Always wear eye protection when operating mower.
18. See manufacturer's instructions for proper operation and installation of accessories. Only use accessories approved by the manufacturer.

II. SLOPE OPERATION

Slopes are a major factor related to slip and fall accidents, which can result in severe injury. Operation on all slopes requires extra caution. If you feel uneasy on a slope, do not mow it.

1. Mow across the face of slopes; never up and down. Exercise extreme caution when changing direction on slopes.
2. Watch for holes, ruts, bumps, rocks, or other hidden objects. Uneven terrain could cause a slip and fall accident. Tall grass can hide obstacles.

3. Do not mow on wet grass or excessively steep slopes. Poor footing could cause a slip and fall accident.
4. Do not mow near drop-offs, ditches, or embankments. You could lose your footing or balance.

III. CHILDREN

Tragic accidents can occur if the operator is not alert to the presence of children. Children are often attracted to the mower and the mowing activity. Never assume that children will remain where you last saw them.

1. Keep children out of the mowing area and under the watchful care of a responsible adult other than the operator.
2. Be alert and turn mower off if a child enters the area.
3. Never allow children to operate the mower.
4. Use extra care when approaching blind corners, shrubs, trees, or other objects that may block your view of a child.

IV. SERVICE

GENERAL SERVICE

1. Keep all nuts and bolts tight to be sure the mower is in safe working condition.
2. Never tamper with safety devices. Check their proper operation regularly.
3. Keep mower free of grass, leaves, or other debris build-up.
4. If you strike a foreign object, stop and inspect the mower. Repair, if necessary, before starting.
5. Never make any adjustments or repairs with the motor running.

6. Always unplug electric mowers before adjusting, cleaning, or repairing.
 7. Check grass catcher components and the discharge guard frequently and replace with manufacturer's recommended parts, when necessary.
 8. Mower blades are sharp. Wrap the blade or wear gloves, and use extra caution when servicing them.
 9. Maintain or replace safety and instruction labels, as necessary.
- e) Mow only in daylight or in good artificial light.
 - f) Never operate the mower on wet grass. Always be sure of your footing. Keep a firm hold on the handle and walk, never run.

1.3 Operation

Safe operation practices for walk-behind

1. Safety Instructions

1.1 Training

- a) Read the operating and service instruction manual carefully. Be thoroughly familiar with the controls and the proper use of the mower.
- b) Never allow children to operate a power mower.
- c) Keep the area of operation clear of all persons, particularly small children, and pets.
- d) Do not use a mower for any job except that for which it is intended.

1.2 Preparation

- a) Thoroughly inspect the area where the mower is to be used and remove all stones, sticks, wires, bones, and other foreign objects.
- b) Do not operate the mower when barefoot or wearing sandals. Always wear proper footwear.
- c) Disengage the self-propelled mechanism or drive clutch on units so equipped before starting the motor.
- d) Never attempt to make a wheel height adjustment while the motor is running.

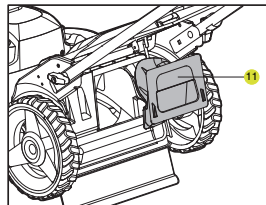
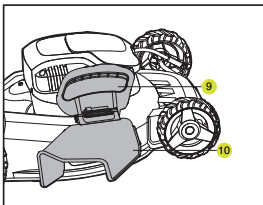
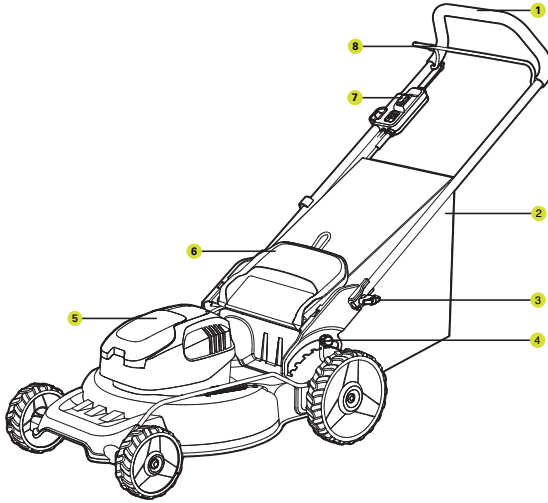
- a) Do not put hands or feet near or under rotating parts. Keep clear of the discharge opening at all times.
- b) Stop the blade(s) when crossing gravel drives, walks, or roads.
- c) After striking a foreign object, stop the motor, unplug, thoroughly inspect the mower for any damage, and repair the damage before restarting and operating the mower.
- d) If the mower should start to vibrate abnormally, stop the motor and check immediately for the cause. Vibration is generally a warning of trouble.
- e) Stop the motor and unplug whenever you leave the mower, before cleaning the mower housing, and before making any repairs or inspections.
- f) Shut the motor off and wait until the blade comes to a complete stop before removing the grass catcher or before unclogging the chute.
- g) Mow across the face of slopes, never up and down. Exercise extreme caution when changing direction on slopes. Do not mow excessively steep slopes.
- h) Never operate the mower without proper guards, plates, or other safety protective devices in place.
- i) Do not wash with a hose, avoid getting water in motor and electrical connections.

1.4 Maintenance

- a) Check the blade and the motor mounting bolts at frequent intervals for proper tightness.
- b) Keep all nuts, bolts, and screws tight to ensure the mower is in safe working condition.
- c) Check bag frequently for deterioration and wear, and replace worn bags. Check that replacement bags comply with the original manufacturer's recommendations or specifications.
- d) Replace the blade if it is bent or cracked. An unbalanced blade causes vibration that could damage the motor drive unit or cause personal injury.
- e) Sharpen a dull blade equally at each end to maintain the balance.
- f) Clean the blade thoroughly and check its balance by supporting it horizontally on a thin nail through its centre hole. The nail should also be in a horizontal position. If either end of the blade rotates downward, remove some metal from the heavy or lower end until the blade is balanced. It is balanced when neither end drops.

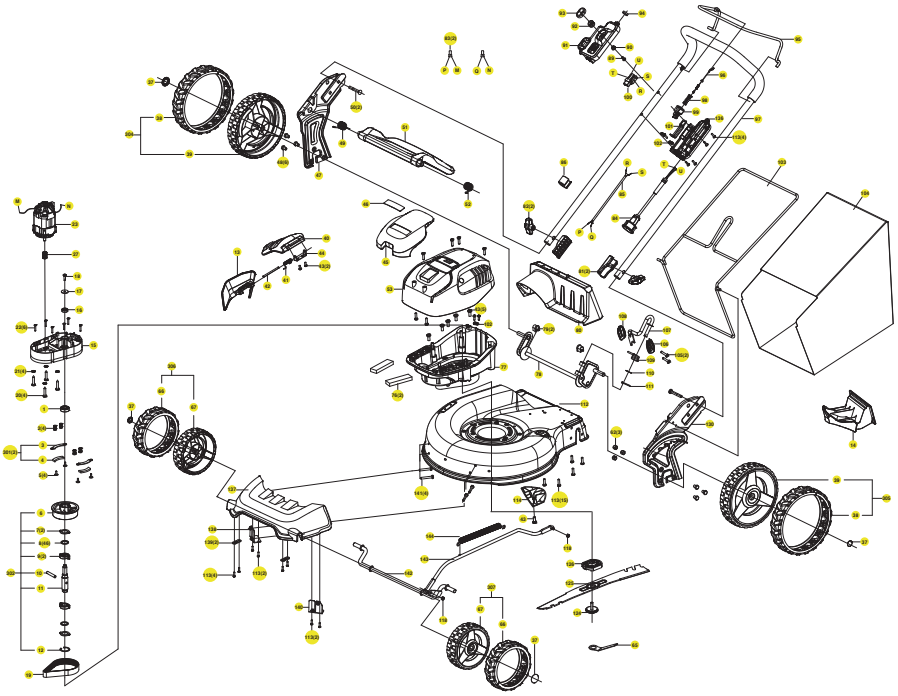
model number 060-1723-0 | contact us: 1.866.523.5218

- | | |
|---------------------------------|------------------------------|
| 1. Handle Bar | 8. Operating Bail |
| 2. Grass Collection Bag | 9. Side-Discharge Cover |
| 3. Handle Knob | 10. Side-Discharge Chute |
| 4. Handle Height Adjusting Knob | 11. Mulching Plug |
| 5. Motor Cover | 12. Blade Bolt (See Fig. K1) |
| 6. Safety Flap | 13. Blade (See Fig. K1) |
| 7. Safety Button | 14. Spacer (See Fig. K1) |



- | | | | |
|----------------------|---|----------------------|---|
| Grass collection bag | 1 | Side-discharge chute | 1 |
| Mulch plug | 1 | Spanner | 1 |

We recommend that you purchase your accessories listed in the above list from the same store that sold you the lawnmower. Refer to the accessory packaging for further details. Store personnel can assist you and offer advice.



model number 060-1723-0 | contact us: 1.866.523.5218

Item	Description	QTY.	Item	Description	QTY.
1	Ball Bearing	1	42	Cylindrical Pin	1
2	Spring	4	43	Screw M5X12	8
3	Brake Bracket	2	44	Angle Bracket	1
4	Brake Disc i	2	45	Front Decorate Cover	1
5	Self Tapping Screw ST3.0x10	4	46	Name Plate	1
6	Big Belt Wheel	1	47	Right Support Plate	1
7	Press Plate i	2	48	Bolt M8X12	6
8	Steel Ball	46	49	Spring	1
9	Shaft Cover	2	50	Bolt M8X50	2
10	Cylindrical Pin	1	51	Guard Flap	1
11	Output Shaft	1	52	Spring	1
12	Retaining Ring	1	53	Top Housing	1
13	Side Discharge Deflector	1	65	Spanner	1
14	Mulch Plate	1	66	Tire 180	1
15	Bracket	1	67	Wheel 170	1
16	Ball Bearing	1	76	Filter	2
17	Washer	1	77	Transmission Fixed	1
18	Screw Washer Assembly 4X16	1	78	Rear Axle	1
19	Timing Belt	1	79	Anti Grinding Plate	2
20	Self Tapping Screw ST4.8x25	4	80	Rear Cover	1
21	External Teeth Lock Washer	4	81	Insulation Cover	2
22	Self Tapping Screw ST4.2x25	6	82	Knob Assembly	2
23	Screw Washer Assembly M5X80	2	83	Terminal_port12	2
27	Timing Pinion	1	84	Wire	1
37	Retaining Ring	4	85	Inner Wire	1
38	Tire 250	1	86	Clip	1
39	Wheel 240	1	89	Self Tapping Screw ST2.9x8	1
40	Side Discharge Door	1	90	Backupring	1
41	Spring	1	91	Switch Cover i	1
			92	Spring	1
			93	Switch Button	1
			94	Sleeve	1
			95	Link Rod	1
			96	Steel Wire	1

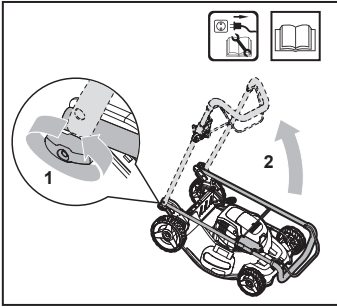
model number 060-1723-0 | contact us: 1.866.523.5218

Item	Description	QTY.
97	Pushing Rod	1
98	Spring	1
99	Fixed Assembly	1
100	Switch	1
101	Sliding Seat	1
102	Cord Clamp	2
103	Bag Frame	1
104	Dust Bag	1
105	Self Tapping Screw ST3.9x20	2
106	Handle Cover ii	1
107	Handle Substrate	1
108	Handle Cover i	1
109	Spring	1
110	Washer	1
111	Spring Pin	1
112	Deck	1
113	Self Tapping Screw ST3.9x16	27
114	Wind Deflector	1
118	Nut M6	3
124	Locking Knob	1
125	Blade	1
126	Washer	1
130	Left Support Plate	1
136	Switch Cover ii	1
137	Fore Cover	1
138	Clamping Plate 1	1
139	Press Plate	2
140	Clamping Plate 2	1
141	Bolt	4
142	Front Wheel Axle	1
143	Linkage	1
144	Drag Spring	1
301	Brake Disc	2

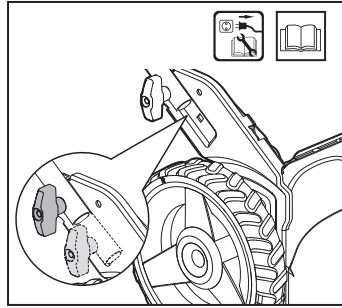
Item	Description	QTY.
302	Output Shaft Assembly	1
304	Right Rear Wheel	1
305	Left Rear Wheel	1
306	Right Front Wheel	1
307	Left Front Wheel	1

ASSEMBLY AND OPERATION

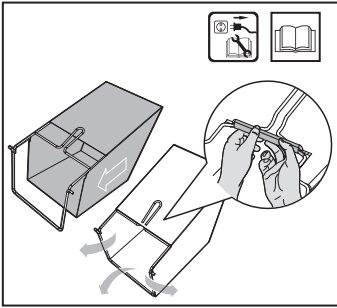
ACTION	FIGURE
ASSEMBLE	
Assembling the handle bar	See Fig. A1
Adjusting the height of the handle	See Fig. A2
Assembling the grass collection bag	See Fig. B
Assembling the grass collection bag to the lawn mower	See Fig. C1, C2, C3
Removing/emptying the grass collection bag	See Fig. C4
Installing side-discharge chute	See Fig. D1, D2
Installing mulching plug	See Fig. E1, E2
OPERATION	
Starting	See Fig. F1, F2
Stopping	See Fig. F3
Adjusting the cutting height	See Fig. G
STORAGE	See Fig. H1, H2



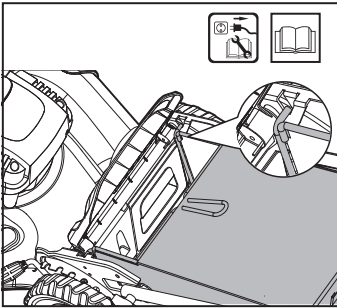
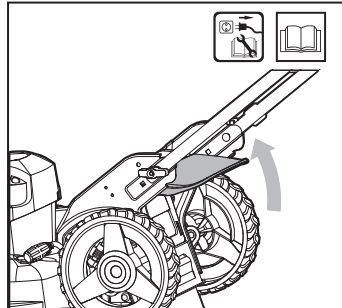
A1



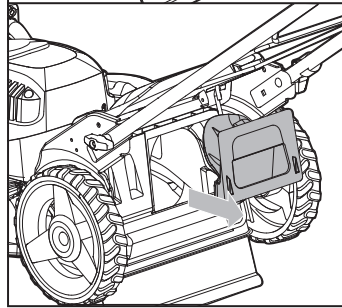
A2



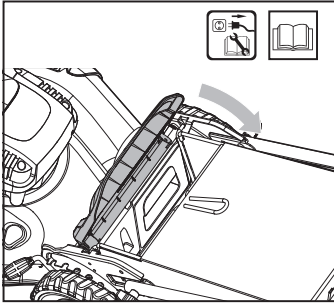
B



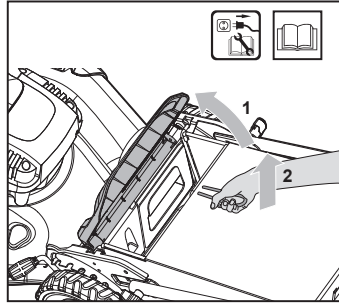
C2



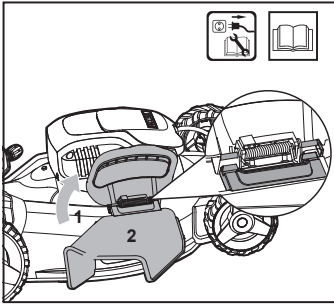
C1



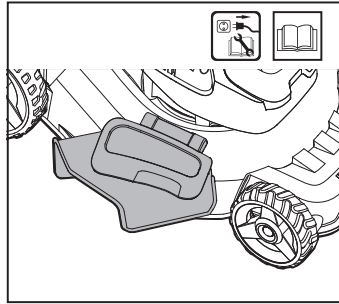
C3



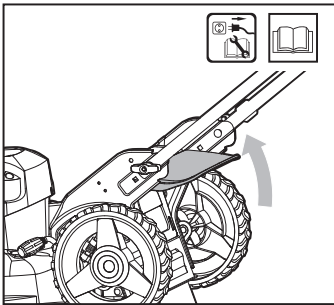
C4



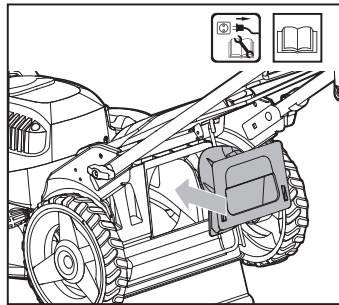
D1



D2

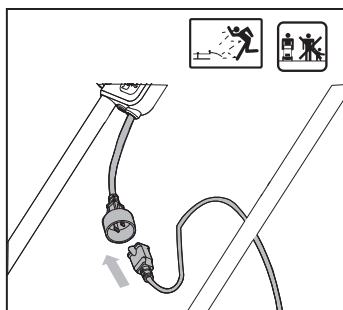


E1

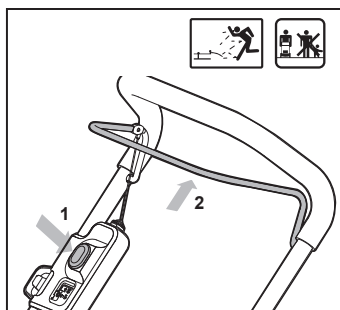


E2

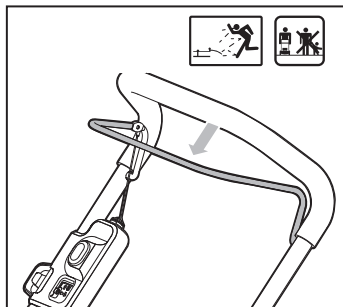
model number 060-1723-0 | contact us: 1.866.523.5218



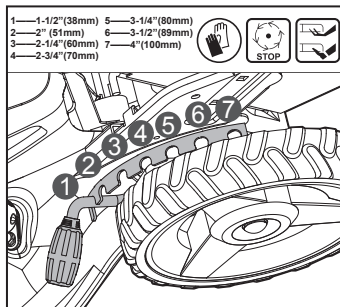
F1



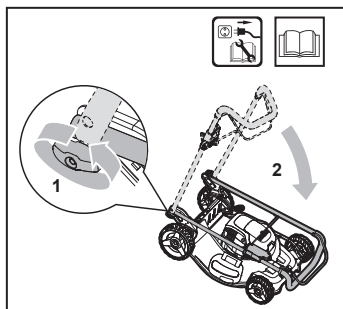
F2



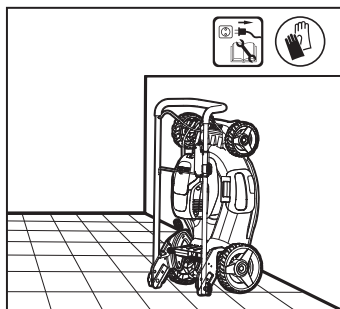
F3



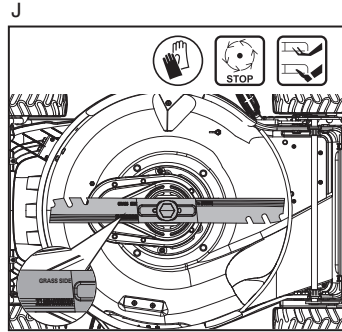
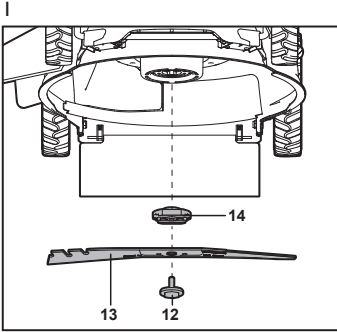
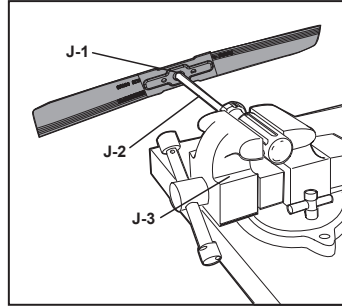
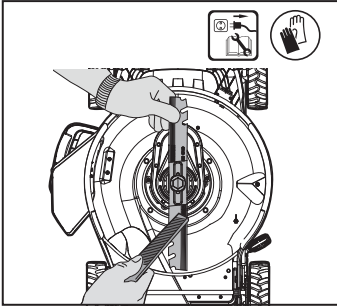
G



H1



H2



K1

K2

MULCHING MOWING TIPS


While mulching, your new mower is designed to cut the grass clippings into small pieces and distribute them back onto the lawn. Under normal conditions, the mulched grasses will biodegrade quickly to provide nutrients to the lawn.

Please review the following recommendations for optimum mulching performance.

1. Avoid mowing when the grass is wet from rain or dew. Wet grass may form clumps which interfere with the mulching action and reduce runtime. The best time to mow grass is in the late afternoon when the grass is dry and the newly cut area will not be exposed to direct sunlight.
2. For best mulching performance, set the cutting height to remove about one third of the grass blade length, ideally no more than 1 1/2" (3.1 cm) in. at one time. If the lawn is overgrown, it may be necessary to increase the cut height to reduce the pushing effort and prevent overloading the motor. For extremely heavy mulching, it is advisable to first cut at a high cut height setting, and then re-cut to the final cut height. Otherwise, make narrower cuts and mow slowly.
3. For best performance, keep the mower housing free of built-up grass. From time to time turn off mower and wait for the blade to come to a complete stop. Using an object such as a stick, wipe out any accumulation of grass in the blade area. Be careful of the sharp edges of the blade. Clean often in wet, new grass, and always after every use.
4. Certain types of grass or grass conditions may require that an area

be mulched a second time to fully disperse the grass throughout the lawn. If cutting a second time, it is advisable to cut perpendicular (across) the first cut pattern. **DO NOT CHANGE CUT PATTERN IN ANY WAY THAT WOULD CAUSE MOWING DOWN A HILL.**

5. Change your cutting pattern from week to week. This will help prevent matting and graining of the lawn.

 **CAUTION:** Do not attempt to unclog the blade chamber by dropping or tapping the mower on the ground. This can damage the unit. Keep hands clear of blade when cleaning.

MAINTENANCE

WARNING: Stop the mower and unplug the lawn mower before performing any maintenance.

NOTE: To ensure long and reliable service, perform the following maintenance procedures regularly. Check for obvious defects such as a loose, dislodged or a damaged blade, loose fittings, and worn or damaged components. Check that the covers and guards are all undamaged and are correctly attached to mower. Carry out any necessary maintenance or repairs before operating mower. If the mower should happen to fail despite regular maintenance, please call our customer helpline for advice 1-866-523-5218.

BLADE SHARPENING

Keep blade sharp for best mower performance. A dull blade does not cut grass cleanly or mulch properly.

Wear proper eye protection while removing, sharpening, and installing blade.

Sharpening the blade twice during a mowing season is usually sufficient under normal circumstances. Sand causes the blade to dull quickly. If your lawn has sandy soil, more frequent sharpening may be required.

Replace bent or damaged blade immediately.

WHEN SHARPENING THE BLADE: (See Fig I, page 18)

1. Make sure blade remains balanced.
2. Sharpen blade at the original cutting angle.
3. Sharpen cutting edges on both ends of blade to keep it balanced, removing equal amounts of material from both ends.

NOTE:

1. Be sure the mower is turned off and unplugged.
2. Place the mower in stand up storage mode.

BLADE BALANCING (See Fig J, page 18)

Check balance of blade by placing center hole in blade J-1 over a nail or screwdriver shank J-2, clamped horizontally in a vice J-3. If either end of the blade rotates downward, file that end. Blade is properly balanced when neither end drops.

BLADE MAINTENANCE (See Fig. K1, K2)

Replace your metal Blade after 50 hours mowing or 2 years, whichever is sooner-regardless of condition.

Follow these procedures to remove and replace the Blade. You will need garden gloves (not provided) and a spanner wrench (provided) to remove the Blade. Hold the Blade and unscrew the Blade Bolt counter-clockwise using a spanner wrench, and then remove the Blade.

To re-assemble, position the Blade with the cutting edges towards the ground. Then securely tighten the Blade Bolt.

STORAGE (See Fig. H1, H2)

Stop the mower and unplug.

Clean the exterior of the mower thoroughly using a soft brush and cloth. Do not use water, solvents or polishes. Remove all grass and debris, especially from the ventilation slots.

Turn the mower on its side and clean the blade area. If grass cuttings are compacted in the blade area, remove with a wooden or plastic implement.

Store the mower in a dry place. Do not place other objects on top of the mower.













To aid storage, release the handle knob and rotate or fold the upper handle.

Ensure cables are not stuck or entangled when folding or unfolding upper handles. do not drop the handles.

TROUBLE SHOOTING





PROBLEM	SOLUTION
1. Mower doesn't run when operation bail is activated.	Release switch lever to turn mower off. Remove safety key, turn mower over and check that blade is free to turn. If not free, return to an authorized servicer. Blade should turn freely.
2. Motor stops while mowing.	<p>A. Release switch lever to turn mower off. Remove safety key, turn mower over and check that blade is free to turn. If not free, return to an authorized servicer. Blade should turn freely.</p> <p>B. Raise cutting height of wheels to highest position and start mower.</p> <p>C. Avoid overloading the mower. Slow down the cutting pace by pushing mower slower or raise the cutting height. Or both.</p>
3. Mower runs but cutting performance is unsatisfactory, or does not cut entire lawn.	<p>A. Release operating bail to turn mower off. Turn mower over and check: Blade for sharpness - Keep blade sharp. Deck and discharge chute for clogging.</p> <p>B. Wheel height adjustment may be set too low for grass condition. Raise cutting height.</p>
4. Mower is too hard to push.	<p>A. Raise cutting height to reduce deck drag on grass. Check each wheel for free rotation.</p> <p>A. Release operating bail to turn mower off. Turn mower on side and check blade to ensure it has not been bent or damaged. If blade is damaged, replace with a replacement blade. If the underside of the deck is damaged return mower to an Authorized service centre.</p> <p>B. If there is no visible damage to the blade and the mower still vibrates: Release switch lever to turn mower off, remove blade. Rotate blade 180 degrees and retighten. If mower still vibrates, return the mower to an authorized service centre.</p>
5. Mower is abnormally noisy and vibrates.	<p>A. Remove mulch plate when bagging.</p> <p>B. Chute clogged. Release operating bail to turn mower off. Clear chute of grass clippings.</p> <p>C. Too much cut grass. Raise cutting height of wheels to shorten length of the cut.</p> <p>D. Bag full. Empty bag more often.</p>
6. Mower not picking up clippings with the Grass Collection Bag.	<p>A. Too much cut grass. Raise cutting height of wheels to shorten length of the cut. Do not cut off more than 1/3 of total blade length.</p> <p>B. Check blade for sharpness. Always keep blade sharp.</p>
7. When mulching there are clippings visible.	

model number 060-1723-0 | contact us: 1.866.523.5218

Symbol	Name	Designation/Explanation
V	Volts	Voltage
A	Amperes	Current
Hz	Hertz	Frequency (cycles per second)
W	Watts	Power
min	Minutes	Time
	Alternating Current	Type of current
	Direct Current	Type of current
	Class II Construction	Double-insulated construction
/min	Per Minute	Revolutions, strokes, surface speed, orbits etc., per minute.
	Read The Operator's Manual	To reduce the risk of injury, user must read instruction manual.
	Ear Protection	Wear ear protection.
	Operation condition	Do not expose to rain.
	WARNING	CPSC Danger label
	WARNING	Severing of toes or fingers-Rotary mower blade
	WARNING	Thrown objects from mower deck
	WARNING	Keep bystanders/children away
	WARNING	Safety alert
	WARNING	Slippery on slopes

SAVE THESE INSTRUCTIONS!

model number 060-1723-0 | contact us: 1.866.523.5218

Symbol	Name	Designation/Explanation
	WARNING	Read the operator's manual
	WARNING	Blade continues to rotate after the mower is switched off. Wait until all mower components have completely stopped before touching them.
	WARNING	Wear protective gloves
	WARNING	Before performing any work on the mower, pull the power plug from the outlet.

4-YEAR LIMITED WARRANTY

For Four (4) years from the date of purchase within Canada, YARDWORKS CANADA will, at its option, repair or replace for the original purchaser, free of charge, any part or parts found to be defective in material or workmanship.

THIS WARRANTY DOES NOT COVER

1. Any part that has become inoperative due to misuse, commercial use, abuse, neglect, accident, improper maintenance, or alteration;
2. The unit, if it has not been operated and/ or maintained in accordance with the owner's manual;
3. Normal wear, except as noted below;
4. Routine maintenance items such as lubricants, blade sharpening; or
5. Normal deterioration of the exterior finish due to use or exposure.

FULL ONE HUNDRED TWENTY (120) DAYS WARRANTY ON NORMAL WEAR PARTS

Normal wear parts are defined as blade adaptors, blades, grass bags and tires. These parts are warranted to the original purchaser to be free from defects in material and workmanship for a period of one hundred twenty (120) days from the date of retail purchase.

HOW TO OBTAIN SERVICE

Warranty service is available by calling the toll-free helpline, at 1.866.523.5218. The factory will not accept the return of a complete unit unless prior written permission has been extended by YARDWORKS CANADA.

TRANSPORTATION CHARGES

Transportation charges for the movement of any power mower unit or attachment are the responsibility of the purchaser. The purchaser must pay transportation charges for any part submitted for replacement under this warranty unless such return is requested in writing by YARDWORKS CANADA.

OTHER WARRANTIES

All other warranties, express or implied, including any implied warranty of merchantability is limited in its duration to that set forth in this express limited warranty. The provisions as set forth in this warranty provide the sole and exclusive remedy of YARDWORKS CANADA obligations arising from the sale of its products.