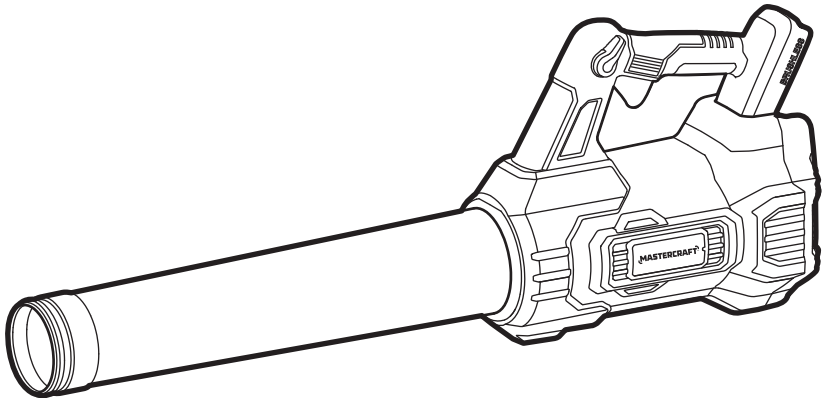


model no. 060-1550-0

MASTERCRAFTTM

CORDLESS BRUSHLESS LEAF BLOWER



IMPORTANT:

Read and understand this instruction manual thoroughly before using the product.

**INSTRUCTION
MANUAL**

TABLE OF CONTENTS

Technical Specifications	4
Safety Guidelines	5
Key Parts Diagram	10
Operating Instructions	11
Maintenance	13
Troubleshooting	14
Parts List	15
Warranty	17

NOTE:

If any parts are missing or damaged, or if you have any questions, please call our toll-free helpline at 1-800-689-9928.



SAVE THESE INSTRUCTIONS

- This manual contains important safety and operating instructions. Read all instructions and follow them when using this product.

TECHNICAL SPECIFICATIONS

Rated Voltage	20 V d.c.
Maximum Air Volume	410 CFM
Maximum Air Speed	100 MPH

*Maximum battery voltage without workload; with workload nominal voltage is 18 V.

Recommend using tool with Mastercraft® 20V max* Lithium-Ion 4.0 Ah battery (054-7557-6; sold separately) for optimal performance.

SAFETY GUIDELINES



WARNING!

Safety symbols in this Instruction Manual are used to flag possible dangers. The safety symbols and their explanations require your full understanding. The safety warnings do not, by themselves, eliminate any danger, nor are they substitutes for proper accident prevention measures.



WARNING!

This Safety Alert Symbol indicates caution, warning, or danger. Failure to obey a safety warning can result in serious injury to yourself or others. To reduce the risk of injury, fire, or electric shock, always follow the safety precautions.

KNOW YOUR TOOL

To operate this tool, carefully read this Instruction Manual and all labels affixed to the cordless blower before using. Keep this instruction manual available for future reference.

IMPORTANT SAFETY INSTRUCTIONS

This tool should only be serviced by a qualified service technician. For more information, call the toll-free helpline at 1-800-689-9928.

READ ALL INSTRUCTIONS BEFORE USING.

SAVE THESE INSTRUCTIONS.

GENERAL POWER TOOL SAFETY WARNINGS



WARNING!

Read all safety warnings, instructions, illustrations and specifications provided with this power tool. Failure to follow all instructions listed below may result in electric shock, fire and/or serious injury.

SAVE ALL WARNINGS AND INSTRUCTIONS FOR FUTURE REFERENCE.

The term “power tool” in the warnings refers to your mains-operated (corded) power tool or battery-operated (cordless) power tool.

WORK AREA SAFETY

- **Keep work area clean and well lit.** Cluttered or dark areas invite accidents.
- **Do not operate power tools in explosive atmospheres, such as in the presence of flammable liquids, gases or dust.** Power tools create sparks which may ignite the dust or fumes.
- **Keep children and bystanders away while operating a power tool.** Distractions can cause you to lose control.

ELECTRICAL SAFETY

- **Power tool plugs must match the outlet. Never modify the plug in any way. Do not use any adaptor plugs with earthed (grounded) power tools.** Unmodified plugs and matching outlets will reduce risk of electric shock.
- **Avoid body contact with earthed or grounded surfaces, such as pipes, radiators, ranges and refrigerators.** There is an increased risk of electric shock if your body is earthed or grounded.
- **Do not expose power tools to rain or wet conditions.** Water entering a power tool will increase the risk of electric shock.
- **Do not abuse the cord. Never use the cord for carrying, pulling or unplugging the power tool. Keep cord away from heat, oil, sharp edges or moving parts.** Damaged or entangled cords increase the risk of electric shock.
- **When operating a power tool outdoors, use an extension cord suitable for outdoor use.** Use of a cord suitable for outdoor use reduces the risk of electric shock.
- **If operating a power tool in a damp location is unavoidable, use a ground fault circuit interrupter (GFCI) protected supply.** Use of an GFCI reduces the risk of electric shock.

PERSONAL SAFETY

- **Stay alert, watch what you are doing and use common sense when operating a power tool. Do not use a power tool while you are tired or under the influence of drugs, alcohol or medication.** A moment of inattention while operating power tools may result in serious personal injury.
- **Use personal protective equipment. Always wear eye protection.** Protective equipment such as a dust mask, non-skid safety shoes, hard hat or hearing protection used for appropriate conditions will reduce personal injuries.
- **Prevent unintentional starting. Ensure the switch is in the off-position before connecting to power source and/or battery pack, picking up or carrying the tool.** Carrying power tools with your finger on the switch or energising power tools that have the switch on invites accidents.
- **Remove any adjusting key or wrench before turning the power tool on.** A wrench or a key left attached to a rotating part of the power tool may result in personal injury.
- **Do not overreach. Keep proper footing and balance at all times.** This enables better control of the power tool in unexpected situations.
- **Dress properly. Do not wear loose clothing or jewellery. Keep your hair and clothing away from moving parts.** Loose clothes, jewellery or long hair can be caught in moving parts.
- **If devices are provided for the connection of dust extraction and collection facilities, ensure these are connected and properly used.** Use of dust collection can reduce dust-related hazards.
- **Do not let familiarity gained from frequent use of tools allow you to become complacent and ignore tool safety principles.** A careless action can cause severe injury within a fraction of a second.

POWER TOOL USE AND CARE

- **Do not force the power tool. Use the correct power tool for your application.** The correct power tool will do the job better and safer at the rate for which it was designed.
- **Do not use the power tool if the switch does not turn it on and off.** Any power tool that cannot be controlled with the switch is dangerous and must be repaired.
- **Disconnect the plug from the power source and/or remove the battery pack, if detachable, from the power tool before making any adjustments, changing accessories, or storing power tools.** Such preventive safety measures reduce the risk of starting the power tool accidentally.
- **Store idle power tools out of the reach of children and do not allow persons unfamiliar with the power tool or these instructions to operate the power tool.** Power tools are dangerous in the hands of untrained users.
- **Maintain power tools and accessories. Check for misalignment or binding of moving parts, breakage of parts and any other condition that may affect the power tool's operation. If damaged, have the power tool repaired before use.** Many accidents are caused by poorly maintained power tools.
- **Keep cutting tools sharp and clean.** Properly maintained cutting tools with sharp cutting edges are less likely to bind and are easier to control.
- **Use the power tool, accessories and tool bits, etc. in accordance with these instructions, taking into account the working conditions and the work to be performed.** Use of the power tool for operations different from those intended could result in a hazardous situation.
- **Keep handles and grasping surfaces dry, clean and free from oil and grease.** Slippery handles and grasping surfaces do not allow for safe handling and control of the tool in unexpected situations.

BATTERY TOOL USE AND CARE

- **Recharge only with the charger specified by the manufacturer.** A charger that is suitable for one type of battery pack may create a risk of fire when used with another battery pack.
- **Use power tools only with specifically designated battery packs.** Use of any other battery packs may create a risk of injury and fire.
- **When battery pack is not in use, keep it away from other metal objects, like paper clips, coins, keys, nails, screws or other small metal objects, that can make a connection from one terminal to another.** Shorting the battery terminals together may cause burns or a fire.
- **Under abusive conditions, liquid may be ejected from the battery; avoid contact. If contact accidentally occurs, flush with water. If liquid contacts eyes, seek additional medical help.** Liquid ejected from the battery may cause irritation or burns.
- **Do not use a battery pack or tool that is damaged or modified.** Damaged or modified batteries may exhibit unpredictable behaviour resulting in fire, explosion or risk of injury.
- **Do not expose a battery pack or tool to fire or excessive temperature.** Exposure to fire or temperature above 130°C (265°F) may cause an explosion.

- **Follow all charging instructions and do not charge the battery pack or tool outside the temperature range specified in the instructions.** Charging improperly or at temperatures outside the specified range may damage the battery and increase the risk of fire.

SERVICE

- **Have your power tool serviced by a qualified repair person using only identical replacement parts.** This will ensure that the safety of the power tool is maintained.
- **Never service damaged battery packs.** Service of battery packs should only be performed by the manufacturer or authorized service providers.

SAFETY INSTRUCTIONS FOR BLOWER

- **Know your power blower. Read the instruction manual carefully. Learn the blower's applications and limitations, as well as the specific potential hazards related to this blower.** Following this rule will reduce the risk of electric shock, fire, or serious injury.
- **Do not allow the blower to be used as a toy.** Close attention is necessary when used by or near children.
- **Use only as described in this manual. Use only manufacturer's recommended attachments.**
- **If the blower is not working as it should, has been dropped, damaged, left outdoors, or dropped into water, return it to a service centre.**
- **Do not handle the charger, including charger plug, or charger terminals, with wet hands.**
- **Do not put any object into any openings. Do not use with any opening blocked; keep openings free of dust, lint, hair, and anything that may reduce airflow.**
- **Keep hair, loose clothing, fingers, and all parts of body away from openings and moving parts. Loose clothes, jewellery, or long hair can be drawn into air vents.**
- **Secure long hair above shoulder level to prevent entanglement in moving parts.**
- **Use extra care when cleaning on stairs.**

ADDITIONAL SAFETY GUIDELINES FOR BLOWER

- The label on your tool may include the following symbols. The symbols and their definitions are as follows:

V Volts

A Amperes

W Watts

min Minutes

 or d.c. ... Direct current

n_0 No-load speed



..... Class II Construction

CFM Cubic feet per minute

MPH Miles per hour



..... WARNING – To reduce the risk of injury, user must read instruction manual.



..... WARNING – To reduce the risk of injury, always wear eye protection.



..... WARNING – To reduce the risk of injury, always wear ear protection.



..... The logo of UL certification

UL
LISTED
GARDENING APPLIANCE
E490727



WARNING!

To reduce the risk of electric shock or damage to the charger and battery, use only the Mastercraft® batteries and chargers listed.

BATTERY PACKS

054-3124-0, 054-7553-4, 054-7557-6

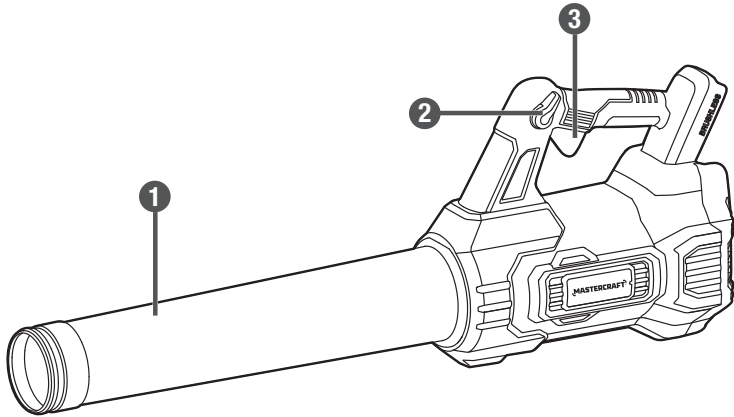
CHARGERS

054-3126-6, 054-7559-2

- **For best results, your battery and tool should be stored, charged, and used in a location where the temperature is more than 5°C (41°F) but less than 40°C (104°F).** Do not store outside or in vehicles.

PACKAGE CONTENTS:

Cordless blower, blower tube.

KEY PARTS DIAGRAM

No.	Description
1	Blower tube
2	Trigger-lock lever

No.	Description
3	Variable-speed trigger switch

Before attempting to use this tool, become familiar with all of its operating features and safety requirements. For optimum performance and safety, read the following operating instructions carefully before using.

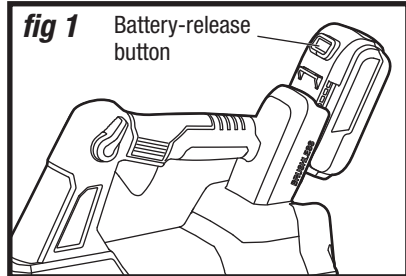
**WARNING!**

- Remove the blower from the package and examine it carefully. Do not discard the carton or any packaging material until all parts have been examined.
- If any part of the blower is missing or damaged, do not attach the battery pack to the tool or use the tool until the part has been repaired or replaced. Failure to heed this warning could result in serious injury.
- Do not allow familiarity with the blower to cause a lack of alertness. A fraction of a second of carelessness is enough to cause severe injury.

OPERATING INSTRUCTIONS

TO ATTACH BATTERY PACK (fig 1)

1. Make sure that the switch is in the OFF position.
2. Align the raised portion on the battery pack with the grooves on the bottom of the tool, and then slide the battery pack onto the tool as shown.
3. Ensure that the battery-release button on the battery pack snaps into place and that battery pack is secured to the tool before beginning operation.



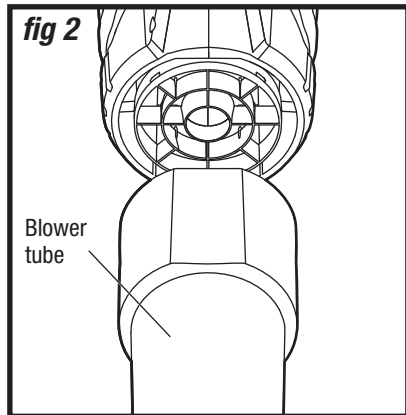
TO DETACH THE BATTERY PACK (fig 1)

1. Ensure that the switch is in the OFF position.
2. Depress the battery-release button located on the front of the battery pack to release the battery pack.
3. Pull rearward on the battery pack to remove it from the tool.

ASSEMBLING THE BLOWER TUBE (fig 2)

This product requires assembly before using. To prevent accidental starting that could cause serious personal injury, always remove the battery pack from the tool when assembling parts.

1. Align the flat surface on the blower tube with the flat place on the top of blower housing, and then insert the tube into the blower housing.
2. To remove the blower tube, just pull it straight out from the blower.



NOTICE: When placing a battery pack on the tool, be sure that the raised rib on the battery pack aligns with the groove on the cordless blower and the latches snap into place properly. Improper assembly of the battery pack can cause damage to internal components.

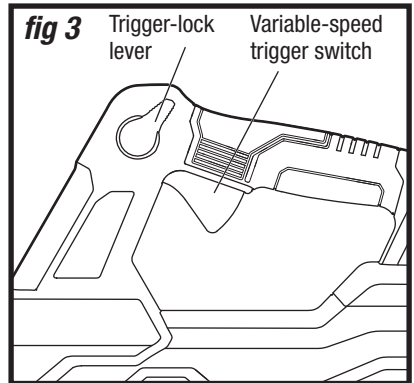


WARNING!

- To avoid the possibility of accidental starting, always take care not to activate the variable-speed trigger switch when you are attaching the battery pack or performing other adjustments to the tool.

TO TURN THE BLOWER ON (fig 3)

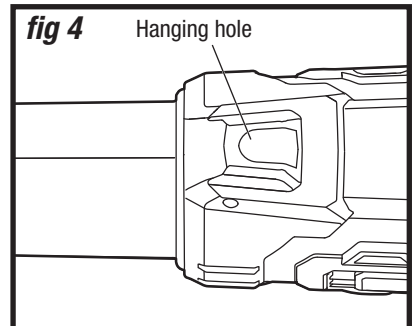
1. To turn the blower on, depress the variable-speed trigger switch.
2. The variable-speed trigger switch delivers higher speed with increased trigger pressure and lower speed with decreased trigger pressure.
3. To lock the blower on the chosen speed, move the trigger-lock lever toward the back of the tool.
4. The trigger-lock lever can also be pulled back to start the blower without needing to first depress the variable-speed trigger switch. The blower runs at higher speeds as the lever is moved further back.

**TO TURN THE BLOWER OFF (fig 3)**

1. If the trigger-lock lever is not engaged, release the variable-speed trigger switch to turn off the blower.
2. If the trigger-lock lever is engaged, move the trigger-lock lever forward to the unlocked position to turn off the blower.

HANGING HOLE (fig 4)

The blower is equipped with a hanging hole. The blower can be hung from a screw or nail for storage.

**TIPS FOR OPERATING THE BLOWER**

1. Always wear eye protection with side shields marked to comply with ANSI Z87.1, along with hearing protection. Failure to do so could result in objects being thrown into your eyes and other possibly serious injuries.
2. To keep from scattering debris, blow around the outer edges of a debris pile. Never blow directly into the centre of a pile.
3. Use rakes and brooms to loosen debris before blowing it to clear it. In dusty conditions, slightly dampen surfaces if water is available.
4. Watch out for children, pets, open windows, or freshly washed cars and blow debris safely away.

MAINTENANCE

The tool may be cleaned most effectively with compressed dry air. Always wear safety goggles when cleaning tools with compressed air.

Before each use:

- Check for damaged, missing, or worn parts.
- Check for loose screws, misalignment or binding of moving parts, or any other condition that may affect the operation.
- If abnormal vibration or noise occurs, turn the tool off immediately and have the problem corrected before further use.



WARNING!

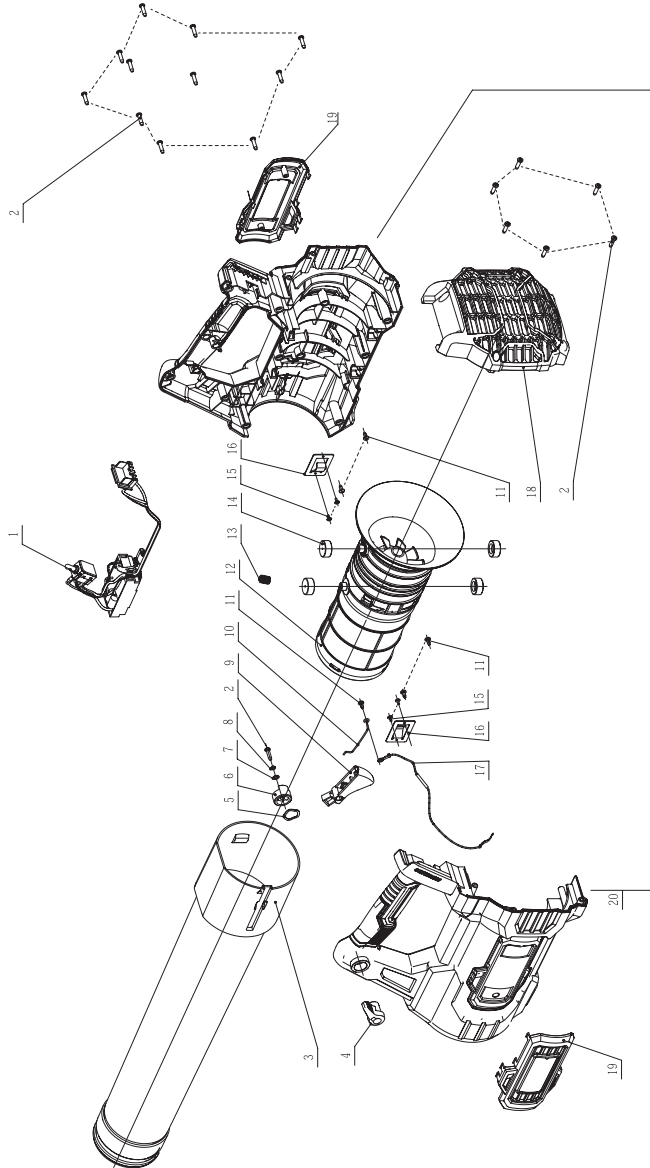
- Do not allow brake fluids, gasoline, petroleum-based products, penetrating oil, etc., to come into contact with plastic parts. These substances contain chemicals that can damage, weaken, or destroy plastic.
- When servicing, use only identical replacement parts. The use of any other parts may create a hazard or cause damage to the product.
- Use only accessories that are recommended for this blower by the manufacturer. Accessories that may be suitable for one tool may become hazardous when used with another tool.
- To ensure safety and reliability, all repairs should be performed by a qualified service technician.

TROUBLESHOOTING

Problem	Possible causes	Solutions
The blower does not work.	The battery pack is depleted. The battery pack or blower is too hot.	Charge the battery pack. Turn off the blower and allow the blower and battery pack to cool.
The air velocity is noticeably decreased.	The air inlet is blocked by debris.	Remove the battery pack and clear the debris.

If the problem remains unsolved after performing the checks described above, call the toll-free helpline at 1-800-689-9928.

EXPLODED VIEW



No.	Part No.	Description
1	2830617000	Electric Assembly
2	5610294000	Tapping Screw
3	3129093000	Tube
4	3128762000	Speed Adjusting Knob
5	5650058000	Wave Washer
6	3128759000	Intermediate Wheel
7	5650006000	Plain Washer
8	5650008000	Spring Washer
9	3128761000	Switch Trigger
10	3650227000	Anti-static Bar

No.	Part No.	Description
11	5610021000	Tapping Screw
12	2825518000	Ducted Set
13	3660013000	Spring1
14	5650519000	Rubber Gasket
15	5620176000	Screw With Washer
16	3706390000	Clamp Washer
17	4970333000	Static Dissipation Assembly
18	3127472000	Fan Baffle
19	3127466000	Right Cover
20	3900240000	L R Housing Set

If any parts are missing or damaged, or if you have any questions, please call the toll-free helpline at 1-800-689-9928.



This product is guaranteed for a period of **3 years from the date of original retail purchase** against defects in workmanship and materials, except for the following components:

- a) Component A: Batteries, chargers and carrying case, which are guaranteed for a period of 2 years from the date of original retail purchase against defects in workmanship and materials;
- b) Component B: Accessories, which are guaranteed for a period of 1 year from the date of original retail purchase against defects in workmanship and materials.

Subject to the conditions and limitations described below, this product, if returned to us with proof of purchase within the stated warranty period and if covered under this warranty, will be repaired or replaced (with the same model, or one of equal value or specification), at our option. We will bear the cost of any repair or replacement and any costs of labour relating thereto.

These warranties are subject to the following conditions and limitations:

- a) a bill of sale verifying the purchase and purchase date must be provided;
- b) this warranty will not apply to any product or part thereof which is worn or broken or which has become inoperative due to abuse, misuse, accidental damage, neglect or lack of proper installation, operation or maintenance (as outlined in the applicable owner's manual or operating instructions) or which is being used for industrial, professional, commercial or rental purposes;
- c) this warranty will not apply to normal wear and tear or to expendable parts or accessories that may be supplied with the product that are expected to become inoperative or unusable after a reasonable period of use;
- d) this warranty will not apply to routine maintenance and consumable items such as, but not limited to, fuel, lubricants, vacuum bags, blades, belts, sandpaper, bits, fluids, tune-ups or adjustments;
- e) this warranty will not apply where damage is caused by repairs made or attempted by others (i.e., persons not authorized by the manufacturer);
- f) this warranty will not apply to any product that was sold to the original purchaser as a reconditioned or refurbished product (unless otherwise specified in writing);
- g) this warranty will not apply to any product or part thereof if any part from another manufacturer is installed therein or any repairs or alterations have been made or attempted by unauthorized persons;

- h) this warranty will not apply to normal deterioration of the exterior finish, such as, but not limited to, scratches, dents, paint chips, or to any corrosion or discolouring by heat, abrasive and chemical cleaners; and
- i) this warranty will not apply to component parts sold by and identified as the product of another company, which shall be covered under the product manufacturer's warranty, if any.

Additional Limitations

This warranty applies only to the original purchaser and may not be transferred. Neither the retailer nor the manufacturer shall be liable for any other expense, loss or damage, including, without limitation, any indirect, incidental, consequential or exemplary damages arising in connection with the sale, use or inability to use this product.

Notice to Consumer

This warranty gives you specific legal rights, and you may have other rights, which may vary from province to province. The provisions contained in this warranty are not intended to limit, modify, take away from, disclaim or exclude any statutory warranties set forth in any applicable provincial or federal legislation.

Made in China

Imported by

Mastercraft Canada Toronto, Canada M4S 2B8