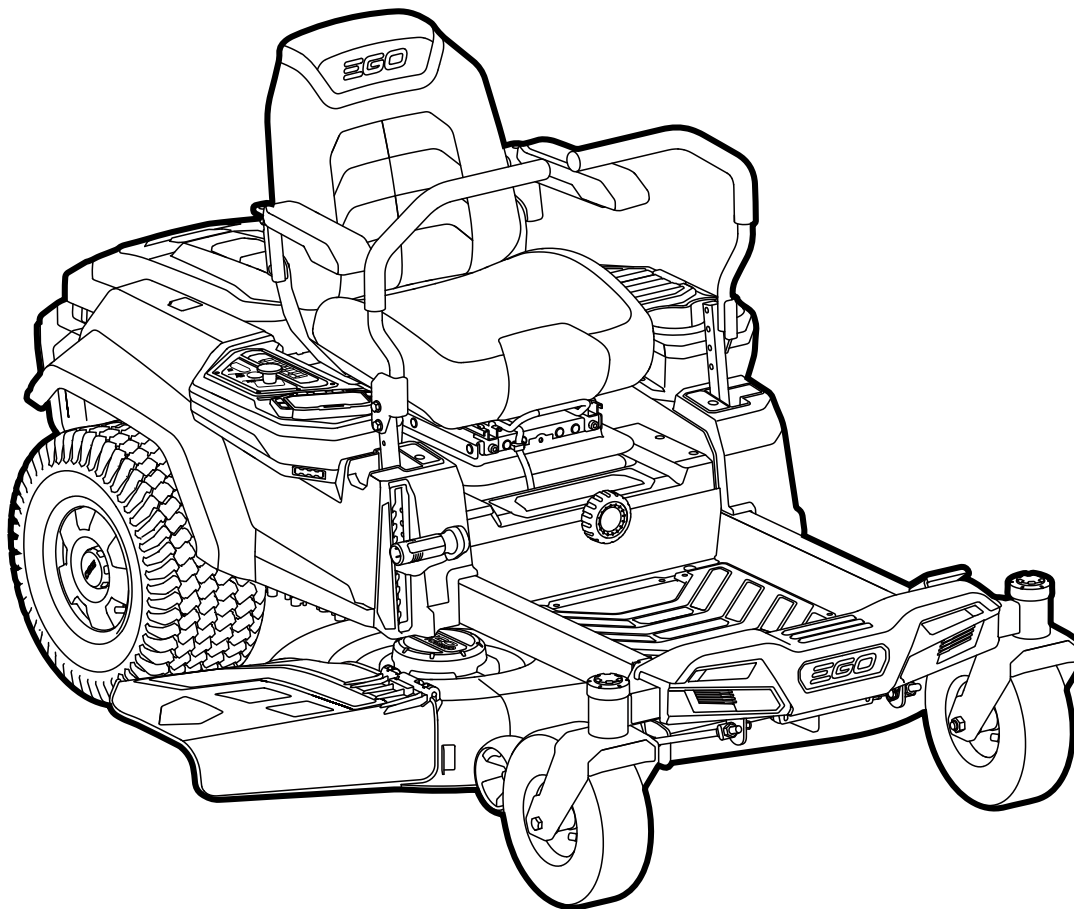


EGO™

POWER⁺ ELECTRIC ZERO TURN MOWER



OPERATOR'S MANUAL
**56-VOLT LITHIUM-ION
ELECTRIC
ZERO TURN MOWER**

MODEL NUMBER ZT4200L/ZT4200L-FC

Français p. 69

Español p. 145



WARNING: To reduce the risk of injury, the user must read and understand the Operator's Manual before using this product. Save these instructions for future reference.

TABLE OF CONTENTS

Safety Symbols	3
Safety Instructions	4-6
Safe Operation Practices for Ride-on Mower	7-10
Introduction	11
Specifications	11
Recommended Accessories for the Electric Zero Turn Mower	12
Description	13-21
Assembly	22-29
Operation	30-43
Maintenance	43-56
Troubleshooting	57-60
Fault Code & Status Indicator Reference	61-66
Warranty	67-68

READ ALL INSTRUCTIONS!



READ & UNDERSTAND OPERATOR'S MANUAL

SAFETY SYMBOLS

The purpose of safety symbols is to attract your attention to possible dangers. The safety symbols and the explanations with them deserve your careful attention and understanding. The symbol warnings do not, by themselves, eliminate any danger. The instructions and warnings they give are no substitutes for proper accident prevention measures.

⚠ WARNING: Be sure to read and understand all safety instructions in this Operator's Manual, including all safety alert symbols such as "**DANGER**," "**WARNING**," and "**CAUTION**" before using this tool. Failure to follow all instructions listed below may result in electric shock, fire, and/or serious personal injury.

SYMBOL MEANING

⚠ SAFETY ALERT SYMBOL: Indicates **DANGER**, **WARNING**, or **CAUTION**. May be used in conjunction with other symbols or pictographs.



⚠ WARNING: The operation of any power tools can result in foreign objects being thrown into your eyes, which can result in severe eye damage. Before beginning power tool operation, always wear safety goggles or safety glasses with side shields and a full face shield when needed. We recommend a Wide Vision Safety Mask for use over eyeglasses or standard safety glasses with side shields. Always use eye protection which is marked to comply with ANSI Z87.1.

SAFETY INSTRUCTIONS

This page depicts and describes safety symbols that may appear on this product. Read, understand, and follow all instructions on the machine before attempting to assemble and operate.

	<p>Safety Alert</p>	<p>Indicates a potential personal injury hazard.</p>
	<p>Read & Understand Operator's Manual</p>	<p>To reduce the risk of injury, user must read and understand operator's manual before using this product.</p>
	<p>Eye Protection</p>	<p>Always wear safety goggles or safety glasses with side shields and a full face shield when operating this product.</p>
	<p>Maintain Safety Devices</p>	<p>Do not open or remove safety shields while the product is running.</p>
	<p>WARNING — Keep Hands and Feet Away</p>	<p>To reduce the risk of injury, keep hands and feet away from rotating parts. Do not operate unless discharge cover or grass bag is in its proper place. If damaged, replace immediately.</p>
	<p>DANGER — Keep Bystanders Away</p>	<p>Do not mow when children or others are around.</p>
	<p>Never carry children</p>	<p>Never carry children or anyone, even when the blades are off.</p>
	<p>Look behind while backing.</p>	<p>Always look down and behind you before and when maneuvering in reverse or turning around. Make sure children, bystanders, and pets are clear of the area.</p>
	<p>DANGER — Steep slope hazard</p>	<p>Use extra caution on slopes. Do not mow slopes greater than 15 degrees. Do not use on slopes near open water.</p>
	<p>DANGER — Thrown objects</p>	<p>Remove objects that can be thrown by the blade in any direction. Wear safety glasses.</p>
	<p>DANGER — Go over the edge or into the water</p>	<p>Stay at least two mowing widths (7ft) away from any ditches, drop-offs, or water to avoid accident going over the edge or into the water.</p>

	Parking	Illuminates when the parking brake is set.
	PTO Switch	Engages the blades.
	Start/Stop Button	After the safety key is inserted, press the start/stop button for 3 seconds to start the mower.
	Driving-Speed Adjustment Button	Press “” to increase the top driving speed of the mower.
	Driving-Speed Adjustment Button	Press “” to reduce the top driving speed of the mower.
	Blade-Speed Adjustment Button	Press “+” to accelerate the blade speed.
	Blade-Speed Adjustment Button	Press “-” to decrease the blade speed.
	Recycle Symbols	This product uses lithium-ion (Li-ion) batteries. Local, state, or federal laws may prohibit disposal of batteries in ordinary trash. Consult your local waste authority for information regarding available recycling and/or disposal options.
IPX4	Ingress Protection Degree	Protection from splashing water
V	Volt	Voltage
A	Amperes	Current
Hz	Hertz	Frequency (cycles per second)
W	Watt	Power
	Direct Current	Type or a characteristic of current
mm	Millimeter	Length of size
in.	Inch	Length or size
Ft-lb	Foot-pound	Torque

Nm	Newton meter	Torque
kg	Kilogram	Weight
lb	Pound	Weight
°C	Celsius	Temperature
°F	Fahrenheit	Temperature
MPH	Miles Per Hour	Velocity
km/h	Kilometers Per Hour	Velocity
RPM	Revolutions per minute	Rotational speed
PSI	Pounds per square inch	Intensity of pressure
kPa	Kilopascal	Intensity of pressure

NOTE: See Fig. 1 & 3 for additional LCD symbols and operation instructions.

⚠ WARNING: To ensure safety and reliability, all repairs should be performed by a qualified service technician.

SAFE OPERATION PRACTICES FOR RIDE-ON MOWER

⚠ DANGER: This machine is capable of amputating hands and feet and throwing objects. Failure to observe the following safety instructions could result in serious injury or death.

GENERAL INFORMATION

- Read, understand, and follow instructions and warnings in this manual and on the machine and attachments.
- Only allow operators, who are responsible, trained, familiar with the instructions, and physically capable to operate the machine.
- Do not carry passengers and keep bystanders away.
- Do not operate the machine while under the influence of alcohol or drugs.
- Follow the manufacturer's recommendation for wheel weights or counterweights.

PREPARATION BEFORE OPERATING

- Clear the operating area of any objects which could be thrown by or interfere with operation of the machine.
- Keep the area of operation clear of all bystanders, particularly small children. Stop the machine and attachment(s) if anyone enters the area.
- Do not operate the machine without the entire grass catcher, discharge chute, or other safety devices in place and functioning properly. Check frequently for signs of wear or deterioration and replace as needed.
- Wear appropriate personal protective equipment such as safety glasses, hearing protection, and footwear.

OPERATION

- Only operate the machine in daylight or good artificial light.
- Avoid holes, ruts, bumps, rocks, or other hidden hazards. Uneven terrain could overturn the machine, or cause operator to lose their balance or footing.
- Do not put hands or feet near rotating parts or under the machine. Keep clear of the discharge opening at all times.
- Do not direct discharge material toward anyone. Avoid discharging material against a wall or obstruction. Material may ricochet back toward the operator. Stop the blade(s) when crossing gravel surfaces.
- Do not leave a running machine unattended. Always park on level ground, disengage the attachment, set parking brake, and stop the motor.
- Do not mow in reverse unless absolutely necessary. Always look down and behind before and while backing.
- Avoid mowing wet grass. Poor footing could cause a slip and fall accident.
- If situations occur that are not covered in this manual, use care and good judgment. Contact EGO Customer Service for assistance.
- Use only with the battery packs and chargers listed below:

BATTERY PACK	CHARGER
BA1400, BA1400-FC, BA2800, BA2800-FC, BA4200, BA4200-FC, BA1400T, BA1400T-FC, BA2800T, BA2800T-FC, BA4200T, BA4200T-FC, BA5600T, BA5600T-FC	CHV1600, CHV1600-FC

NOTICE: It is required for starting this ride-on mower to use with total 15Ah (2 X BA4200/BA4200T) or HIGHER Ah EGO batteries; For best performance, we recommend of EGO batteries that are 30Ah or HIGHER.

CHILDREN SPECIFIC

- Tragic accidents can occur if the operator is not alert to the presence of children. Children are often attracted to the machine and the mowing activity. Never assume that children will remain where you last saw them.
- Keep children out of the operating area and under the watchful care of a responsible adult other than the operator.
- Do not carry children, even with the blade(s) shut off. Children could fall off and be seriously injured or interfere with safe machine operation. Children who have been given rides in the past could suddenly appear in the mowing area for another ride and be run over or backed over by the machine.

SLOPE SPECIFIC

⚠ WARNING: Slopes are a major factor related to accidents. Operation on slopes requires extra caution.

- Travel in the manufacturer recommended direction on slopes. Use caution while operating near drop-offs.
- Do not operate machine under any condition where traction, steering, or stability is in question. Tires could slide even if the wheels are stopped.
- Always keep the machine in gear when going down slopes. Do not coast downhill.
- Avoid starting and stopping on slopes. Avoid making sudden changes in speed or direction. Make turns slowly and gradually.
- Use extra care while operating machine with a grass catcher or other attachment(s). They can affect the stability of the machine.

HAULING

- Use full width ramps for loading and unloading a machine for transport.

TRANSPORT

- The machine is heavy and can cause serious crushing injuries. Be extra cautious when it is loaded on or unloaded from a vehicle or trailer.
- Use full width ramps for loading machine into a trailer or truck.
- Use an approved trailer to transport the machine. Operate the park brake by securing the steering levers in the open position and set the park brake pedal at the braking position. Fasten the machine down with approved devices such as bands, chains or straps.
- Both front and rear tie down straps must be used and directed down and out from the machine.

⚠ WARNING: Use extreme caution when loading the machine into a truck or trailer using ramps. There is the possibility of serious injury or death if the machine falls off the ramps.

⚠ WARNING: The park brake is not sufficient to lock the machine in place during transport. Ensure that the machine is well fastened to the transport vehicle. Always reverse the machine onto the transport vehicle to avoid tipping it over.

- Do not operate this machine on public roadways.
- Check and abide by local traffic regulations before transporting the machine on roads.
- Do not tow this machine, it may cause damage to the drive system.

- Load the unit onto truck or trailer by driving up ramps of suitable strength using a slow speed. Do not lift! The machine is not intended to be lifted by hand.
- When loading or unloading this machine, do not use more than the maximum recommended operation angle of 15 degrees.

TOWING

- **Do not tow a cart that exceeds 250 lbs. (113 kg) total rolling weight and never exceed 50 lbs. (22 kg) tongue weight.** The weight of the cart and other specifications are included in the owner's manual supplied with your cart.
- **Attach towed cart only to the hitch.** Risk of personal injury or property damage.
- **Never allow children or other persons in or on towed cart.** Risk of personal injury.
- **Do not tow on inclines more than 5 degrees / 9%.** The weight of the towed cart may cause loss of traction, loss of control and the ability to stop when towing on inclined surface.
- **Always use extra caution when towing with your zero-turn mower.** Make wide turns to avoid jack-knifing. Use care when reversing.
- **Drive at slow speed and allow extra distance to stop.**
- **Do not tow near ditches, canals, and other hazards.** There is a risk of loss of traction or control.
- **Follow all the warnings and instructions provided by the cart manufacturer.** Failure to follow all instructions may result in personal injury or property damage.
- Follow the manufacturer's recommendation for weight limits for towed equipment and towing on slopes.

SERVICE

⚠ WARNING: Grass bag components, the side discharge cover, mulching insert are subject to wear and damage, which could expose moving parts or allow objects to be thrown and could increase the risk of injury. For safety protection, frequently check all components and replace damaged components immediately with identical replacement parts, listed in this manual.

- Keep machine in good working order. Replace worn or damaged parts. Periodic checking of the motor and brakes.
- Use caution when servicing blades. Wrap the blade(s) or wear gloves. Replace damaged blades. Do not repair or alter blade(s).
- Always stop the motor and remove or disconnect the battery pack before servicing, cleaning, or removing material from the ride-on mower.
- After striking a foreign object, stop the motor, remove the battery pack, allow the blade to stop rotating, and thoroughly inspect the ride-on mower for any damage. Repair the damage before operating the ride-on mower.
- Have your ride-on lawn mower serviced by a qualified repair person using only identical replacement parts. This will ensure that the safety of the ride-on lawn mower is maintained.
- Follow instructions for changing accessories.
- Keep the ride-on mower free from accumulation of grease, dirt, and other possibly combustible materials.

- Keep all nuts, bolts, and screws tight to be sure the ride-on mower is in safe working condition.
- Never remove or tamper with safety devices. Regularly check their proper operation. Never do anything to interfere with the intended function of a safety device or to reduce the protection provided by the safety device.
- Maintain or replace safety and instruction labels, as necessary.
- Recharge only with the charger specified by the manufacturer. A charger that is suitable for one type of battery pack may create a risk of fire when used with another battery pack.
- Do not charge ride-on mower in rain, or in wet locations.
- Do not use battery-operated ride-on mower in rain.
- Do not wash the ride-on mower with a hose; avoid getting water in the motor and electrical connections.
- Store idle ride-on mower indoors – When not in use, ride-on mower should be stored in an indoor dry and locked-up place – out of reach of children.
- Turn off and remove key before servicing, cleaning, or removing material from the ride-on mower.

SAVE THESE INSTRUCTIONS. Refer to them frequently and use them to instruct others who may use this product. If you lend this product to someone else, also lend these instructions to them to prevent misuse of the product and possibly injury.

INTRODUCTION

Congratulations on your selection of a new generation of EGO 56V Lithium-Ion Electric Zero Turn Mower. It has been designed, engineered and manufactured to give you the best possible dependability and performance.

Should you experience any problem you cannot easily remedy, please contact EGO customer service center 1-800-346-9876 (800-EGO-ZTRM).

This manual contains important information on to the safe assembly, operation and maintenance of your electric zero turn mower. Read it carefully before using the product. Keep this manual handy so you can refer to it at any time.

SERIAL NUMBER _____ DATE OF PURCHASE _____

THE MODEL AND SERIAL NUMBERS WILL BE FOUND ON A LABEL ATTACHED ON THE SIDE OF THE FOOT-REST AREA. YOU SHOULD RECORD BOTH SERIAL NUMBER AND DATE OF PURCHASE AND KEEP IN A SAFE PLACE FOR FUTURE REFERENCE. SAVE YOUR SALES RECEIPT.

SPECIFICATIONS

Voltage	56 V	
Deck Size	42 in (1067 mm)	
Wheel Size	Front	11 x 4 - 5 in (279.4 x 101.6 - 127 mm)
	Rear	18 x 8.5 - 8 in (457.2 x 215.9 - 203.2 mm)
Cold Tire Pressure	Front	32 PSI (222.1 kPa)
	Rear	7 PSI (48.3 kPa)
Turning Radius	0	
Blade Speed (RPM)	2400, 2600, 2800, 3000, (3200 in Turbo mode)	
Max. Driving Speed	Forward	3 MPH, 5 MPH, 6 MPH, 7 MPH (8 MPH in Travel Model) 4.8 km/h, 8.1 km/h, 9.7 km/h, 11.3 km/h (12.8 km/h in Travel Model)
	Reverse	up to 3.5 MPH (5.6 km/h)
Charging	Charger (Optional)	CHV1600/CHV1600-FC
	Adaptor (Optional)	CHA1000/CHA1000-FC
	Charging Temperature Range	41°F–104°F (5°C–40°C)
Cutting-Height Adjustment (10 position)	1.5 – 4.5 in (38.1 – 114.3 mm)	
Max. Towing Weight	250 lb (113 kg)	
Operating Temperature	32°F–104°F(0°C–40°C)	
Storage Temperature	-4°F–158°F(-20°C–70°C)	
Weight (Without battery pack)	408 lbs (185 kg)	

RECOMMENDED ACCESSORIES FOR THE ELECTRIC ZERO TURN MOWER

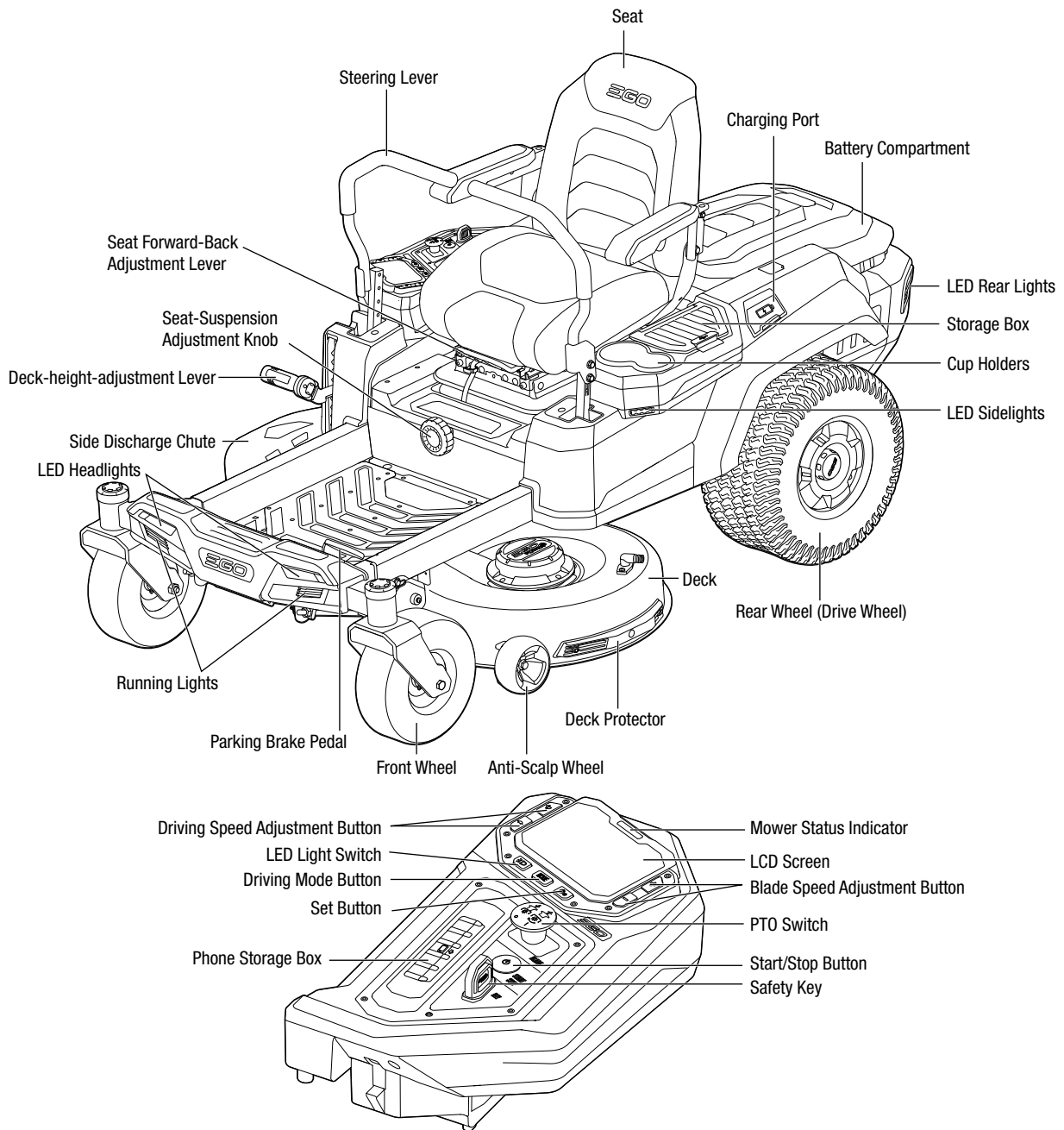
⚠ WARNING: Use only identical replacement parts listed below. Use of parts that do not meet the original equipment specifications may lead to improper performance and compromised safety.

PART NAME	MODEL NUMBER
Blade	AB4200D
Mulching Plug	AMP4200

DESCRIPTION

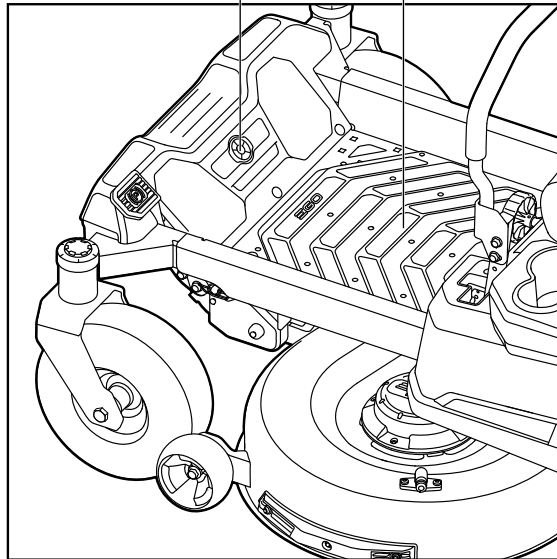
KNOW YOUR ELECTRIC ZERO TURN MOWER (Fig. 1 & 2)

1



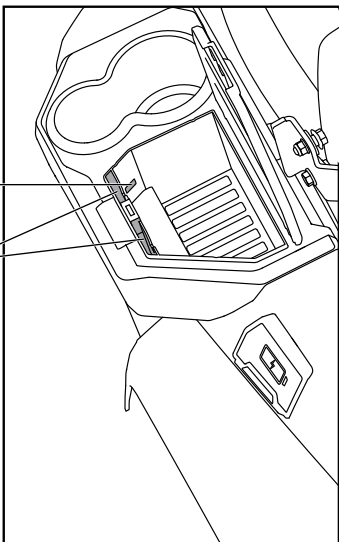
2

LED Fuel-gauge & Status Indicator Foot-Rest Area



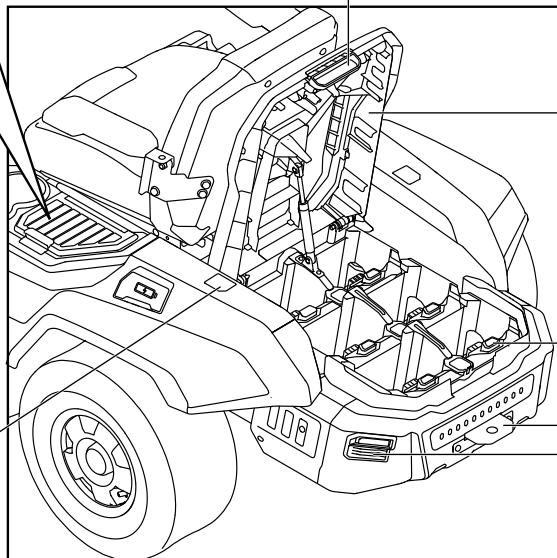
USB Port

Attachment Mounting Cover Storage



Attachment Mounting Cover

Power Unit Cover Release Button



Power Unit Cover

Battery-Release Button

Hitch

LED Rear Lights

⚠ WARNING: The safe use of this product requires an understanding of the information on the product and in this operator's manual, as well as knowledge of the project you are attempting. Before using this product, familiarize yourself with all operating features and safety rules.

Safety Key

The safety key must be inserted before the start/stop button is pressed to start the mower.

Start/Stop Button

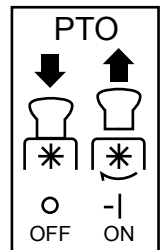
After the safety key is inserted, press the start/stop button for 3 seconds to start the mower.

- The LCD screen will display **"Fuel Gauge"** when pressed briefly.
- The LCD screen will turn off after the start/stop button has been pressed for 3 seconds.

PTO Switch

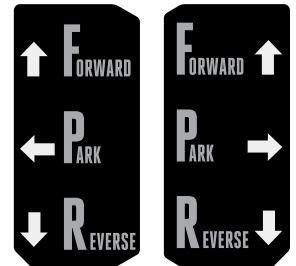
Engages the blades.

NOTICE: It is not recommended to engage the deck motors when the deck is under heavy load. Raise the deck and reengage the deck motors.



Steering Lever

The left and right steering levers control the mower's speed direction, stopping (neutral position), and electric-park brake (open position).



Parking-Brake Pedal

Locks the mower in the braking position.

Seat Forward-Back Adjustment Lever

Use the seat forward-back adjustment lever to move the high-cushion seat back and forth to the desired position.

Seat-Suspension Adjustment Knob

Use the seat-suspension adjustment knob to adjust the comfort depending on the operator's weight and the bumpiness of the yard.

Deck-Height-Adjustment Lever

The deck-height-adjustment lever raises and lowers the cutting deck.

Anti-Scalp Wheel

Prevents the deck from contacting the ground and scalping the lawn when passing over a high spot.

Side-Discharge Chute

It allows the blade to discharge the grass clippings from the side discharge opening. The side-discharge chute is installed when the mower is shipped.

Hitch

For towing carts or other wheeled attachments. Refer to Towing chapter earlier in this manual.

LED Headlights/Sidelights/Rear Lights

Provides light for mowing in low light conditions and to allow the mower to be seen.

LED Light Switch

Controls the headlights/sidelights/rear lights.

Storage Boxes

- The left-side storage box includes one USB port and two slots for the attachment-mounting covers when attachments are mounted on the mower.
- The right-side phone storage box is designed for convenient storage of a mobile phone.

Attachment Mounting Covers

Protect the attachment-mounting sites when they are not in use.

Charging Port

When used with CHV1600/CHV1600-FC charger (available separately), allows the direct charging of the batteries mounted in the battery compartment.

USB Port

The USB port provides charging power of 5 Voltage DC at up a combined draw of 1.5 Amperes for your cell phone, MP3 player, or other USB devices. Consult the owner's manual for your device for specific charging requirements.

NOTICE:

- Attempting to charge devices whose combined draws exceed 1.5 amps could damage the USB port and/or the mower. Always close the storage box cover when not in use to prevent debris from becoming trapped in the USB port.
- The USB port is powered only when the mower is not in charging mode.

Driving-Mode Button



Select among **CONTROL**, **STANDARD**, and **SPORT** driving modes by sequentially pressing the driving-mode button. The default is **STANDARD**.

- **CONTROL:** Lower acceleration, less sensitive handling, and mild turning speed to protect the grass and for new users.
- **STANDARD:** Perfect for everyday use.
- **SPORT:** Higher acceleration, accurate handling, and sharp turning to maximize mowing efficiency and for mowing enthusiasts.

⚠ WARNING: The operator should be familiar and experienced with zero turn mower handling and operations before using the sport mode.

Driving-Speed Adjustment Button

Allows the operator to select a comfortable driving speed.

- Press “” to increase the top driving speed of the mower or press “” to reduce the top driving speed of the mower.

- Press and hold “” for 3 seconds and the mower will switch into “**TRAVEL**” mode, the highest driving speed insert for travelling and towing. The mower’s blades will stop cutting.
- When in “**TRAVEL**” mode, press “”, to resume the previous speed.

NOTICE: The driving speed and driving mode cannot be adjusted during driving. The function will activate only when the mower wheels are stopped and the steering levers are open.

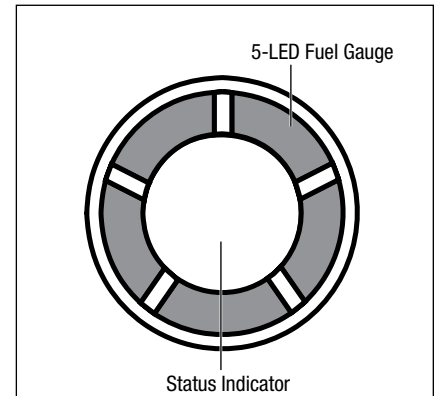
Blade-Speed Adjustment Button

Allows the user to customize the blade speed, depending on grass conditions. The user can adjust the blade speed during grass cutting. Mowing time will be increased when mowing at lower blade speeds.

- Press “+” to accelerate the blade speed and press “-” to decrease the blade speed.
- Press and hold “+” for 3 seconds and the mower will switch into “**TURBO**” mode, the highest blade speed, to tackle any grass condition.
- When in “**TURBO**” mode, press “-”, and the blade speed will resume the previous speed.

Know the LED Fuel-gauge & Status Indicator/Mower Status Indicator

- The LED fuel-gauge & Status indicator is located on the front of the foot-rest. The LED fuel-gauge circle indicates the battery-charge level. The center area indicates the mower status.
- The mower status indicator over the LCD screen will display the same status as the LED fuel-gauge & status indicator center area.
- If the status indicator shows green, the mower is ready for driving. If the status indicator flashes red during driving, the mower is overloaded or overheated, or otherwise in an undesirable condition.
- If the status indicator is off, the mower is not ready for operator to drive. Please see the section “**STARTING THE ELECTRIC ZERO TURN MOWER**” in this manual to start the mower correctly.
- When the available battery charge is too low, the mower will go into Limp-Home mode. The beep indicator will sound, the status indicator will flash red every second, the first LED fuel-gauge will flash red and both the Low-power Indicator and the battery graphics on the fuel gauge will flash. Stop working and go to the battery charging area as soon as possible.



NOTICE: When the mower is in Limp-Home mode, the blades are automatically switched into low rotation speed without grass cutting and the beep indicator will continue to sound. The operator should push the PTO switch downward to disengage the blades. The beep indicator will stop sounding when the blade stops.

- When the battery is nearly depleted, only the first LED fuel-gauge will flash red every 0.5 seconds and the low-power Indicator on the LCD screen will flash.

Limp-Home Mode

When the available battery charge is very low, the mower will go into Limp-Home mode. The maximum distance the mower can travel is 0.6 mile. The operator should stop working and go to the battery charging area as soon as possible.

NOTICE: If manual pushing is needed, be sure that the batteries are disconnected from the mower and the parking-brake pedal is released from the braking position.

Safety Start Interlock System

The mower is equipped with a safety start interlock system consisting of the safety key, start/stop button, the parking-brake-pedal switch, seat switch, and charging-port switch.

The safety start interlock system is designed to protect the operator and others from accidental injury due to unintentional mower starting.

⚠ WARNING: Check the mower safety start interlock system prior to operation. This system is an important mower safety feature. It should be repaired immediately if it malfunctions: call EGO customer service center immediately.

⚠ WARNING: The safety start interlock system must not be disconnected or bypassed. Doing so could cause the mower to operate unexpectedly, resulting in personal injury.

Indicator Sound (Beeps)

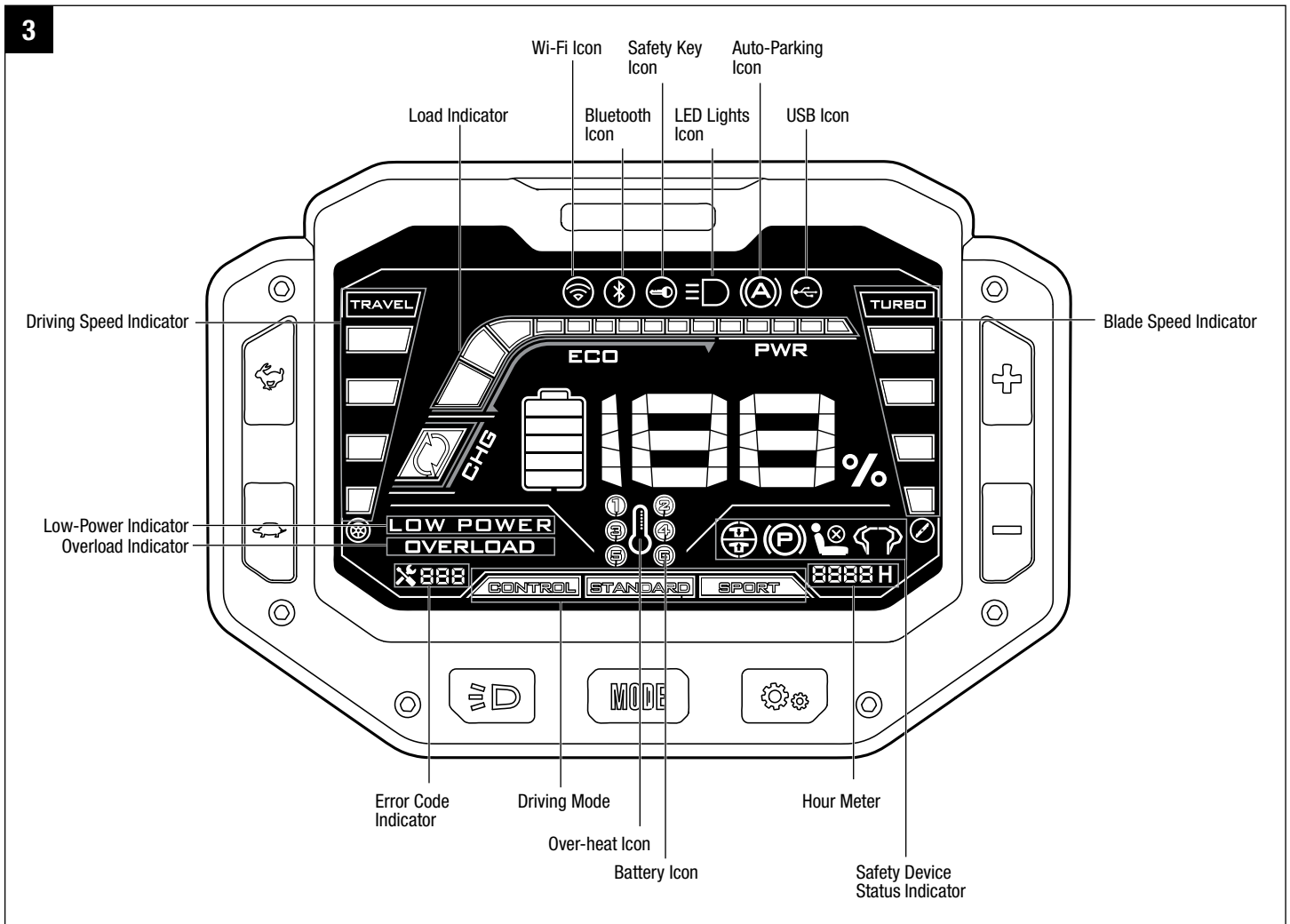
The EGO electric zero turn mower is equipped with an indicator that will beep. It will sound when:

- The mower starts normally and the LED screen is illuminated with all icons and indicators. The beeping indicator will sound once.
- The mower is turned off normally. The beep will sound once.
- When the available battery charge is too low, the mower will go into Limp-Home mode, the beep will continue to sound. When the PTO switch is pushed downward, the beeps will cease to sound.
- When the mower is overloaded or overheated, the beep will sound once.
- When the fault code is displayed on the LCD screen, the beep will sound once.
- If the mower stops driving on a slope and the operator opens the steering levers and is off the seat without setting the park-brake pedal at the braking position, the beeps will sound continuously to remind the operator to set the park brake for safety.

Set Button

To calibrate the mower tracking system (see section “**CALIBRATE THE MOWER TRACKING SYSTEM**” in this manual), and reset the mower to initial factory setting (see section “**RESETTING THE MOWER TO INITIAL FACTORY SETTING**” in this manual).

KNOW THE ICONS AND INDICATORS ON THE LCD SCREEN (Fig. 3)



Wi-Fi Icon

Illuminates when the mower is connected to a Wi-Fi Network.

Bluetooth Icon

Illuminates when the mower is connected to cell phone via Bluetooth.

Safety Key Icon

When the safety key is correctly inserted before operating the mower, the safety key icon will illuminate, otherwise this icon will keep flashing as a warning to instruct the operator to insert the safety key.

LED Lights Icon

Illuminates when the LED headlights/sidelights/rear lights have been turned on.

Auto-Parking Icon

When the mower stops driving on a slope if the operator has opened the steering levers and is off the seat without setting the park-brake pedal at the braking position, the mower will automatically park on the slope using the battery power. The auto-parking icon will flash, meanwhile the beeping indicator will sound continuously.

Set the park-brake pedal in the braking position. The auto-parking icon will be off and the beeping indicator will no longer sound.

⚠ WARNING: When the battery power is depleted, the mower can slide down the slope, which may cause serious mower damage or personal injury!

USB Icon

Illuminates to indicate that a USB device can work after the mower is started correctly.

Load Indicator

Indicates the current load of the mower. When the load is in the ECO range, the mower is under normal load. When the load is in the PWR range, the mower is under heavy load. When in the CHG range, the mower is in the energy-recycle mode, such as braking or driving downhill.

Fuel Gauge

Indicates the average charge capacity of the inserted batteries.

Low-Power Indicator

- When the available battery charge is too low, the mower will go into Limp-Home mode. The low-power indicator will flash every second. The operator should stop working and go to the battery charging area as soon as possible.
- When the battery is nearly depleted, the low-power indicator will flash in every half a second.

Fault Code Indicator

The on-board computer system will take action to protect the operator and the machine when it detects an issue. When it acts to turn off the machine or a component, it will indicate that a fault has occurred, and that fault code will be shown on the LCD screen. Please see “**FAULT CODE & STATUS INDICATOR REFERENCE**” section in this manual for reference.

Overload Indicator

When the mower is overloaded, the overload indicator will flash every second. Meanwhile, both the LED fuel-gauge & status indicator on the front of the foot-area and the mower status indicator on the LCD screen and will flash RED every second. The beeping indicator will sound once.

It is recommended that the operator should raise the deck cutting height to reduce the load of the mower when the overload indicator flashes.

Over-heat Icon

- When the battery is overheated, the over-heat icon will flash every second and the battery icon representing the overheated battery will blink.
- When the mower is overheated, the over-heat icon will flash every second. The LED fuel-gauge & status indicator on the front of the foot-area and the mower status indicator on the LCD screen will flash RED every second. The beeping indicator will sound once.

It is recommended that the operator should reduce the load of the mower by raising the deck cutting height or slowing the blade/driving speed. Allow the battery pack or the mower to cool.

Battery Icon

- Illuminates when the battery is inserted into the corresponding battery compartment.
- When the combined Ah of the inserted batteries is less than 15Ah, the battery icon of all the vacant battery compartments will flash as a reminder to instruct the operator to insert more batteries into the battery compartment.

In order to start this mower, EGO batteries totaling 15Ah (2 X BA4200/BA4200T) or more are required. For best performance, we recommend use of EGO batteries that total 30Ah or more.


- When the available battery charge is too low, the mower will go into Limp-Home mode. The battery graphics on the fuel gauge and the battery icons corresponding to all of the correctly inserted batteries on the LCD screen will flash as a reminder to instruct the operator to the return to charging area as soon as possible. When the mower is in Limp-Home Mode, the blades are automatically switched into low rotation speed without grass cutting.
- When the battery is nearly depleted, the battery icons of all the correctly inserted batteries will flash.


Hour Meter


- Shows the total driving time of the mower, in hours. Use the hour meter to determine when the mower has reached the recommended service intervals.
- Hour meter cannot be reset.

Safety-Device Status Indicator

“” flashes to instruct the operator to reset the PTO switch.

“” illuminates when the parking brake is set.

“” illuminates when the operator is off of the seat.

“” flashes to instruct the operator to reset the steering levers to open position and/or release the parking brake.

ASSEMBLY

⚠ WARNING: To prevent accidental starting that could cause serious personal injury, always remove the battery pack(s) from the product when assembling parts, cleaning, or performing maintenance.

⚠ WARNING: If any parts are damaged or missing, do not operate this product until the parts are replaced. Use of this product with damaged or missing parts could result in serious personal injury.

⚠ WARNING: Do not attempt to modify this mower or create accessories not recommended for use with this product. Any such alteration or modification is misuse and could result in a hazardous condition leading to serious injury.

UNPACKING

⚠ WARNING: To reduce the risk of injury or mower damage, do not use a knife to cut the nylon straps. Use scissors or side cutters.

⚠ WARNING: To reduce the risk of damage, remove watches or other fragile and valuable items from your wrists. There's a risk of accidental contact with steel frame elements.

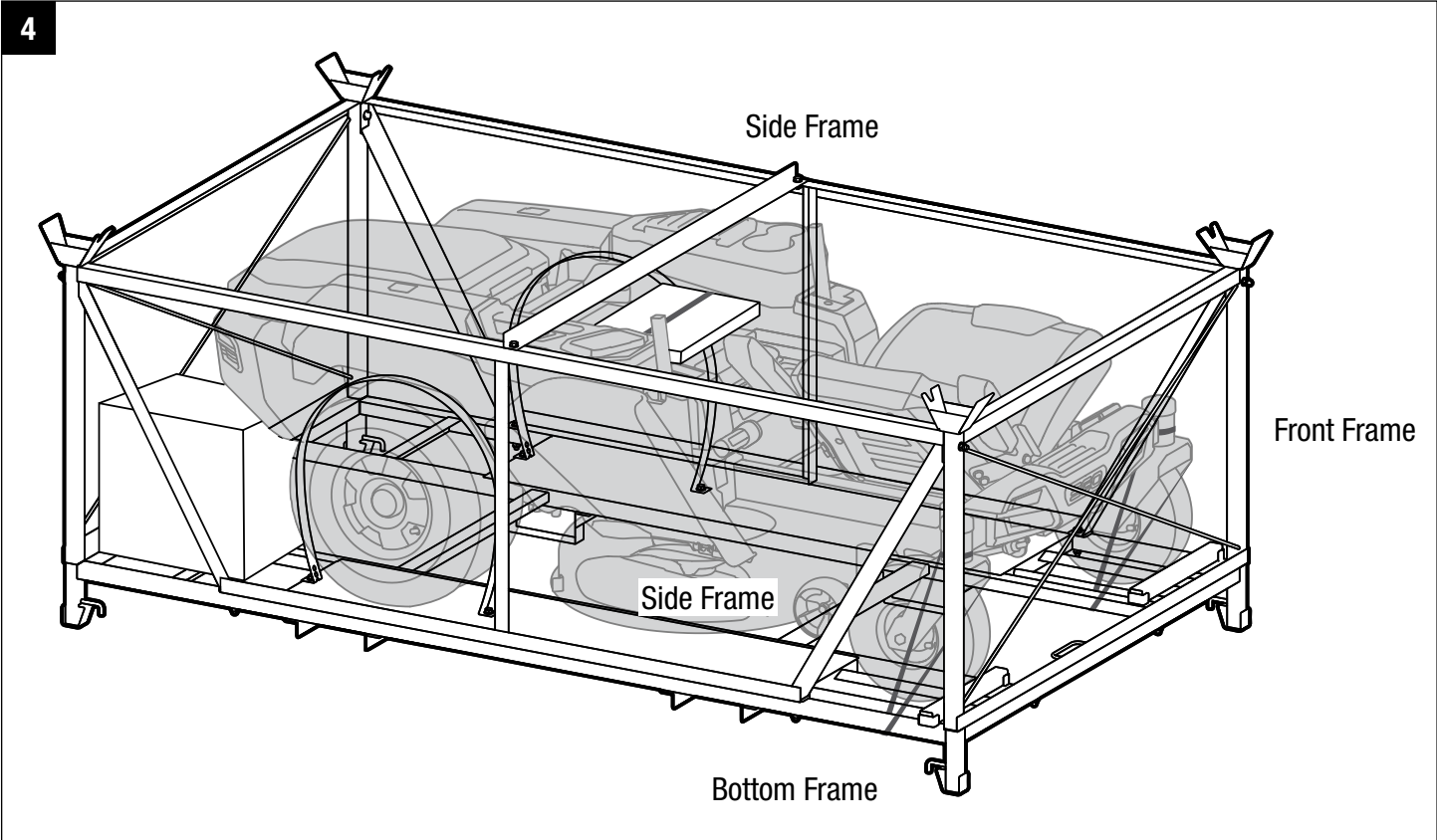
Recommended tools for unpacking (not included):

- Scissors or side cutters.
- Impact wrench with 1/2 in (13 mm) socket.

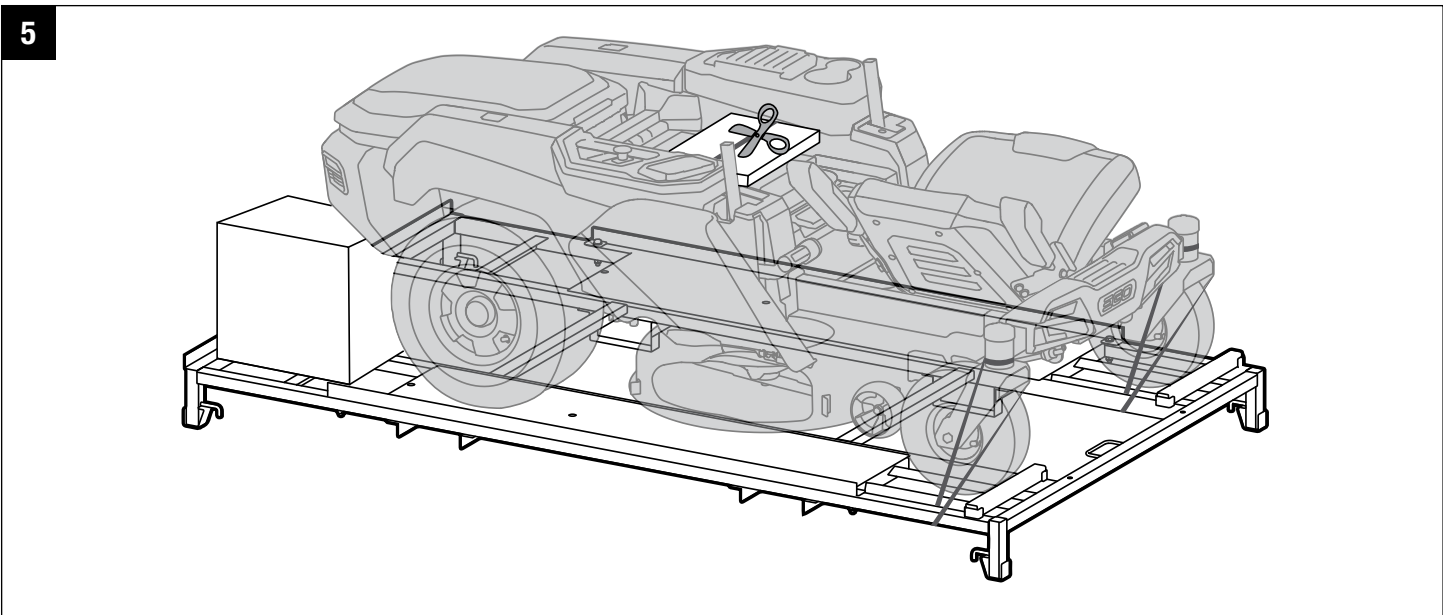
The EGO electric zero turn mower is shipped in a steel frame, with seat and steering levers separately packed in the steel frame. The operator should remove the mower from the steel frame first and then mount the seat and steering levers onto the mower as follows:

1. Remove the plastic cover from the mower.
2. Cut the nylon straps and remove the accessory box located in the center seat area of the mower and remove the two open-end wrenches inside.
3. Use the two supplied open-end wrenches to loosen all the bolts that secure the top frame, side frames, front frame, back frame, and the two mower rear wheels from the bottom frame (Fig. 4). Remove and save the disassembled frames in a safe area, avoiding tripping hazard. Consult your local waste authority for information regarding available recycling and/or steel-disposal options on the frames.

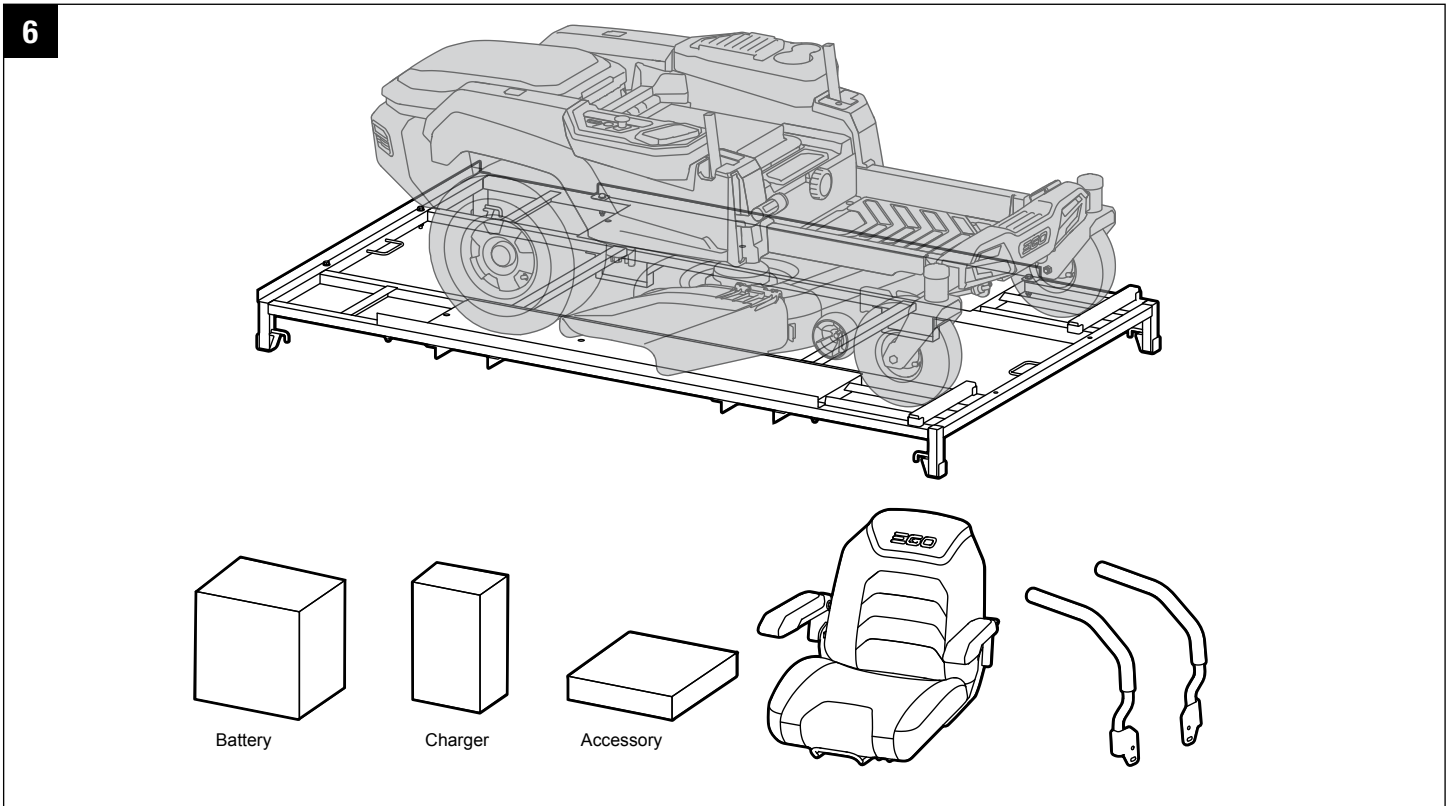
NOTE: to simplify and speed up the process use an impact wrench with a 1/2 in (13 mm) socket.



4. Cut the nylon straps securing the battery/charger boxes, seat, steering levers, mower front wheels, and side-discharge chute (Fig. 5).



5. Remove the seat assembly and the two steering levers from the mower first, and then remove the battery/charger boxes from the bottom frame if they are included with the mower (Fig. 6).

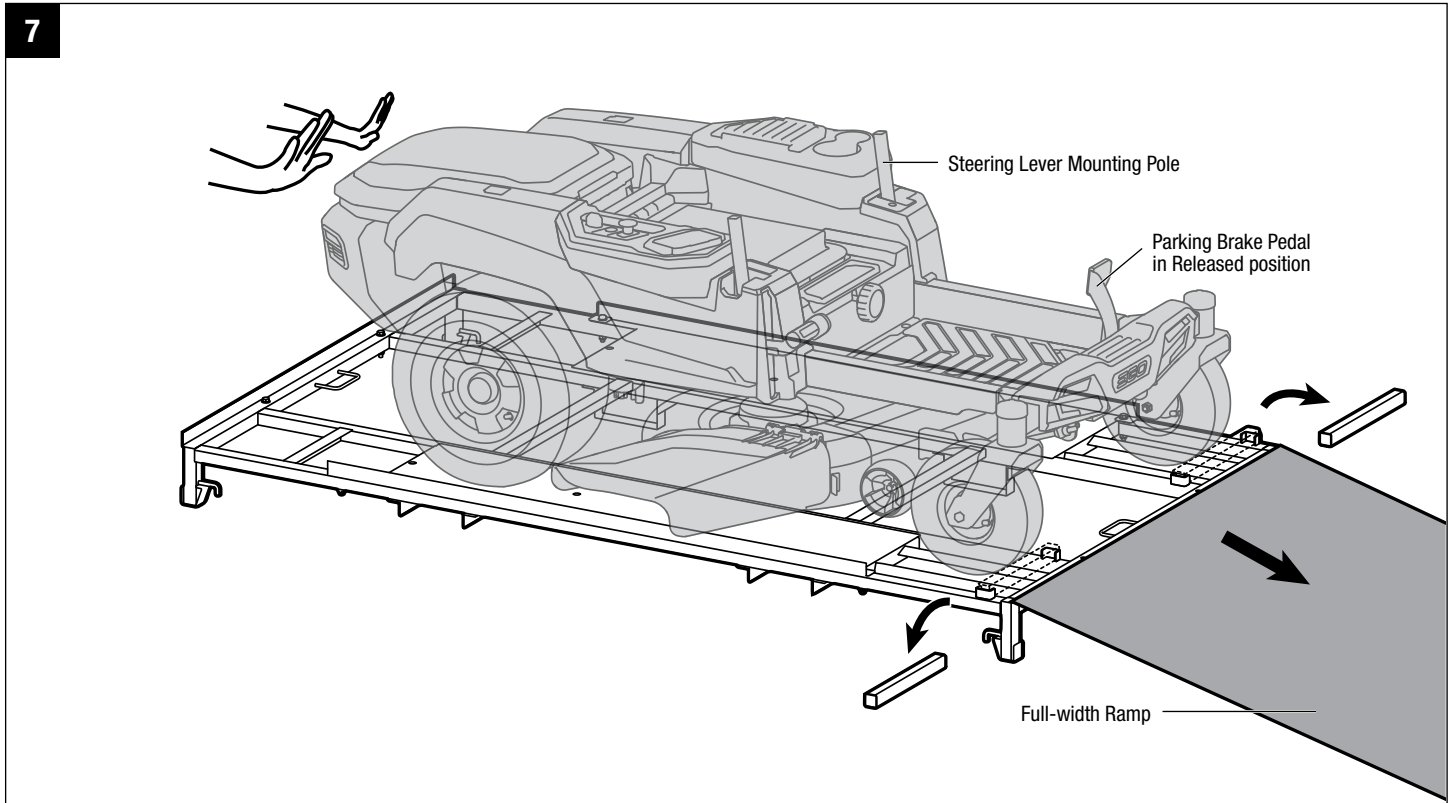


6. Remove and set aside all accessible packaging and wrap. Do not discard the packing material until you have carefully inspected and satisfactorily operated the product.
7. If a ramp is available, position a full-width ramp against the bottom frame, close to the front wheel (Fig.7). Do not exceed the maximum recommend operating angle of 15°.
8. Release the parking-brake pedal from the braking position. Refer to section “**PARKING BRAKE SETTING**” in this manual.

NOTE: A significant effort is required to release the parking-break pedal by hand. Push hard.

9. Two persons are recommended: grasp the steering-lever mounting pole and the rear part of the mower simultaneously on both sides and slowly push the mower out of the steel frame in the forward direction (Fig.7).

⚠ CAUTION: Heavy object. Team push required. At least two persons are required to push this mower out of the steel frame.



NOTICE: PUSH THE MOWER FORWARD. Pulling the mower backward from the steel frame will cause the mower to catch in the bottom frame and may damage the mower's cutting deck. **Always remove the mower from the frame in the forward direction.**

⚠ WARNING: Do not use this product if any parts on the packing list are already assembled to your product when you unpack it. Parts on this list are not assembled to the product by the manufacturer and require customer installation. Use of a product that may have been improperly assembled could result in serious personal injury.

- Inspect the product carefully to make sure that no breakage or damage occurred during shipping.
- If any parts are damaged or missing, please contact EGO after sale service.

PACKING LIST

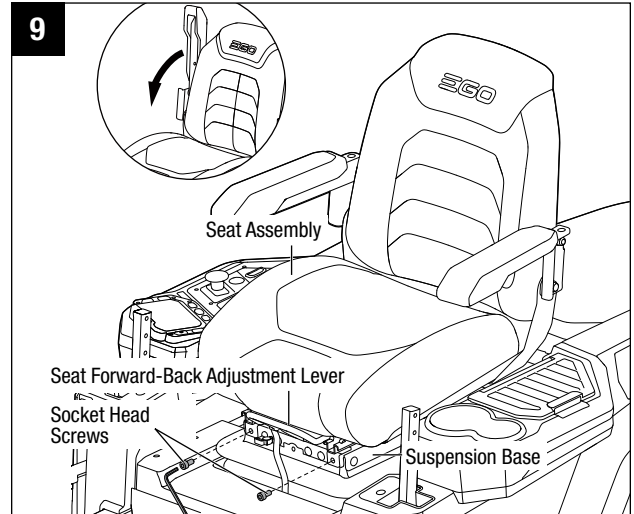
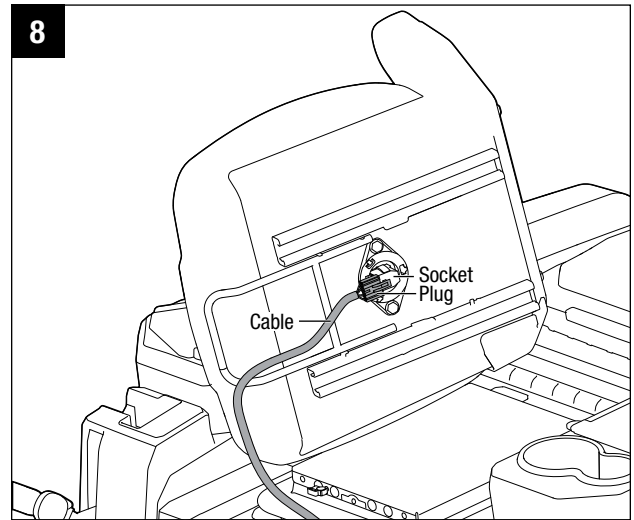
PART NAME		FIGURE	QUANTITY
Electric Zero Turn Mower			1
Seat Assembly	Seat		1
	Socket-Head Screws		4+2 (backup)
	Allen Key (6mm)		1
Steering Levers Assembly	Steering Lever		2
	Hex Bolts		4+2 (backup)
	Open-end Wrench (13mm)		2
Safety Key			2
Wash-port Quick Coupler			1
Operator's Manual			1

TO INSTALL THE SEAT

The mower incorporates a separate seat switch that will stop the drive motors and deck motors when the operator is unseated for any reason while the mower is operating. This is a safety feature designed to prevent runaway or accidental entanglement.

⚠ WARNING: The safety interlock system must not be disconnected or bypassed. Doing so could cause the mower to operate unexpectedly, resulting in personal injury.

1. Remove the four socket-head screws from the accessory box and set them aside.
2. Lay the seat assembly on its side and insert the cable plug into the socket on the bottom of the seat (Fig. 8). This connects the safety interlock system.
3. Rotate the two arm rests to the horizontal positions. Place the seat closely against the front of the suspension base. Align the two mounting holes in the seat with the holes in suspension base, and use the the supplied Allen key to lock them together with the two supplied socket-head screws (Fig. 9).



- Lift the seat forward-back adjustment lever slightly and pull the seat forward to expose the two backside mounting holes in the steel rails of the seat assembly. Use the supplied Allen key to thoroughly tighten the steel rails onto the suspension base with the remaining two socket head screws (Fig. 10).

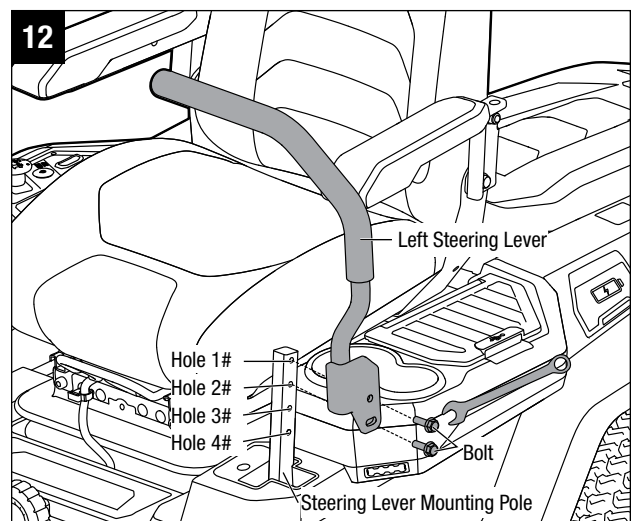
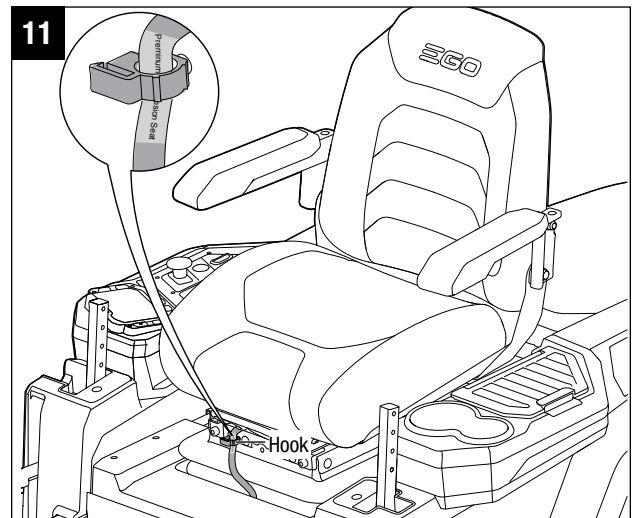
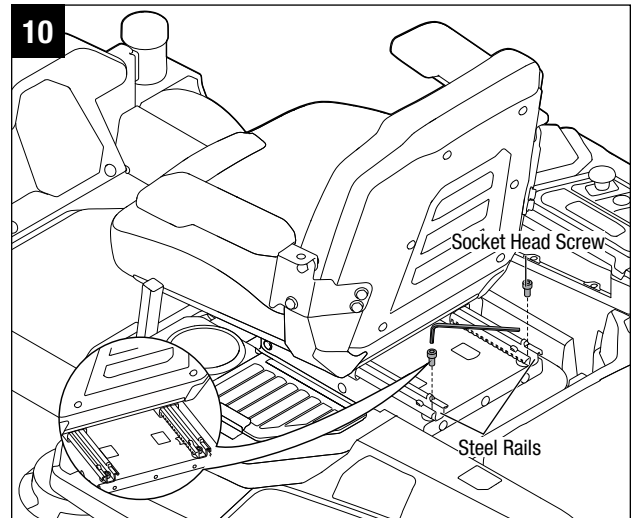
⚠ WARNING: When finishing tightening the two backside screws, please check that there is no gap between the front part of the steel rails and the suspension base.

- Place the flexible cable into the hook as the indicated position label on the cable shown (Fig. 11).

TO INSTALL THE STEERING LEVERS

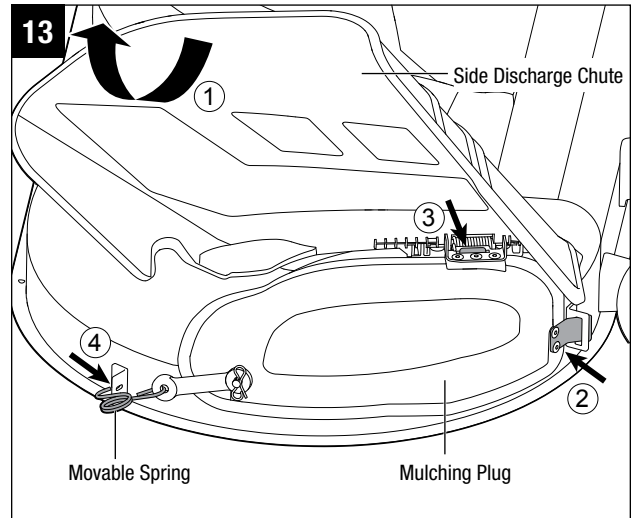
- Remove the four hex bolts from the accessory box and set them aside.
- Lift one steering lever to align the holes in the steering lever with the holes in the corresponding mounting pole. Select the preferred steering-lever operating height, and then use the supplied open-end wrench to secure the steering lever with the two supplied hex bolts as indicated below (Fig. 12).
 - Hole 1 & 2: upper fixing holes for steering lever.
 - Hole 2 & 3: middle fixing holes for steering lever.
 - Hole 3 & 4: lower fixing holes for steering lever.
- Assemble the other steering lever and tighten with the remaining two hex bolts in the same way.

NOTICE: The left and right steering levers should be adjusted so that they align with each other when in the neutral position. NEVER install the steering levers in an asymmetrical operating height.



TO ATTACH THE MULCHING PLUG (Sold separately)

1. To set up the mower for mulching, lift the side-discharge chute first, then hook the mulching plug onto the deck opening at the spots 2, 3, and 4 as shown in Fig. 13. Make sure that all the hooks are securely fastened in their places and prevent the mulching plug from moving. Leave the side-discharge chute in the open position.
2. To remove the mulching plug, separate the movable spring of the mulching plug from the hook on the deck first and then remove it from the deck opening. Lower the side-discharge chute slowly until it rests firmly against the deck.



OPERATION

⚠ WARNING: Do not allow familiarity with this product to make you careless. Remember that a careless fraction of a second is sufficient to inflict serious injury.

⚠ WARNING: Do not use any attachments or accessories not recommended by the manufacturer of this product. The use of attachments or accessories not recommended can result in serious personal injury.

APPLICATION

You may use this product for purpose listed below:

- Mowing your lawn.

FINAL PREPARATION

CHECK THE TIRE PRESSURE

Check the air pressure in all tires before use. Improper air pressure will affect handling, steering response, traction, tire life, level cutting, and operator comfort. Be sure tires are inflated to the pressure shown below.

NOTICE: Tire pressure should only be measured or adjusted when tires are cold.

Recommended Pressure	Front Wheel	Rear Wheel
	32 PSI (222.1 kPa)	7 PSI (48.3 kPa)

⚠ WARNING: Check the tire pressure carefully while inflating. Too much air in the tire could cause the tire to burst, causing serious personal injury.

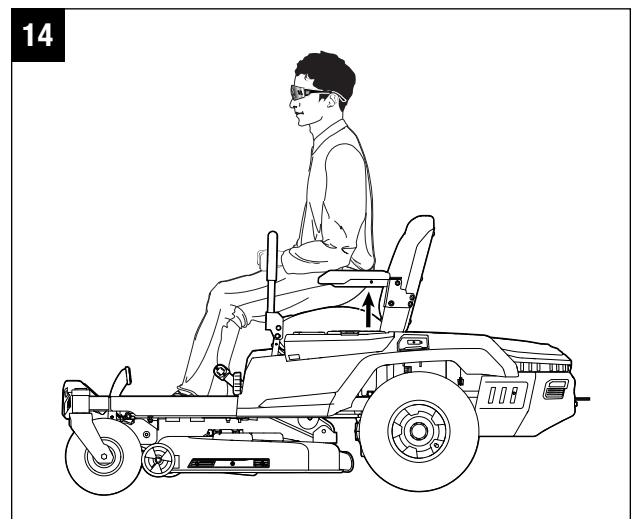
VERIFY MOWER CONDITION

Inspect the entire product for damaged, missing, or loose parts such as screws, nuts, bolts, caps, etc. Tighten securely all fasteners and caps and do not operate this product until any missing or damaged parts are replaced.

TEST THE SAFETY INTERLOCK SYSTEM (Fig. 14)

The mower incorporates a separate seat switch that will stop the drive motors and deck motors when the operator is unseated for any reason while the mower is operating. This is a safety feature designed to prevent runaway or accidental entanglement. Test the system to be sure it is working correctly.

1. Position the mower on a level surface.
2. The operator must be on the seat when testing the seat switch.
3. Release the parking brake pedal.
4. Insert the safety key into the mower and press the start/stop button for 3 seconds to illuminate the LCD screen.
5. Pull the PTO switch upward to engage the blade motors.
6. Slowly raise yourself off of the seat, but do not get off the mower. The deck blade system should stop.



7. If the deck-blade system fails to stop when the operator is off of the seat and if the cause cannot be determined after confirming the plug and socket connection of the seat is well connected, contact your EGO customer service center immediately.
8. Push the PTO switch downward to disengage the blade motors and adjust the steering levers from electric park brake position to neutral position.
9. Adjust the steering levers forward or backward to drive the mower; refer to “**DRIVING THE MOWER**” in this manual.
10. Slowly raise yourself off of the seat. The driving system should stop.
11. If the driving system fails to stop when the operator is off of the seat and if the cause cannot be determined after confirming the plug and socket connection of the seat is well connected, contact your EGO customer service center immediately.

⚠ WARNING: DO NOT operate the mower until the safety interlock system has been repaired by a qualified service technician.

MOWER ADJUSTMENT

CUTTING-DECK HEIGHT ADJUSTMENT (Fig. 15)

NOTICE: EGO electric zero turn mower’s deck is set in the highest cutting height when it is shipped. Before using the mower, the operator should adjust the deck height to the cutting position best suited for the lawn.

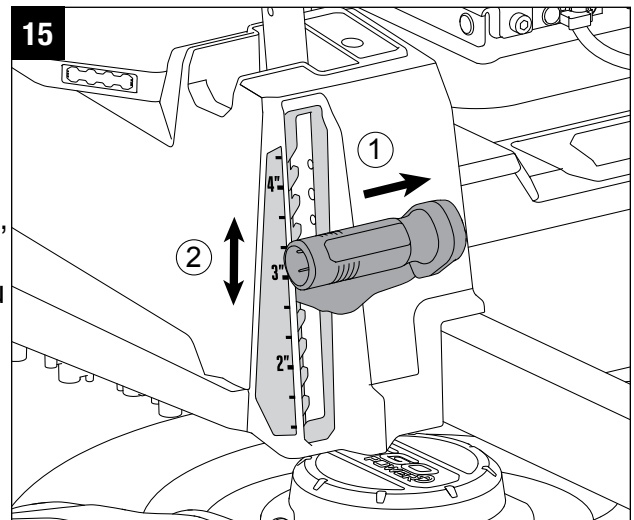
NOTICE: To prevent scalping the lawn when encountering high spots, the two anti-scalp wheels can be adjusted when the mower is at the desired cutting height. Depending on your desired cutting height, you may need to change the position of the anti-scalp wheels. please refer to “**ADJUSTING THE ANTI-SCALP WHEELS**” section in this manual.

1. Make sure that the batteries have been removed from the mower before making any adjustments.
2. To lower the cutting height, grasp the deck-height adjustment lever and move it inwards to disengage it from the slot. Move it downward and engage it into the slot when it arrives at the desired cutting height.
3. To raise the cutting height, grasp the deck-height adjustment lever and move it inwards to disengage it from the slot. Move it upward and engage it into the slot when it arrives the desired cutting height.

NOTICE: Prior to mowing, the deck should be adjusted to sufficient height to avoid stumps, rocks or other obstacles that can damage the mower deck.

⚠ DANGER: Never attempt to make any adjustments to the mower deck while the mower is driving or the cutting blade is engaged. Mower blades cannot be seen and are located very close to the deck housing. Fingers and toes can be cut off instantly.

⚠ WARNING: Hold the deck-height adjustment lever firmly when setting the deck height and only release when it is securely engaged in the desired slot. Quickly letting go of the lever may create a pinching or pulling hazard to the operator’s hand.



SEAT ADJUSTMENT (Fig. 16)

⚠ WARNING: Be sure the seat is secured to the mower with the included socket-head screws before operating the mower. A seat that is not secure can cause the operator to lose control of the mower and result in possible death or serious personal injury.

Adjust the seat position to ensure you are able to make firm contact with the parking-brake pedal before operating the mower. The seat can be adjusted forward and rearward by lifting the seat forward-back adjustment lever under the seat.

To move the seat

1. Set the parking brake.
2. Sit down on the seat; lift the seat forward-back adjustment lever and hold it, then move the seat forward or backward to the desired position.
3. Release the seat forward-back adjustment lever and ensure that the seat is locked in position.

The comfort of the seat can also be adjusted with the seat-suspension adjustment knob on the underside of the seat. Loosen or tighten the adjustment knob as indicated to achieve the most comfortable suspension.

PARKING BRAKE SETTING (Fig. 17)

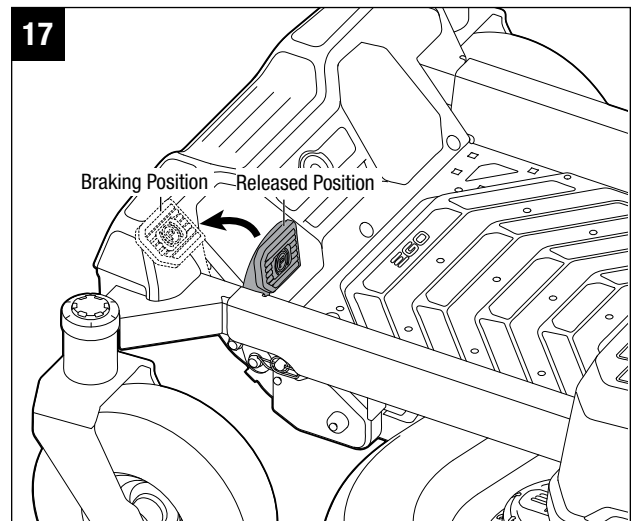
The parking-brake pedal is used to lock the mower in the braking position. To start the mower, it should be released from the braking position.

To set the parking brake:

1. Place the steering levers back in the neutral position and open them outwards to the park-brake position (open position).
2. Use your left foot to fully depress and hold the parking-brake pedal until the pedal stops rebounding.
3. Release the parking-brake pedal. Remove your foot from the parking-brake pedal.

To release the parking brake, depress the parking-brake pedal once again; the pedal will rebound to the released position.

⚠ WARNING: Never leave the mower unattended during-work breaks without verifying that the parking brake is set and the safety key is removed. Failure to set the parking brake could cause the mower to move. Leaving the safety key in place may allow unauthorized use that could result in serious personal injury.



ATTACHING/DETACHING THE BATTERY PACK

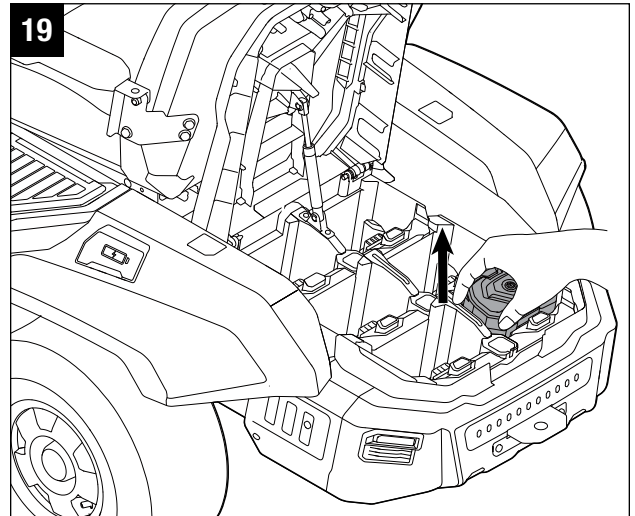
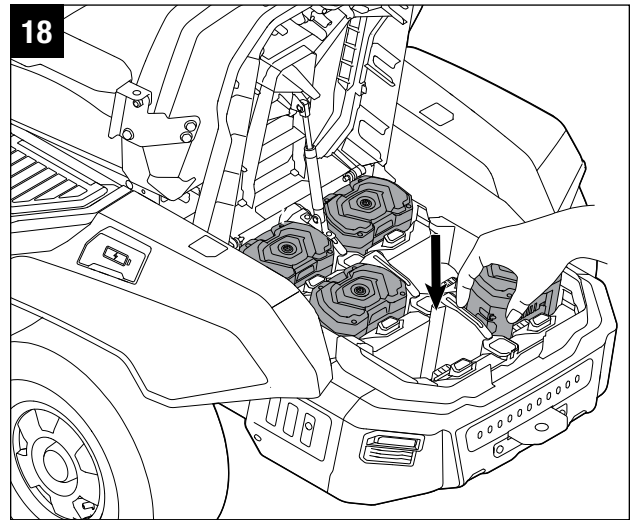
CHARGE BEFORE FIRST USE

NOTICE: In order to start this mower, EGO batteries totaling 15Ah (2 X BA4200/BA4200T) or more are required. For best performance, we recommend use of EGO batteries that total 30Ah or more.

When not in use, EGO 56V battery packs should be stored in an enclosed area where the temperature will not drop below -4°F (-20°C). Optimal charging temperatures are between 41°F (5°C) and 104°F (40°C).

⚠ WARNING: If any parts are broken or missing, do not attempt to attach the battery packs to the mower or operate the mower until the broken or missing parts are replaced. Failure to do so could result in serious injury.

1. The power-unit cover locks with the release button when it is closed. To open it, use your fingers to grasp the power-unit cover release button and press it slightly to lift the power-unit cover.
2. The power-unit cover will automatically open slowly with the help of the spring bar.
3. The EGO electric zero turn mower is equipped with six battery compartments to accommodate up to six battery packs at the same time.
4. Align the grooves in the battery pack with the raised ribs in the battery compartment, and then insert the battery pack into the compartment.
5. Push the battery pack until you hear a “click”. The battery-release button will spring up when the battery pack is securely attached.
6. Attach more battery packs into the remaining battery compartments in the same way (Fig. 18).
7. **To detach the battery pack**, depress the battery-release button to release the battery pack, and then lift it out of the compartment (Fig. 19).
8. Close the power unit cover until you hear a clear “click”, indicating that the power unit cover release button is engaged.



CHARGING THE ELECTRIC ZERO TURN MOWER

When battery charge becomes low, the mower will go into Limp-Home mode and will permit the mower to travel a maximum distance of 0.6 miles back to the battery-charging area. The blades are automatically switched into low rotation speed without grass cutting to save the battery charge.

⚠ WARNING: Do not attempt to drive across roads or railways when battery charge level is low.

There are two ways to charge the mower:

- Remove the batteries from the mower and charge the batteries separately with EGO standard charger or rapid chargers. Please follow the instructions in the Operators' Manual for the EGO standard charger or rapid chargers.
- EGO battery charger CHV1600/CHV1600-FC is available for charging the EGO electric zero turn mower directly while the batteries are installed in the mower.

NOTICE: There are individual manuals for EGO batteries and chargers. Save the instructions - The manuals contain important safety and operating instructions for the battery and charger.

DO NOT attempt to charge the batteries or the mower with a charger not designed for use with this product.

Charging the Batteries via Charging Port

The battery charging port is located on the left housing of the mower, next to the storage box (Fig. 20). To charge the battery,

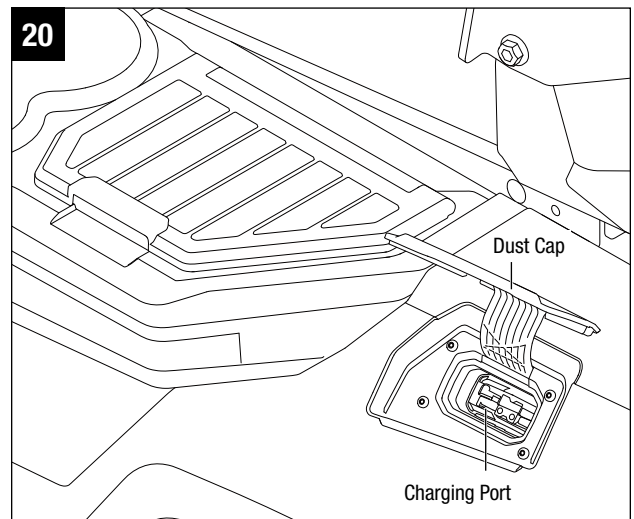
- Stop the mower and remove the safety key; make sure that the mower comes to a complete stop.
- Lift the dust cap from the battery charging port on the mower and connect the CHV1600/CHV1600-FC charger plug into the port (Fig. 21).

NOTICE: Plug will only fit one way into the port. Make sure it is properly aligned before inserting.

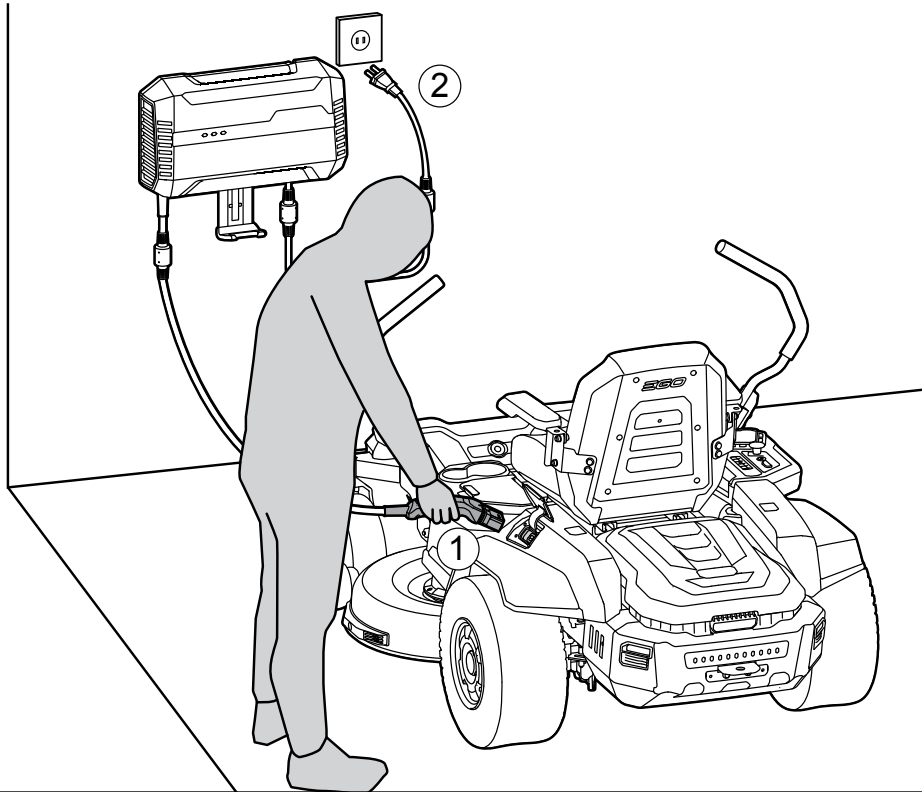
- Plug the other end of the charger into a 120V household outlet (Fig. 21).
- The charger will start to charge the batteries. After the batteries are full charged, as indicated on the LCD screen, disconnect the charger plug from the wall outlet and remove the charger plug from the port.
- Cover the charger port with the dust cap and begin operating the mower. Please refer to the charger manual for detailed instructions. Read and understand all its safety warning and instructions. Failure to follow them may result in electric shock, fire, and/or serious injury.

⚠ WARNING: Do not smoke while charging the mower with the batteries installed.

⚠ WARNING: The mower should be charged under a covered area out of the rain or indoors.



21



NOTICE:

- EGO Lithium-ion batteries do not develop a memory and need not be fully discharged before recharging.
- Every six months of storage, fully charge the Lithium-Ion battery pack for longest possible battery life.
- When charging, be sure that the charger cooling fan inlet and outlet are not blocked.

BEFORE STARTING THE MOWER

- Ensure that the work area is clear of children, bystanders, and pets.
- Clear the work area of objects that may be thrown by the mower blades.
- Clean debris from mower.
- Check for loose fasteners.
- Check to make sure that all guards are in place and working properly.
- Check the tire pressure.
- Check the brake operation.
- Test the safety interlock system.
- Adjust the deck height to the desired cutting position best suited for the lawn.
- Adjust the seat to desired position.
- Verify the battery charge level.

STARTING THE ELECTRIC ZERO TURN MOWER

Operating a zero turn mower is different from operating a standard riding mower. Zero turn mowers are rear-wheel drive and the wheels operate independently as directed by the position of the steering levers. Before you begin to mow your grass, we strongly encourage you to find a large, level, and open area to practice operating the mower using the instructions that follow. Once you can comfortably and reliably perform each of these maneuvers, you are ready to begin mowing.

⚠ WARNING: Clear the area of bystanders before operating the mower. If anyone enters the mowing area, stop immediately and do not continue mowing until the bystanders leave the area.

⚠ WARNING: Avoid sudden starts, stops, and turns, as well as excessive speed, especially when first learning to operate the mower. The mower can spin rapidly, which may cause you to lose control and could result in death, serious personal injury and/or damage to the mower. Press the driving-speed adjustment button to the lowest speed (refer to **Driving Speed Adjustment Button** in this manual) to limit the amount of speed available until you are fully capable of operating the mower in all situations.

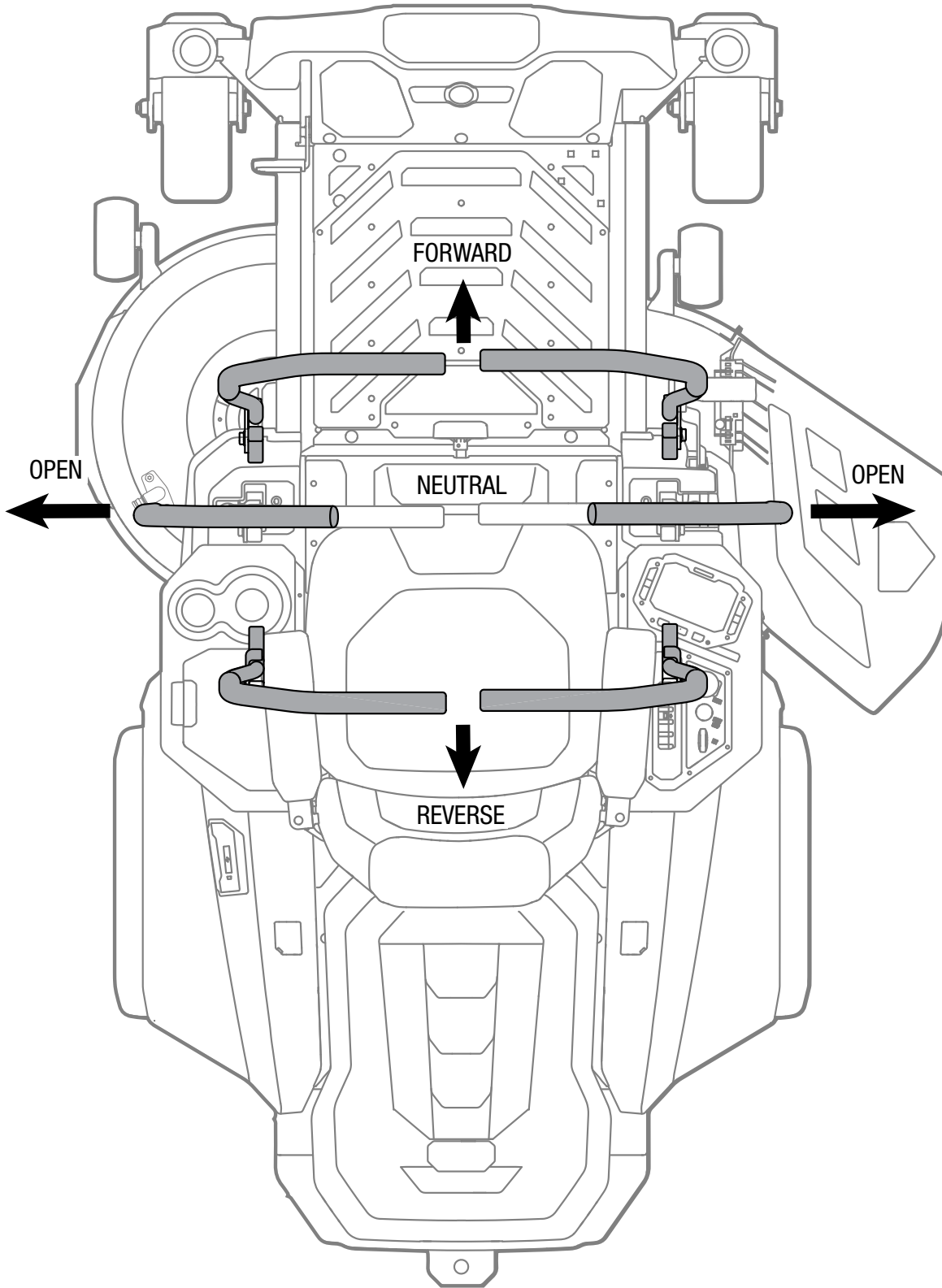
1. Insert the safety key.
2. With the safety key inserted, press the start/stop button for 3 seconds to illuminate the LCD screen.
3. Check for the appropriate driving mode by pressing the driving mode button.

NOTICE: It is always recommended to start the mower in the lowest driving speed.

4. Release the parking brake pedal from the braking position and move the two steering levers inward from the open position to the neutral position. You are ready to maneuver the steering levers to drive the mower.
5. Pull the PTO switch to start the cutting blades.
6. Push the steering levers forward for forward motion and pull back for reverse motion (Fig. 22).

NOTICE: The electric park brake will engage until the steering levers are returned to the open position. When the steering levers are back in neutral position, the mower just stops without braking electrically (Fig. 22).

NOTICE: When the mower is started on a slope, the moment the steering levers are pushed forward, the mower will keep still on the slope without sliding along the slope. Once the steering levels are pushed forward enough, the mower can be driving forward normally. It is a Slope Assist feature for safe starting of EGO electric zero turn mower.



STOPPING THE ELECTRIC ZERO TURN MOWER

⚠ DANGER: Never make sudden stops or sudden direction reverses, especially when maneuvering on a slope. The steering levers are designed for sensitive response. Rapid movement of the steering levers in either direction could result in a reaction of the mower that can cause serious injury.

1. Return the steering levers to the Neutral Position.
2. Push the PTO switch downward to disengage the deck motors/mower's cutting blades.
3. Open the steering levers outward into the stop position.
4. Set the parking-brake pedal to the braking position.
5. Press the start/stop button for more than 3 seconds to turn off the mower.

NOTICE: After more than 3 minutes without operating, the mower will automatically shut off.

6. Remove the safety key from the mower and keep it in a safe place.

⚠ WARNING: Do not stop the mower on a slope. Always stop the mower on a flat, level surface and never leave the mower unattended with the safety key inserted, even just for a brief period. Leaving the key may allow unauthorized use that could result in serious personal injury.

⚠ WARNING: When the mower stops driving on a slope and the operator is off the seat without setting the park brake pedal at the braking position, the beeping indicator will sound continuously to remind the operator to set the park brake for safe mower stopping on the slope. Always set the park brake pedal at the braking position when leaving the seat. Otherwise, **when the battery power is depleted, the mower will slide down the slope, which may cause serious mower damage or personal injury!**

DRIVING THE ELECTRIC ZERO TURN MOWER (Fig. 23)

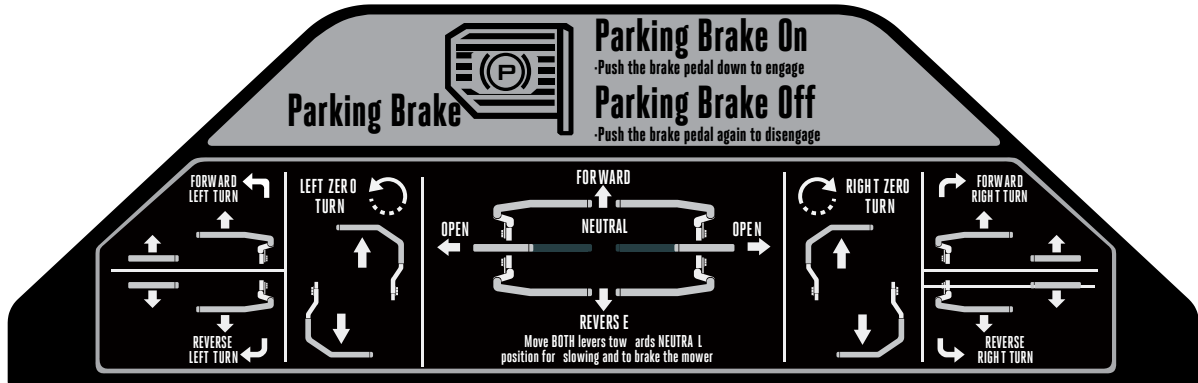
After starting the mower, engage the steering levers as follows:

- **To go forward**, push steering levers forward an equal distance.
- **To go in reverse**, pull steering levers rearward an equal distance.
- **To turn left**, move the right steering levers farther from neutral than the left steering lever.
- **To turn right**, move the left steering levers farther from neutral than the right steering lever.
- **To execute a zero-radius turn**, slow down first and then move one steering lever forward and the other steering lever back of neutral. This allows the drive (rear) wheels to counter-rotate.

NOTICE: Rapid movement of steering levers is not recommended as damage to the electric components of the mower may occur.

NOTICE: Aggressive turning can scuff or damage lawns. Perform zero turns at low driving speed. Always keep both wheels rotating when making sharp turns. **Do not make turns with inside wheel completely stopped.** For minimum turning radius, slowly reverse the inside wheel while moving the outside wheel slowly forward.

- **To stop or decrease speed**, move the steering levers to neutral. When going forward, pull back gently on the steering levers. When going in reverse, push forward gently on the steering levers.



FRONT OF MOWER FACES THIS DIRECTION

- To increase speed, increase the steering lever's distance from neutral. The farther forward the steering levers are from the neutral, the faster the mower will travel forward. The farther back the steering levers are from the neutral, the faster the mower will go in reverse.

⚠ DANGER: Stay at least two mowing widths (7ft) away from any ditches, drop-offs, or water. Front wheels can rotate when the mower is stopped, even with the brake applied, and cause the mower to go over the edge or into the water and result in death or serious personal injury.

⚠ WARNING: Be aware of what is behind the mower before backing up. DO NOT mow in reverse unless absolutely necessary. Always look down and behind before and while backing to make sure no children, bystanders, or pets enter the mowing area. Remember that a careless fraction of a second is sufficient to inflict death or serious injury.

⚠ WARNING: Be certain you have correctly set your intended direction of driving with the steering levers before depressing the parking brake pedal. Failure to do so could result in you driving the mower in an unintended direction, which could cause loss of control or an accident.

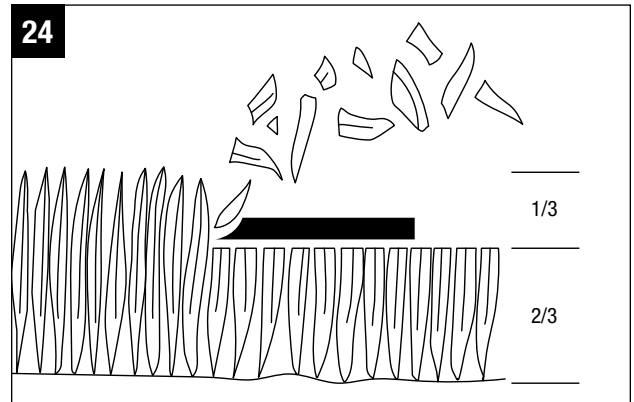
⚠ WARNING: Be cautious when crossing over gravel paths or driveways. Before crossing, disengage the blades and raise the cutting deck to the highest position to minimize the possibility of ricochet. Drive slowly to avoid loss of traction and control.

MOWING TIPS

NOTICE: A sharp blade will greatly enhance the performance of the mower, especially when cutting tall grass. Make sure to check the sharpness of the blade before mowing.

- Verify that the lawn is free of stones, sticks, wires, and other objects which could damage the mower's cutting blades or motors. Such objects could be accidentally thrown by the mower in any direction and could cause serious personal injury to the operator and to others.
- ⚠ WARNING:** If you strike a foreign object, stop the motors and remove the batteries. Thoroughly inspect the mower for any damage and repair the damage before restarting and operating the mower. Excessive vibration of the mower during operation is an indication of damage. The unit should be promptly inspected and repaired.
- The mowing result will be the best with a high cutting blade speed and low driving speed. If the grass is not too long and dense, the driving speed can be increased without negatively affecting the mowing result.
- When cutting heavy grass, reduce the driving speed to allow for a more effective cutting and a proper discharge of the clippings.

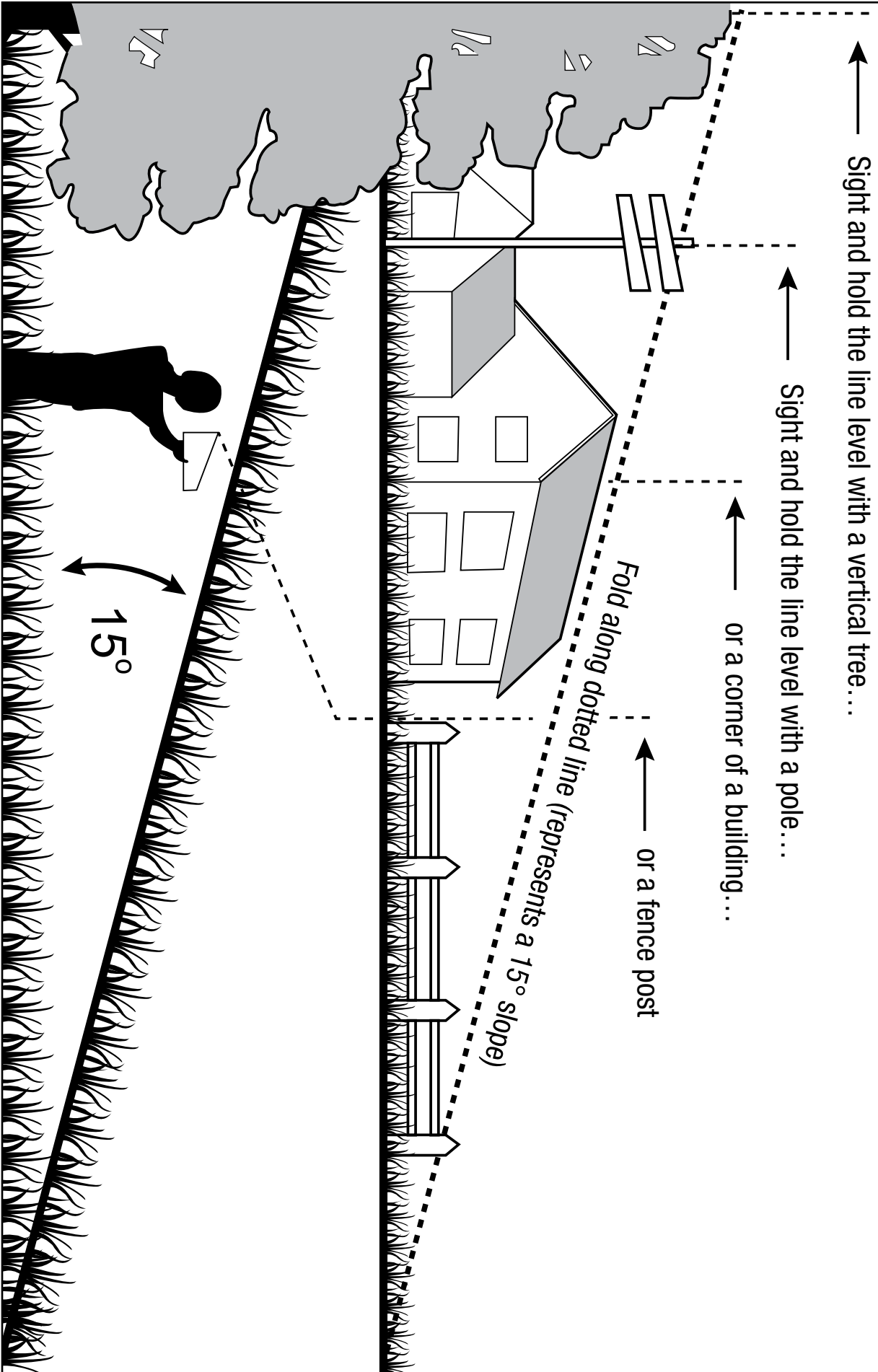
- Begin with a high cutting height and reduce it until the desired mowing result is attained. Grass over 6 inches long should be mowed twice, at successively lower cutting heights.
- To maintain a healthy lawn, cut off only one-third or less of the total length of the grass (Fig. 24). The average lawn should be approximately 1-1/2 to 2 inches long during cool months, and between 2 to 3-1/4 inches long during hot months. For healthier and better-looking lawns, mow more often after moderate growth.
- Do not cut wet grass. Mowing on wet surfaces can cause loss of control and the wheels to sink into the soft lawn. Wet grass will stick to the underside of the deck and prevent proper bagging or mulching of the grass clippings.
- New or thick grass may require a narrower cut or a higher cutting height.
- Keep the mower deck and side discharge chute clean. Remove grass clippings, leaves, dirt, and any other accumulated debris before and after each use. See section “**CLEANING THE MACHINE**” in this manual.
- When the mulching plug is used, it is important to mow frequently.



SLOPE OPERATION (Fig. 25)

See section “**SLOPE SPECIFIC**” in this manual for safety instructions before slope operation.

⚠ WARNING: Slopes are a major factor related to tip-over and roll-over accidents that can result in severe injury or death. Operation on slopes requires extra caution. If you feel uneasy on a slope, do not mow it. For your safety, do not attempt to mow steep slopes greater than 15 degrees. Make a copy or cut out the slope guide image (Fig. 25) and use to determine if your slope is too steep for safe operation.



- Mow up and down, not across the face of slopes.
- Do not mow on wet grass. Wet grass can cause the tires to lose traction or slip on slopes, even though the brakes are functioning properly.
- Watch for holes, ruts, rocks, hidden objects, or bumps which can cause you to slip or trip. Tall grass can hide obstacles. Remove all objects such as rocks, tree limbs, etc., which could be tripped over or thrown by the blade.
- Do not mow near drop-offs, ditches, or embankments.
- Drive slowly and do not make sudden changes in speed or direction.
- Avoid stopping on a slope if possible. If stopping on a slope is unavoidable, make sure to engage parking brake. When restarting, use the lowest possible speed. If turning is necessary, exercise extreme caution when changing direction and always turn downhill.
- If using the optional bagger, use extreme caution and operate the mower slowly when operating on slopes, as bagging can change the stability of the mower.
- If at any point the tires lose traction while operating on a slope, disengage the blades and proceed slowly and carefully straight down the slope.

MAINTENANCE

⚠ WARNING: Before performing any maintenance, stop the mower on a level surface and wait for the blades to come to a complete stop. Set the parking brake and remove the safety key to avoid accidental starting and possible serious personal injury.

⚠ WARNING: Always wear eye protection with side shields marked to comply with ANSI Z87.1. Failure to do so could result in objects being thrown into your eyes resulting in possible serious injury.

⚠ WARNING: When servicing, use only identical replacement parts. Use of any other parts may create a hazard or cause product damage. To ensure safety and reliability, all repairs should be performed by a qualified service technician.

⚠ WARNING: Strictly adhere to all torque wrench tightening specifications. Failure to do so could cause serious personal injury.

NOTICE: Remain alert for unusual noises, as they could be signaling a problem. Visually inspect the product for any abnormal wear or damage. Periodically inspect the entire product for damaged, missing, or loose parts such as screws, nuts, bolts, caps, etc, along with wire and string tangles. Tighten securely all fasteners and caps and do not operate this product until all missing or damaged parts are replaced.

RECOMMENDED MAINTENANCE SCHEDULE(S)

Maintenance Service Interval	Maintenance Procedure
Before each use or daily	<ul style="list-style-type: none"> ▪ Check the safety-interlock system. ▪ Visually check the tire whether it is flat. ▪ Inspect the blades. ▪ Inspect the entire product for damaged, missing, or loose parts such as side-discharge chute, screws, nuts, bolts, caps, etc., ensuring that all guards are in place and working properly.
After each use	<ul style="list-style-type: none"> ▪ Clean the mower deck.
Every 25 hours	<ul style="list-style-type: none"> ▪ Check tire pressure.
Every 50 hours	<ul style="list-style-type: none"> ▪ Check the grease condition inside the cutting blade flange.
Every 100 hours	<ul style="list-style-type: none"> ▪ Check the rear wheels, ensuring that the 4 lug nuts are fastened at the recommended torque.
Every 200 hours	<ul style="list-style-type: none"> ▪ Check the front wheels, ensuring that they turn freely.
Before storage	<ul style="list-style-type: none"> ▪ Remove the batteries from the mower. ▪ Remove the safety key from the mower. ▪ Perform all maintenance procedures listed above and thoroughly clean the mower. ▪ Inspect the entire product for damaged, missing, or loose parts, replace or tighten the corresponding ones before storage.
Annually	<ul style="list-style-type: none"> ▪ Check the parking brake pedal. Remove the battery from the mower and set the parking pedal at the braking position. Manually push the mower forwards to see whether the mower can be moved or not. If it moves, have it serviced by a qualified service technician.

GENERAL MAINTENANCE

- Avoid using solvents when cleaning plastic parts. Most plastics are susceptible to damage from various types of commercial solvents and may be damaged by their use. Use clean cloths to remove dirt, dust, oil, grease, etc. Insect repellent spray may damage plastic and painted surfaces. Do not spray insect repellent near the mower.
- Prolonged exposure to sunlight will damage some surfaces.
- Once the mower is left out in the rain accidentally, use dry clean cloths to dry the seat, control panel, etc., before you restart it or store it.

⚠ WARNING: Do not at any time let brake fluids, gasoline, petroleum-based products, penetrating oils, etc. come in contact with plastic parts. Chemicals can damage, weaken, or destroy plastic which can result in serious personal injury.

CLEANING THE MACHINE

Remove any build-up of grass and leaves on or around the mower housing. Wear eye protection and use compressed air after each use to clean the mower housing or the top side of the mower deck.

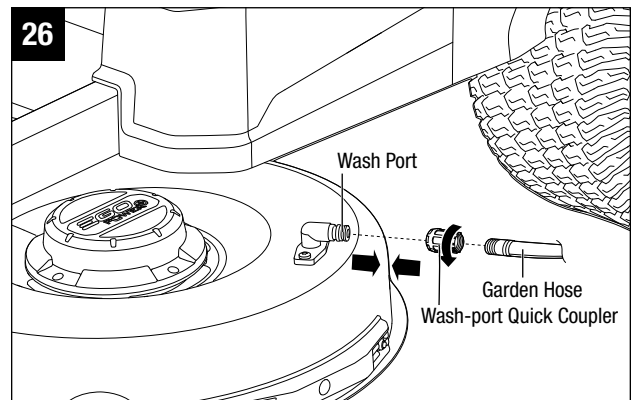
The underside of mower deck should also be cleaned using wash port after each use, as grass clippings, leaves, dirt, and other debris will accumulate, especially when grass is wet or has high moisture content. This accumulation is undesirable, as it will harden, restricting blade and air movement, probably resulting in a poorer quality of cut and even promoting rust and corrosion.

USING WASH PORT TO CLEAN MOWER DECK

NOTICE: Follow this procedure after EACH USE to prevent buildup and remove corrosive lawn chemicals.

IMPORTANT: You can wash the machine with a mild detergent and water. Do not pressure wash the machine. Avoid excessive use of water, especially near the control panel, under the seat, around the motors and all electric components and bearings.

1. Set the parking-brake pedal to the braking position. Refer to section “**PARKING BRAKE SETTING**” in this manual.
2. Adjust the mower deck height to the lowest. Refer to section “**CUTTING-DECK HEIGHT ADJUSTMENT**” in this manual.
3. Attach the supplied wash-port quick-coupler to garden hose.
4. Attach garden hose with quick-coupler to wash port on the mower deck. The wash port is on the left side of the mower deck.
5. Turn on the water.
6. Pull the PTO switch to start the mower cutting blades and adjust the blade speed to the highest. Refer to section “**Blade-Speed Adjustment Button**” in this manual.
7. Flush water under the deck for approximately one minute.
8. Disengage the mower blades by pushing the PTO switch downward.
9. Turn off the water and remove garden hose and quick-coupler from wash port.
10. Remove quick-coupler from garden hose and store for future use.
11. Turn off the mower completely. See section “**STOPPING THE ELECTRIC ZERO TURN MOWER**”.




NOTICE: When cleaning the deck using the wash port, the mower can be either in mulching or side discharging mode.

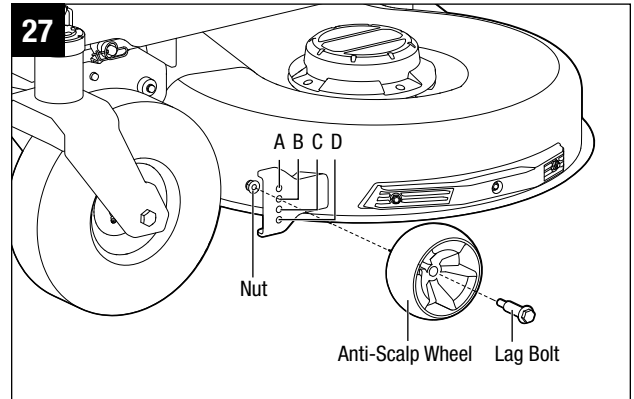
NOTICE: If the mower is not clean after one wash cycle, repeat the process until the deck is thoroughly cleaned.

ADJUSTING THE ANTI-SCALP WHEELS (Fig. 27)

The anti-scalp wheels are designed to minimize the chance of scalping the lawn when mowing on rough, uneven terrain. After setting the cutting height, adjust the anti-scalp wheels so they extend below the deck but do not contact the ground.

The anti-scalp wheels can be set in one of four positions:

- 
- Position A: less than 2 in grass cutting height
 - Position B: 2 – 3 in grass cutting height
 - Position C: 3 – 4 in grass cutting height
 - Position D: greater than 4 in grass cutting height



The anti-scalp wheels are set at Position B by default in production. They are held in place by one nut and lag bolt each.

NOTICE: one 1/2 in (13mm) wrench and one 19/32 in (15mm) wrench are required to adjust the wheels. Neither wrench is included.

1. Park the mower on a level surface and set the parking brake.
2. Stop the motors and remove the safety key. Allow the cutting blades to come to a complete stop.
3. Raise the deck to the desired cutting height.
4. Use 1/2 in (13mm) wrench to stabilize the nut first and then loosen and remove the lag bolt on the other side with 19/32 in (15mm) wrench.
5. Move the anti-scalp wheel to the desired position. Then, tighten the lag bolt and nut securely with the wrenches.
6. Repeat with the other anti-scalp wheel, making sure both wheels are installed in the same position.

LEVELING THE MOWER DECK

⚠ WARNING: Always protect your hands by wearing heavy gloves or wrapping the cutting edges with rags or other materials when performing any maintenance on the mower blade.

- If your lawn appears unevenly cut after using the mower or when the mower blade is reinstalled, the mower deck may need adjusting.
- Before deciding that leveling the mower deck is necessary, make sure that the tires are properly inflated to the recommended PSI (Please see section “**CHECKING THE TIRE PRESSURE**” in this manual). Over- or under-inflated tires can affect the appearance of the grass cutting, and proper inflation of the tires may be all that is needed to resolve uneven cutting issues. If the tires are under or over-inflated, the deck cannot be correctly adjusted.
- Check bent blades prior to leveling. Remove and replace any bent blades. See section “**REPLACING THE CUTTING BLADES**” in this manual for reference.
- Adjust the deck while the mower is on a level surface. Raise the deck to the highest position.

NOTICE: Mower deck anti-scalp wheels should not contact the ground when leveling the deck.

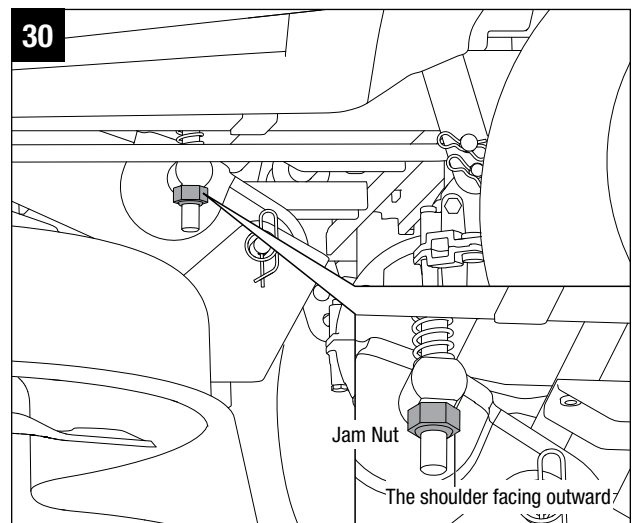
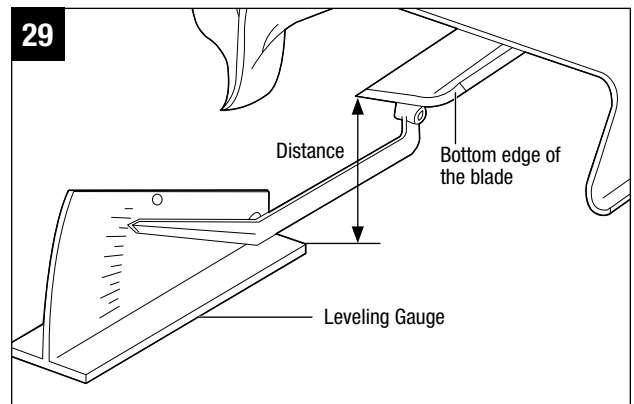
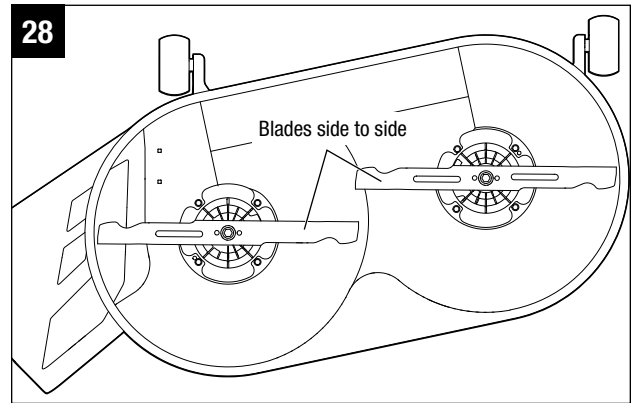
NOTICE: The deck must be adjusted slightly higher in the rear.

NOTICE: one 13/16 in (21mm) wrench and one 23/32 in (18mm) wrench are required to level the cutting deck. The wrenches are not included.

To Make Side-to-Side Adjustment

1. Position both blades so that the ends point toward the sides of the mower (Fig. 28).
2. On the outside edge of each blade, measure the distance from the bottom edge of the side of the blade to the ground (Fig. 29). If the distance between the two sides is greater than 13/64 in (5mm), side-to-side adjustment is necessary.
3. On the side you wish to adjust, use a 13/16 in (21mm) open-end wrench (not supplied) to adjust the one jam nut on the back of the mower (Fig. 30).
4. Measure again. Continue to adjust and measure until the difference between the distance on each side is within 13/64 in (5mm).
5. Proceed to front-to-back adjustment or retighten the nuts.

NOTICE: in case of the jam nut on the back is removed from the tool accidentally, remount it with the shoulder of the jam nut facing outward. No requirement for the two nuts on the suspension linkage.



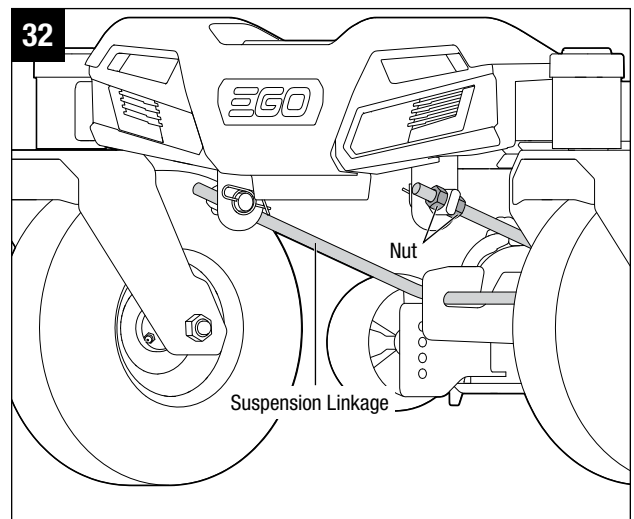
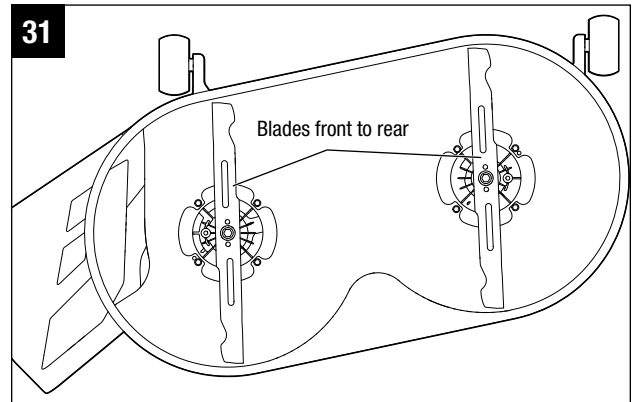
To Make Front-to-Rear Adjustment

NOTICE: Always level the deck side-to-side before making a front-to-rear adjustment.

1. Position both the blades so that the ends point toward the front and back of the mower (Fig. 31).
2. Measure the distance from the tip of one blade to the ground (see Fig. 29). For best results, the front tip of the blade should be from $5/64$ in to $25/64$ in (2mm to 10mm) lower than the rear tip.
3. If front-to-rear adjustment is needed, use a $23/32$ in (18mm) open-end wrench (not supplied) to adjust the four nuts on the suspension linkage (two for each side).

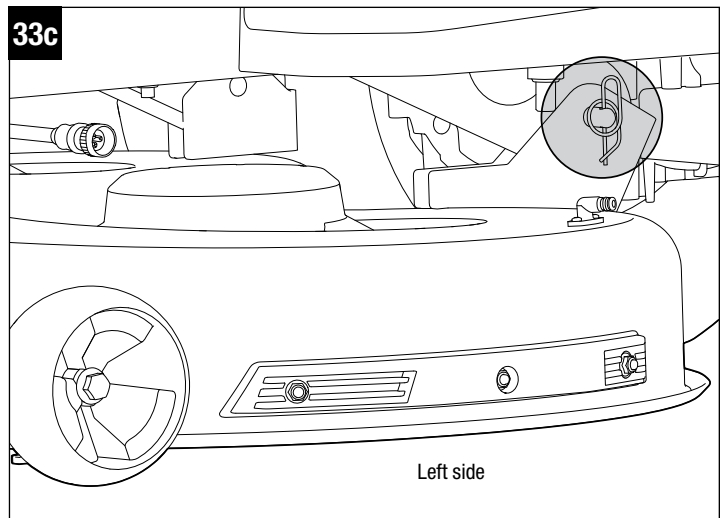
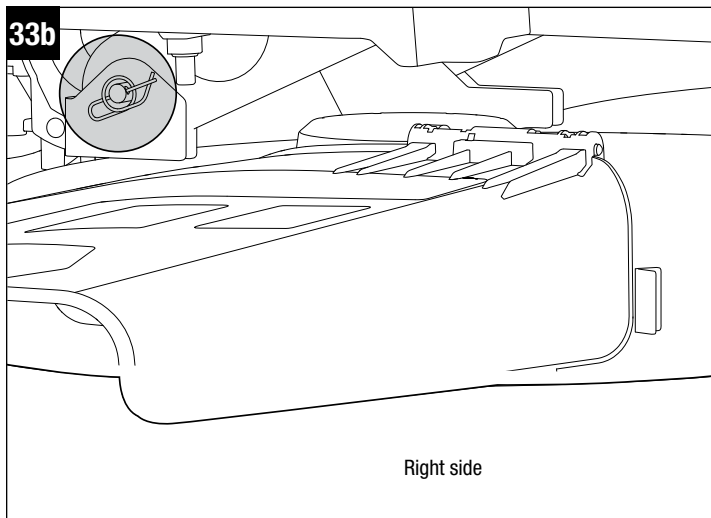
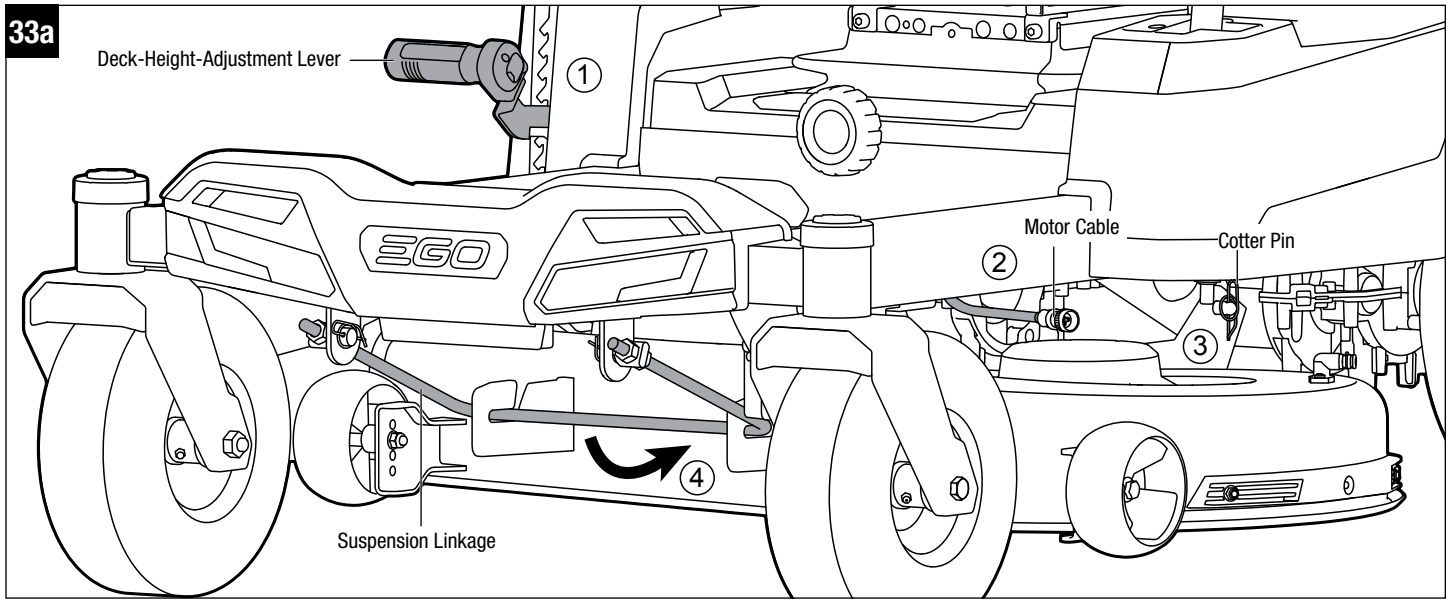
NOTICE: Make sure to turn the corresponding nuts on both sides equally to avoid altering the side-to-side measurement.

4. Measure again to verify that the front tip is now $5/64$ in to $25/64$ in (2mm to 10mm) lower than the rear tip. If not, continue to adjust and measure until they are.
5. Retighten the nuts. The recommended torque for the nuts is 38-42 ft-lb (52-57N.m).

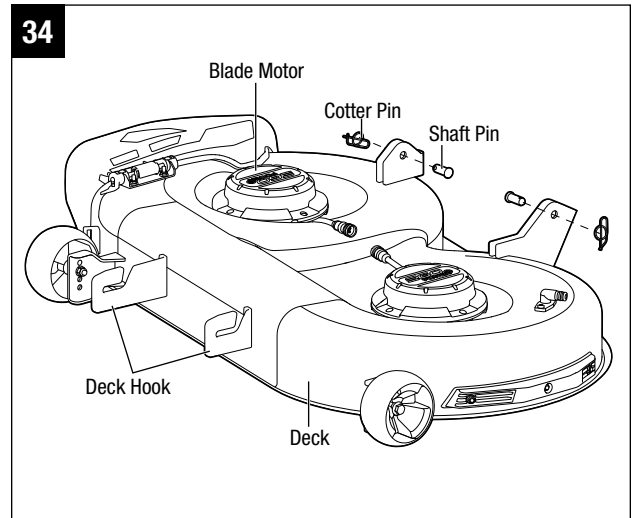


REMOVING THE MOWER DECK (Fig. 33a & b & c)

⚠ WARNING: Make sure that the mower is properly secured and the parking brake is set before proceeding. Raise the deck to the HIGHEST cutting height to allow easier access to the blades.



- Follow below steps to remove the mower deck from the product first and then perform maintenance.
1. Park the mower on a level surface and set the parking brake.
 2. Stop the motors and remove the safety key. Allow the cutting blades to come to a complete stop.
 3. Adjust the deck-height-adjustment lever to the lowest cutting height position.
 4. Disconnect both blade motor cables.
 5. Place a rug or a mat (similar in size to that of the deck) under the deck to prevent the damage to the deck.
 6. Remove the cotter pins and push the shaft pins out. Save both sets for deck re-assembly.
 7. Push the deck forward (towards the front wheels) and rotate the suspension linkage counterclockwise to release it from the deck hooks.
 8. Push the deck sideways and remove it from under the mower (Fig. 34).
 9. Clean the deck or replace the blade as directed in “**REPLACING THE CUTTING BLADE**” in this manual.
 10. When the cleaning or blade replacement is complete, reassemble the deck onto the mower in the reverse order.



NOTICE: Reconnect the motor cables, ensuring that the left motor cable is connected to the left motor while the right motor cable to the right motor. There are left or right indicated on the cables.

REPLACING THE CUTTING BLADES

To Remove the Cutting Blade

⚠ WARNING: Always protect your hands by wearing heavy gloves or wrapping the cutting edges with rags or other materials when performing any maintenance on the mower blade. Always remove the safety key and battery packs when servicing or transporting the mower.

NOTICE: The following tools (not included) are required for replacing the blade:

- 9/16 in (14mm) wrench
- Torque wrench with 9/16 in (14mm) sockets
- Screwdriver or metal rod 5/16 in (8 mm) or a little less
- Screwdriver or metal rod 1/4 in (6.35 mm) or a little less

Tools that make life easier: Impact wrench with 9/16 in (14mm) sockets make the removing the blade bolts much easier.

1. Remove the mower deck as section “**REMOVING THE MOWER DECK**” shown in this manual.
2. Reverse the deck on the ground with blades facing upward.

3. While wearing protective gloves, place a screwdriver or metal rod with diameter a little less than 5/16 in (8 mm) into the fixing hole in the motor to act as a stabilizer. Place another metal rod with diameter a little less than 1/4 in (6.35 mm) (e.g., a bit) into the aligned hole in the blade and the flange to act as another stabilizer (Fig. 35).
4. Use an 9/16 in (14mm) adjustable wrench or socket wrench (not included) to turn the blade bolt counterclockwise to loosen it (Fig. 35).
5. While wearing protective gloves, remove the bolt, washer and the blade (Fig. 36). The flange can be left on the motor shaft.

To Install the Cutting Blade

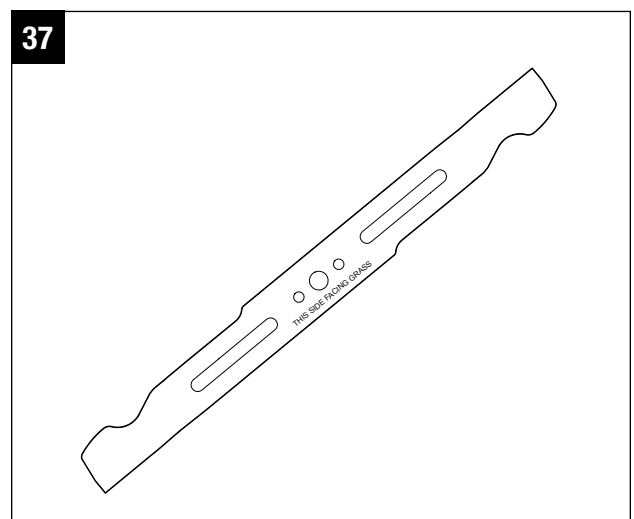
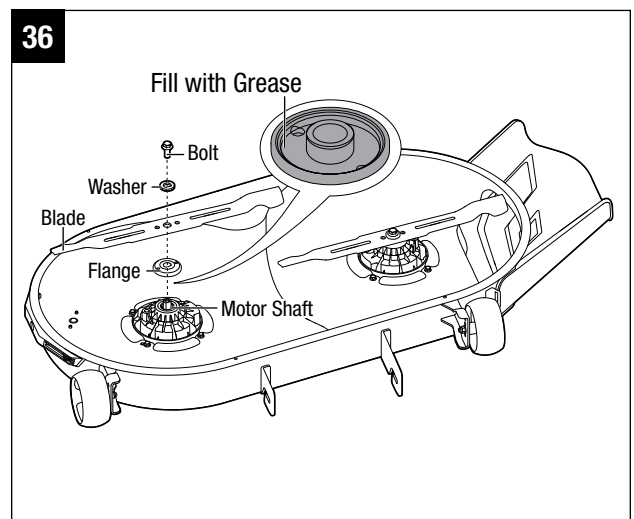
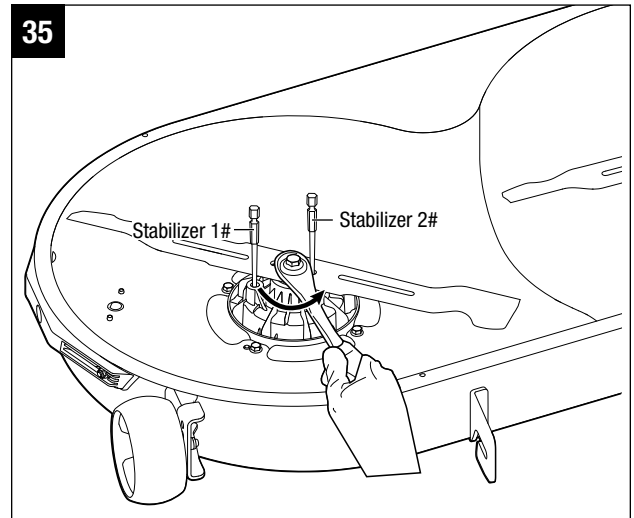
⚠ WARNING: Always protect your hands by wearing heavy gloves or by wrapping the cutting edges with rags or other materials when performing any maintenance on the mower blade. Always remove the safety key and battery pack when servicing or transporting the mower.

NOTICE: To re-install or replace the blade, make sure that all parts are replaced in the exact order in which they are removed (Fig. 36).

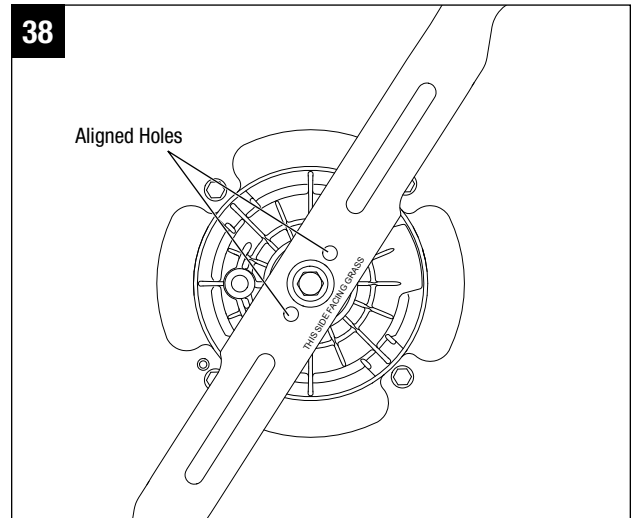
1. If the flange is removed during blade removing, align it with the motor shaft first and then assemble it into place.

NOTICE: Every 50 hours: examine the grease inside the flange by turning it upside-down. If the grease level is low, fill the concave area of the flange with gear grease before reassembly. The grease which can meet the following requirements is recommended:

- NLGI Grade Penetration: NLGI-3;
 - Thickener Type: Lithium soap thickener;
 - Recommended Operating Temperature Range: -4 – 248°F (-20 – 120°C).
2. While wearing protective gloves, position the blade on the flange with the surface stating “**THIS SIDE FACING GRASS**” facing toward outside (Fig. 37).
 3. Align the washer with the motor shaft and mount it onto the motor shaft.
 4. Mount the bolt into the motor shaft. Hand tighten the bolt clockwise.



5. Move the blade by hand to align the two holes in the blade with the two holes in the flange (Fig. 38).
6. Place a metal rod with diameter a little less than 1/4 in (6.35 mm) (e.g., a bit) into the aligned hole in the blade and the flange to act as a stabilizer. Place another screwdriver or metal rod with diameter a little less than 5/16 in (8 mm) into the fixing hole in the motor to act as a stabilizer (Fig. 39).
7. Use a 9/16 in (14 mm) torque wrench to tighten the bolt clockwise. The recommended torque for the blade bolt is 36-41 ft-lb (50-55 Nm).
8. Repeat the steps with the second blade, if needed.
9. Reassemble the deck onto the mower as directed in **“REMOVING THE MOWER DECK”** in this manual.



⚠ WARNING: Ensure that the blade is properly seated and the blade nut is tightened to the torque specifications above. Failure to properly attach the blade could cause it to come loose and result in possible serious personal injury.

SHARPENING THE CUTTING BLADE

⚠ WARNING: Always protect your hands by wearing heavy gloves or wrapping the cutting edges with rags or other materials when performing any maintenance on the mower blade. Always remove the safety key and battery packs when servicing or transporting the mower.

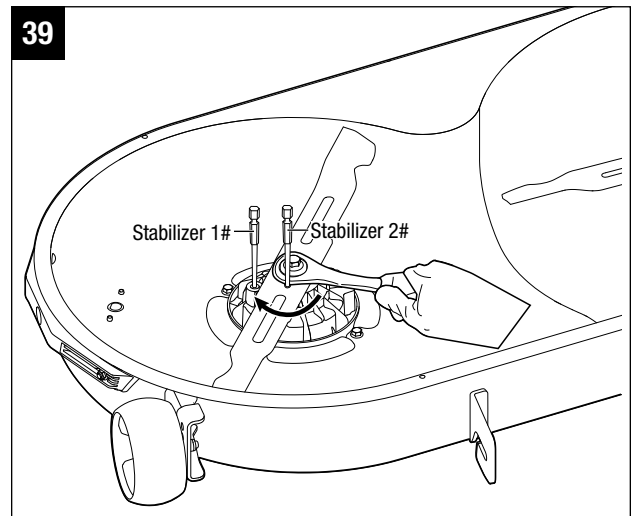
⚠ WARNING: Always wear eye protection with side shields marked to comply with ANSI Z87.1. Failure to do so could result in objects being thrown into your eyes resulting in possible serious injury.

⚠ WARNING: A worn, cracked, or damaged blade can break, and pieces of the damaged blade can become dangerous projectiles. Thrown objects can cause serious injury. Inspect the blade regularly, and do not operate the mower with a worn or damaged blade.

NOTICE: Keep the blade sharp for best mower performance. A dull blade does not cut grass cleanly or mulch properly. **A dull blade can be sharpened**, but a blade that is excessively worn, bent, cracked, or otherwise damaged must be replaced. A worn or damaged blade can break, causing blade pieces to be thrown from the mower. If the blades are found to be bent, take the lawn mower to an authorized EGO service center for inspection. **Never attempt to straighten a bent blade by heating, or weld a cracked or broken blade.**

SHARPENING FREQUENCY

Sharpening the cutting blade twice during a mowing season is usually sufficient under normal circumstances. Sand causes the blade to dull quickly; if your lawn has sandy soil, more frequent sharpening may be required.



WHEN SHARPENING THE CUTTING BLADE

1. Make sure that the blade remains balanced.
2. Sharpen the cutting blade at the original cutting angle.
3. Sharpen the cutting edges on both ends of the blade, removing an equal amount of material from each end.

SHARPENING BLADE IN A VISE

1. Remove the blade from the mower (please see section “REPLACING THE CUTTING BLADE” in this manual).
2. Secure the blade in a vise (Fig.40).
3. Wear proper eye protection and gloves and be careful not to cut yourself.
4. Carefully file the cutting edges of the blade with a fine tooth file or sharpening stone, maintaining the original cutting edge angle.
5. To check the blade balance: clamp a nail or a screw driver with a round shank in the horizontal position. Position the blade so that the nail or round shank of the screwdriver supports the blade through its center hole. Balance the blade horizontally. If either end of the blade rotates downward, remove some metal from the heavy (or lower) end until the blade is balanced. It is balanced when neither end drops (Fig. 41).
6. Replace the blade and mount it onto the mower securely (please see section “REPLACING THE CUTTING BLADE” in this manual).

⚠ WARNING: An unbalanced blade will cause excessive vibration when rotating at high speeds. It may cause damage to the mower and could break, causing personal injury.

CHECKING THE TIRE PRESSURE

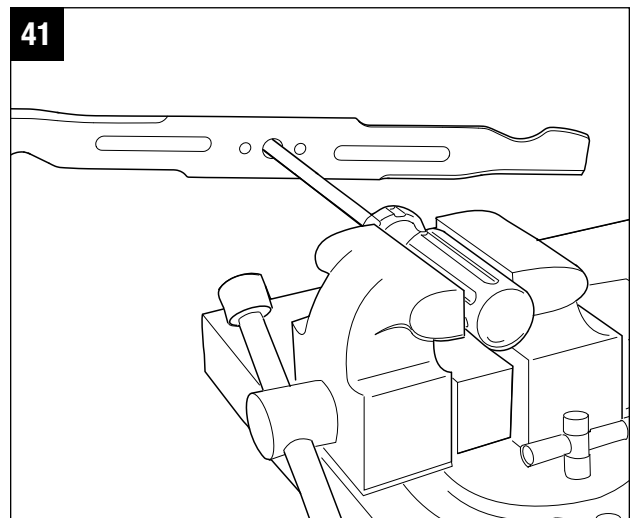
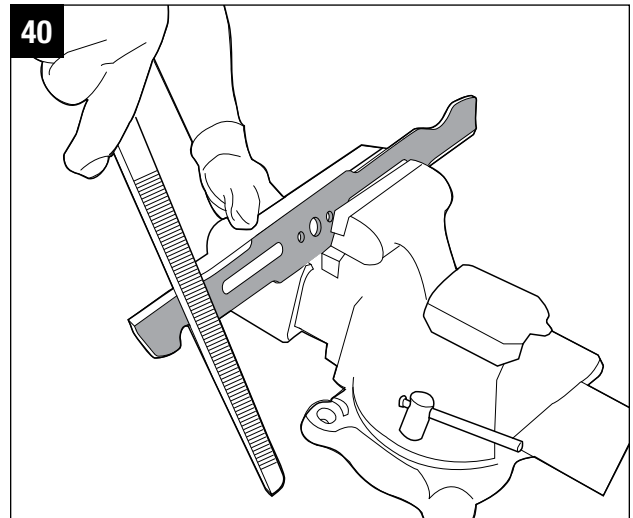
Check the air pressure in all tires before use. Improper air pressure will affect handling, steering response, traction, tire life, level cutting, and operator comfort. Be sure tires are inflated to the pressure shown below.

It is important for level mowing that all tires have the correct amount of air pressure. If the mower is not tracking straight, please check the air pressure of the wheels first.

NOTICE: Tire pressure should only be measured or adjusted when tires are cold.

	Front Wheel	Rear Wheel
Recommended Pressure	32 PSI (222.1 kPa)	7 PSI (48.3 kPa)

⚠ WARNING: Check the tire pressure carefully while inflating. Too much air in the tire could cause the tire to burst, causing serious personal injury.



⚠ WARNING: Maintaining correct air pressure in the tires is very important. Too little pressure could allow the tire to rotate off the wheel rim. Too much pressure could cause the tire to burst. Failure to maintain correct air pressure in the tires could cause problems with mower operation and stability, causing serious personal injury.

REPLACING THE WHEELS

NOTICE: The following tools (not included) are required for replacing the wheels:

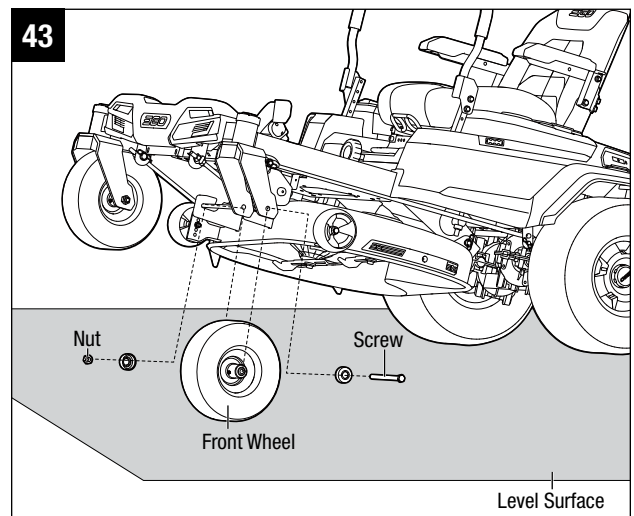
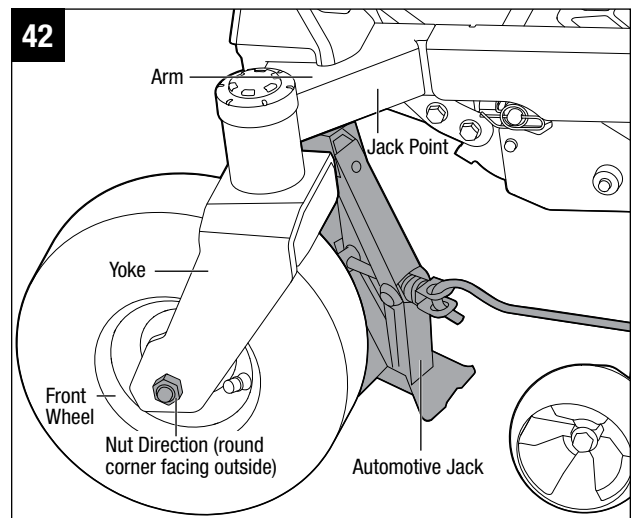
- Automotive jack
- Jack Stand
- Wheel chocks
- Open-end wrench or adjustable wrench. Required size are 13/16 in (21mm) and 23/32 in (18 mm)
- Torque wrench with 13/16 in (21mm) socket
- Flat-blade screwdriver

⚠ WARNING: If raising the mower, make sure that the mower is properly secured and the parking brake is set before proceeding. Failure to properly secure the mower could cause it to fall, resulting in death or possible serious personal injury.

To Replace the Front Wheel (Fig. 43)

Check the wheels at 200 hour intervals. Check that the front wheels turn freely. If a wheel does not turn freely, replace it.

1. Raise the arm of the wheel that requires replacement using an automotive jack. Use only recommended jack point shown in Fig. 42.
2. Use the 23/32 in (18 mm) wrench (not included) to stabilize the screw first and then loosen and remove the nut on the other side with a 13/16 in (21 mm) wrench.
3. Pull the wheel in a forward or downward direction, out of the yoke (Fig. 43). Replace the front wheel.
4. When installing the new wheel, take care of the nut direction and tighten it with a torque wrench (see Fig. 42). The recommended torque for the front wheel nut is 66-70 ft-lb (90-95 Nm).



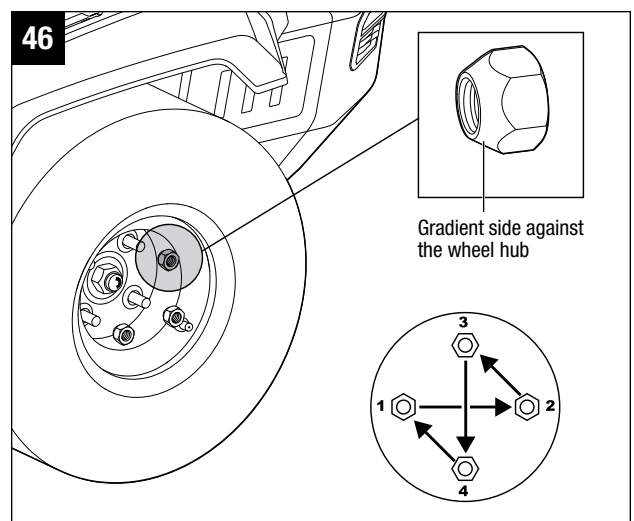
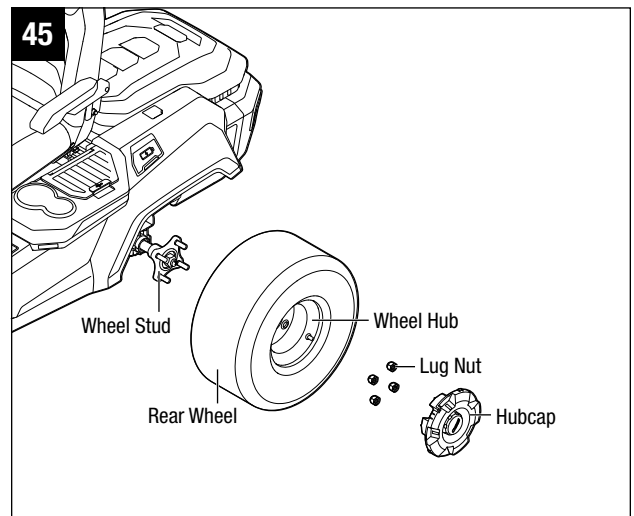
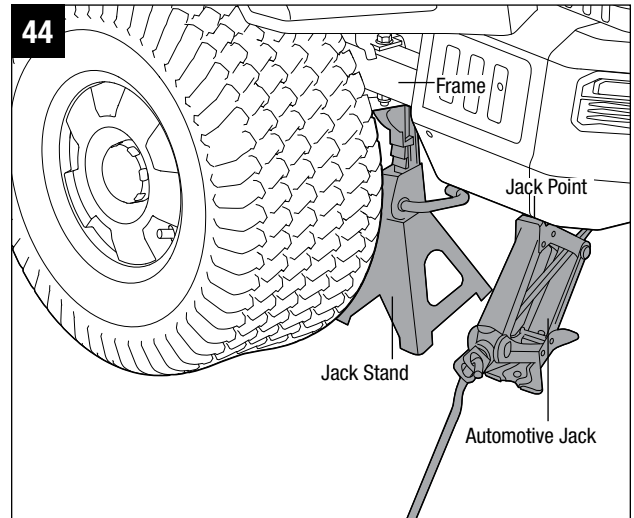
To Replace the Rear Wheel (Fig. 45)

The rear wheel for zero turn mower is a driving wheel. When it is damaged, mower performance will be greatly affected. Replace it immediately.

1. Restrain the movement of front wheels with wheel chocks.
2. Lift the affected side of the mower with an automotive jack at the jack point shown in Fig. 44.
3. Insert the jack stand underneath the mower's frame. Lower the automotive jack until the mower frame rests on the jack stand.
4. Use a flat-blade screwdriver (not included) to pry and remove the hubcap on the rear wheel.
5. Use the 13/16 in (21 mm) socket wrench (not included) to loosen the four lug nuts (one turn for each nut).
6. Remove the four lug nuts on the rear wheel. Check the four lug nuts and if they are in good condition, save them for reassembly. Otherwise, replace them at the same time.
7. Pull the wheel off from the wheel studs. Replace the wheel.
8. When securing the new wheel, ensure the proper orientation of the lug nuts – the tapered end against the wheel hub. Finger-tighten the lug nuts (Fig. 46).
9. Lower the mower by reversing the steps 2 & 3. Tighten the lug nuts in the order shown in Fig. 45 using a torque wrench. The recommended torque for the rear wheel lug nuts is 74-76 ft-lb (101–103 N m).

⚠ WARNING: Particular attention must be given to tightening the wheel nuts, especially the drive-wheel lug nut. Failure to correctly torque these items may result in the loss of a wheel, which can cause serious damage or personal injury.

LUG NUTS ONLY - It is recommended that these be checked after the first 2 hours of operation, initially, every 100 hours and following removal for repair or replacement.



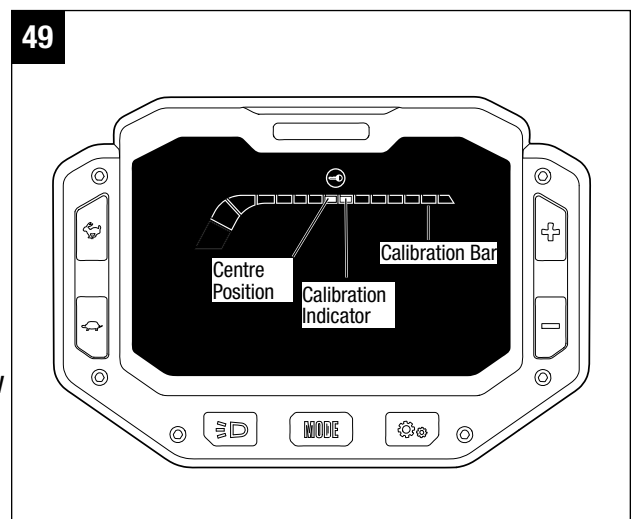
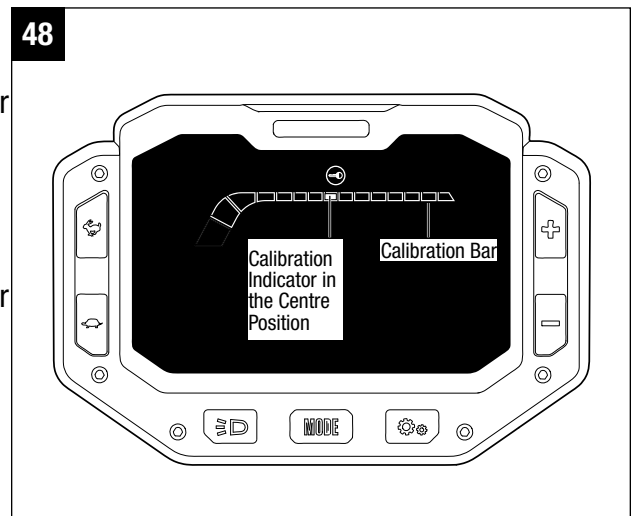
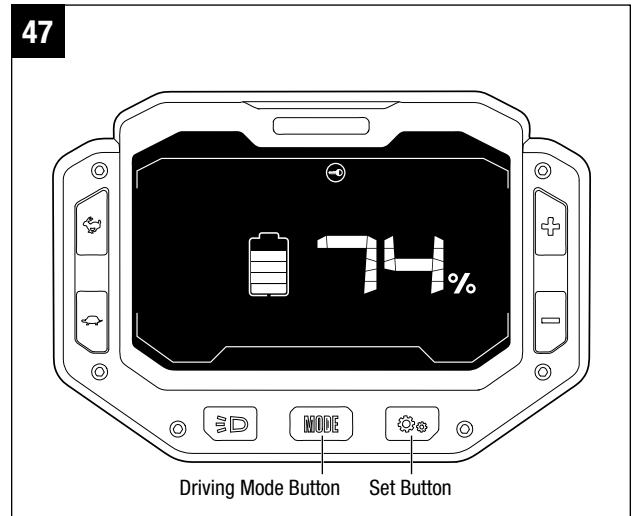
CALIBRATE THE MOWER TRACKING SYSTEM

If the mower is not tracking straight, first check the air pressure in both rear wheel tires. If the tire pressures are set to the recommendation in section “**CHECKING THE TIRE PRESSURE**” in this manual, calibrate the mower tracking system as follows:

1. Insert the battery packs into the battery compartments of the power unit.
2. Set the parking-brake pedal in the braking position.
3. Press the start/stop button briefly and the LCD screen will show “**Fuel Gauge**” (Fig. 47).
4. Press and hold the driving-mode button and the set button simultaneously for more than 3 seconds to enter the calibration interface. The beeping indicator will sound once and the LCD screen will show the calibration bar with the calibration indicator in the centre position (Fig. 48).
5. When the mower drives to the left, the right wheel of the mower should be calibrated by briefly pressing the driving-speed-adjustment button “”. Press once, the calibration indicator will move to the right one grid from centre position and keeps flashing (Fig. 49).
6. When the mower drives to the right, the left wheel of the mower should be calibrated by briefly pressing the driving speed adjustment button “”. Press once, the calibration indicator will move to the left one grid from centre position and keeps flashing.
7. When the calibration is finished, press the set button to save and quit the calibration interface. The beeping indicator will sound once to indicate that the calibration is saved successfully. Restart the mower to check whether the mower can drive straight. Otherwise, repeat the above steps until the mower is tracking straight.

RESETTING THE MOWER TO INITIAL FACTORY SETTING

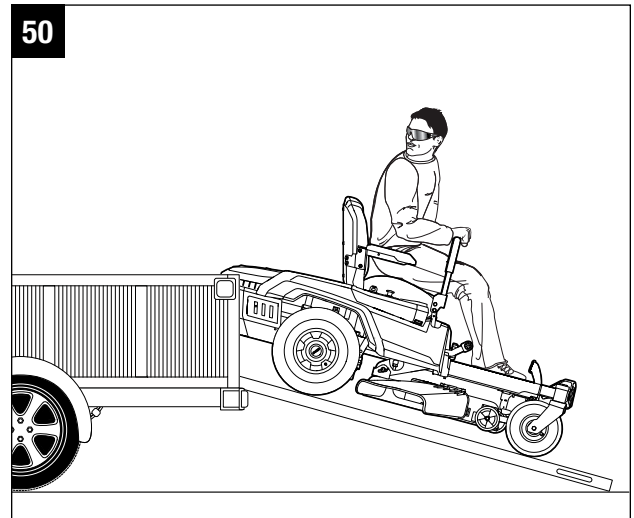
1. Insert the battery packs into the battery compartments of the power unit.
2. Set the parking-brake pedal in the braking position.
3. Press the start/stop button briefly and the LCD screen will show “**Fuel Gauge**” (see Fig. 47).
4. Press and hold the LED light button and set button simultaneously for more than 5 seconds, the beeping indicator will sound once time as a reminder and the mower status indicator over the LCD screen will flash ORANGE. Resetting is successful.



TRANSPORTING THE MOWER

See “**TRANSPORT**” in this manual for safety instruction before transporting the mower.

1. Park the mower on a level surface.
2. Raise the cutting deck to the highest position.
3. Position and secure full width ramps to the trailer. Full width ramps will minimize the risk of the mower’s wheels going off the side of the ramp.
4. Slowly back the mower onto the ramp and into the trailer (Fig. 50).
5. Stop the mower and set the park brake pedal.
6. Turn off the start/stop button and remove the safety key.
7. Secure the mower as needed, using straps or cables to prevent movement during transport.





STORAGE

The following steps should be taken in order to prepare the lawn mower for storage.

- Remove the battery packs from the mower and store the batteries in a cool, dry location.
- Remove the safety key from the mower.
- Thoroughly clean the mower. See section “**CLEANING THE MACHINE**” in this manual for reference.
- Inspect the mower for worn or damaged parts and tighten any nuts or screws that may have become loose.
- Store the mower in a dry, clean location. Do not store it next to corrosive materials, such as fertilizer or rock salt.
- Store the mower in a covered, enclosed space, out of the reach of children.

NOTICE: Plastic coverings trap moisture around the mower, which causes rust and corrosion.

TROUBLESHOOTING

PROBLEM	CAUSE	SOLUTION
<p>The electric zero turn mower fails to drive when the two steering levers are pushed forward or backward at the beginning.</p>  Steering level icon blinks	<ul style="list-style-type: none"> ■ The combined Ah of the inserted batteries is less than 15Ah. ■ The parking brake pedal is set in the braking position. ■ The steering levers are not in the open position when starting the mower. ■ The operator is not sitting on the seat. ■ The seat switch is not connected correctly. 	<ul style="list-style-type: none"> ■ In order to start this mower, EGO batteries totaling 15Ah (2 X BA4200/BA4200T) or more are required. For best performance, we recommend use of EGO batteries that total 30Ah or more. ■ Fully depress the parking brake pedal to release it from the braking position. ■ Return the steering levers to the open position and restart the mower. ■ Only when the operator correctly sits on the seat, can he operate the mower. ■ Remove the battery from the mower and disassemble the seat in the reverse order of the instructions in section "TO INSTALL THE SEAT" in this manual to inspect the seat switch connection. Reassemble the seat and follow the instructions in "STARTING THE ELECTRIC ZERO TURN MOWER" to restart the mower to see if the mower can be started. If not, contact a qualified service technician for repair.
<p>The electric zero turn mower stops driving.</p>	<ul style="list-style-type: none"> ■ Steering levers require a "reset". ■ The electric controlling components of the steering levels are failed. ■ The seat switch got disconnected during driving on a rough terrain. 	<ul style="list-style-type: none"> ■ Return the steering levers to the open position and restart the mower. ■ Contact a qualified service technician for repair. ■ Remove the battery from the mower and disassemble the seat in the reverse order of the instructions in section "TO INSTALL THE SEAT" in this manual to inspect the seat switch connection. Reassemble the seat and follow the instructions in "STARTING THE ELECTRIC ZERO TURN MOWER" to restart the mower to see if the mower can be started. If not, contact a qualified service technician for repair.
<p>The driving speed/driving mode cannot be adjusted during driving.</p>	<ul style="list-style-type: none"> ■ This is a feature of the electric zero turn mower for safe driving. 	<ul style="list-style-type: none"> ■ The function will activate only when the mower wheels are stopped and the steering levers are open.
<p>The electric zero turn mower fails to start the blades when the PTO switch is engaged.</p>  PTO Switch icon blinks	<ul style="list-style-type: none"> ■ The combined Ah of the inserted batteries is less than 15Ah. ■ The PTO switch is not pushed down when the mower is stopped last time. ■ The mower is overloaded at the moment the blades starting, resulting in motor self-protection. 	<ul style="list-style-type: none"> ■ In order to start this mower, EGO batteries totaling 15Ah (2 X BA4200/BA4200T) or more are required. For best performance, we recommend use of EGO batteries that total 30Ah or more. ■ Push the PTO switch downward and restart the mower's blades. ■ Start the mower grass cutting in lower blade speed first and until the blades are getting succeeded rotation, do not accelerate the blade speed as needed.

PROBLEM	CAUSE	SOLUTION
<p>The blades stop working during grass cutting.</p>	<ul style="list-style-type: none"> ■ The mower is overloaded. ■ The mower deck is clogged with grass and debris. ■ The mower is overheated. ■ The battery pack(s) in the mower's battery compartment is overheated, resulting in combined Ah rating of all inserted batteries to be below 15Ah. ■ The mower is in Limp-Home mode. ■ The mower is hit a foreign object, resulting in motor self-protection. 	<ul style="list-style-type: none"> ■ Raise the deck cutting height or slowing down the driving speed to reduce the load of the mower. ■ Clean the mower deck and make certain that the blades have freedom of movement. ■ Reduce the load of the mower, by raising the deck cutting height or slowing down the blade/driving speed and allow the mower to cool. ■ 1. The mower can continue working if the combined battery Ah rating, overheated battery excluded, is equal to or more than 15Ah. Once the overheated battery returns to normal temperature, it will join in powering the mower immediately. ■ 2. If the combined battery Ah rating is less than 15Ah, the mower will not work until more battery packs are inserted into the vacant battery compartments. ■ 3. Reduce the load of the mower by raising the deck cutting height or slowing down the mowing when resuming operation. ■ When the mower is in Limp - Home mode, the blades are automatically switched into low rotation speed without grass cutting. The operator should stop working and go to the battery charging area as soon as possible. ■ Push the PTO switch downward and restart the mower blades.
<p>The beeping indicator continues sounding.</p>	<ul style="list-style-type: none"> ■ The mower is in Limp-home mode and the blades are not turned off. ■ The mower stops driving on a slope and the operator opens the steering levers and is off the seat without setting the park-brake pedal at the braking position. 	<ul style="list-style-type: none"> ■ Push the PTO switch down to disengage the deck blades. The beeping indicator will stop sounding when the blade stops. ■ Set the park brake pedal in the braking position before leaving the mower on the slope.
<p>The battery indicators are still on when the mower is turned off.</p>	<ul style="list-style-type: none"> ■ When the mower is turned off on level ground without removing the battery pack(s) from the mower, the battery indicators will remain illuminated for 3 minutes. ■ When the mower is turned off on a slope without setting the park-brake at the braking position, the battery indicators will keep on until the battery charge is depleted. The beeping indicator keeps sounding at the same time. 	<ul style="list-style-type: none"> ■ No action is needed. The battery indicators will go off after a period. ■ Set the park brake pedal in the braking position before the operator leave the tool on the slope.
<p>The LCD screen fails to be illuminated with all icons on.</p>	<ul style="list-style-type: none"> ■ The pressing time on the start/stop button is less than 3 seconds. 	<ul style="list-style-type: none"> ■ The LCD screen will only display "Fuel Gauge" when the start/stop button is pressed briefly. ■ The LCD screen will turn on after the start/stop button has been pressed for 3 seconds.

PROBLEM	CAUSE	SOLUTION
The mower cuts unevenly, with significant height difference front to rear.	<ul style="list-style-type: none"> ■ The blades are dull. ■ The blades are bent. ■ The mower deck is not leveled, resulting in different cutting blade height. 	<ul style="list-style-type: none"> ■ Sharpen or replace the cutting blade as instructed in this manual. ■ Replace the bent cutting blade following the instructions in section "REPLACING THE CUTTING BLADES". ■ Level the mower deck following the instructions in section "LEVELING THE MOWER DECK".
The actual grass cutting height is not aligned with the claimed height.	<ul style="list-style-type: none"> ■ The mower deck nuts are loosened on the suspension linkage (see Fig. 32). ■ The mower deck is damaged or seriously worn. 	<ul style="list-style-type: none"> ■ Follow the instructions in section "LEVELING THE MOWER DECK" to make correct front-to-rear adjustment for the mower deck and securely tighten the four nuts on the suspension linkage (two for each side). ■ Follow the instructions in section "REMOVING THE MOWER DECK" to have mower deck replaced.
The mower does not mulch properly.	<ul style="list-style-type: none"> ■ Wet grass clippings are sticking to the underside of the deck. ■ The mower is set to cut too much grass at once. 	<ul style="list-style-type: none"> ■ Wait until the grass dries before mowing. ■ Raise the deck cutting height.
There is excessive vibration.	<ul style="list-style-type: none"> ■ The cutting blades are loose. ■ The blades are bent. ■ The mower deck is not leveled. ■ The mower deck nuts are loosened on the suspension linkage (see Fig. 32). ■ The mower is set to cut too much grass at once. 	<ul style="list-style-type: none"> ■ Tighten the blade bolt to the recommended torque 36-41 ft-lb (50-55 Nm). ■ Replace the bent cutting blade following the instructions in section "REPLACING THE CUTTING BLADES". ■ Level the mower deck following the instructions in section "LEVELING THE MOWER DECK". ■ Use a 23/32 in (18mm) open-end wrench (not supplied) to tighten the four nuts on the suspension linkage (two for each side). ■ Raise the deck cutting height.
There are grass or debris remaining on the ground after mowing.	<ul style="list-style-type: none"> ■ The mower is set to cut too much grass at once when the grass is tall. ■ The grass is wet. ■ The driving speed is high. ■ The blade speed is low. 	<ul style="list-style-type: none"> ■ Begin with a high cutting height and reduce it until the desired mowing result is attained. Grass over 6 inches tall should be mowed twice, at successively lower cutting heights. ■ Do not mow when the grass is wet until the grass dries. ■ Slow down the driving speed. ■ Increase the blade speed gradually.
Short running time of the mower with included battery.	<ul style="list-style-type: none"> ■ Grass conditions and cutting-height setting will greatly affect the battery run time. The claimed run time is based on a light load condition. 	<ul style="list-style-type: none"> ■ Raise the deck cutting height and slow down the blade speed to reduce the cutting load.

PROBLEM	CAUSE	SOLUTION
The mower is not tracking straight.	<ul style="list-style-type: none"> ■ The tire pressures for the left and right rear wheels are different. ■ The driving speed for the left and right rear wheels are different. 	<ul style="list-style-type: none"> ■ Check and adjust the air pressure in both rear wheel tires, according to the recommendation in section "CHECKING THE TIRE PRESSURE" in this manual. ■ Calibrate the mower tracking system following the instructions in section "CALIBRATE THE MOWER TRACKING SYSTEM".
The parking brake pedal cannot not be released from the braking position or is slow to spring back.	<ul style="list-style-type: none"> ■ There may be debris or dirt getting inside the parking braking pedal. 	<ul style="list-style-type: none"> ■ Open the parking brake pedal box to thoroughly clean the box inside and close it. Resetting the parking pedal to see whether the problem is solved. If not, contact a qualified service technician for repair.
The mower cannot be charged via charging port with the mower status indicator shining solid red.	<ul style="list-style-type: none"> ■ The plug of the charger is not correctly inserted into the charging port on the mower. ■ There is no power in the wall outlets. ■ Charger malfunction. ■ The charger port on the mower is defective. 	<ul style="list-style-type: none"> ■ Reconnect the charger plug to see whether the mower can be charged normally. ■ No action is needed. Wait until the power recovers. ■ Contact a qualified service technician for inspection and have charger repaired if needed. ■ Contact a qualified service technician for repair.
The charging time via the mower charging port is too long.	<ul style="list-style-type: none"> ■ The charger is not suitable. 	<ul style="list-style-type: none"> ■ Use EGO charger CHV1600/CHV1600-FC for charging the electric zero turn mower directly.
The battery cannot be fully charged via the mower charging port.	<ul style="list-style-type: none"> ■ The battery or the charger failure. 	<ul style="list-style-type: none"> ■ The mower status indicator will shine solid red in case of the charger failure, while it is off in case of the battery pack failure. Have the charger and/or the battery pack serviced or replaced.
The mower cannot be started after cleaning.	<ul style="list-style-type: none"> ■ Improper cleaning, such as water getting on the electric components, LCD screen etc. 	<ul style="list-style-type: none"> ■ Follow the instructions in section "GENERAL MAINTENANCE" and "CLEANING THE MACHINE" to clean the mower correctly. ■ If the mower caught in rain accidentally, leave it for over 12 hours to dry or use compressed air to dry it.
It is easy for the mower to be clogged.	<ul style="list-style-type: none"> ■ The mower deck is clogged with grass and debris. 	<ul style="list-style-type: none"> ■ Clean the mower deck after each use, following the section "Using Wash Port to Clean Mower Deck".
The mower easily loses traction when climbing up on the slope.	<ul style="list-style-type: none"> ■ The tires of the rear wheels are worn. 	<ul style="list-style-type: none"> ■ Seek local service to replace the wheel tires or when the wheel itself is damaged replace the rear wheel following the instructions in section "REPLACING THE WHEELS".
When the mower is stopped on a slope with the parking brake pedal pressed, the mower can slide downward the slope.	<ul style="list-style-type: none"> ■ The brake components are excessively worn due to improper operation of the mower. 	<ul style="list-style-type: none"> ■ Contact a qualified service technician for repair.

FAULT CODE & STATUS INDICATOR REFERENCE

LCD Display	Description	Fault code on LCD	LED Status Indicator	Beeper	Cause	Solution
	Safety key icon blinks	n/a	OFF	No	The safety key is not inserted.	Insert the safety key then press and hold the START/STOP button for more than 3 seconds to turn on the mower.
	The icon of the empty battery compartment blinks	n/a	OFF	No	Battery capacity is not sufficient to allow the ride on mower to work.	In order to start this mower, EGO batteries totaling 15Ah (2 X BA4200/BA4200T) or more are required. For best performance, we recommend use of EGO batteries that total 30Ah or more.
	The overload indicator blinks	n/a	Flashes red	One beep	The blade motor is overloaded.	Raise the deck cutting height or slow the driving speed to reduce the load of the mower.
	The icon of the thermometer blinks.	n/a	Flashes red	One beep	The mower is overheated.	Reduce the load of the mower by raising the deck cutting height or slowing down the blade/driving speed. Take a break and allow the mower to cool.
	The over-heat icon and the exact occupied battery compartment blink at the same time	n/a	OFF	No	The battery pack in the corresponding numbered battery compartment is overheated.	<ol style="list-style-type: none"> 1. The mower can continue working if the combined battery Ah rating, overheated battery excluded, is equal to or more than 15Ah. Once the overheated battery returns to normal temperature, it will join in powering the mower immediately. 2. If the combined battery Ah rating is less than 15Ah, the mower will not work until more battery packs are inserted into the vacant battery compartments. 3. Reduce the load of the mower by raising the deck cutting height or slowing down the mowing when resuming operation.

LCD Display	Description	Fault code on LCD	LED Status Indicator	Beeper	Cause	Solution
	The icons of each occupied battery compartment, low power indicator, battery graphics of fuel gauge blink every 1 second at the same time on the LCD screen. The last segment of the LED fuel-gauge & status indicator blinks too.	n/a	Flashes red	Keep beeping until the PTO switch is pushed downward.	The battery packs are low on charge and the mower is in Limp Home mode.	Stop working and return to the battery charging area. NOTICE: When the mower is in Limp-Home mode, the blades are automatically switched into low rotation speed without grass cutting and meanwhile the sound indicator will keep beeping. The operator should push the PTO switch downward to disengage the deck blades. The sound indicator will stop beeping after blade stopping.
	The icon of each occupied battery compartment and low power indicator blinks every half a second	n/a	OFF	No	The battery packs are nearly depleted.	The mower will stop working immediately. The operator should transport the mower to the battery charging area for charging.
	The auto-parking icon blinks on the LCD	n/a	OFF	Keeps beeping	The mower is parked on a slope and the operator leaves the mower without setting the brake pedal at the braking position, just with the steering levels in the open position.	Set the brake pedal at the braking position. The auto-parking icon will be off and the sound indicator will stop beeping.
	Brake pedal icon is displayed on the LCD	n/a	OFF	No	The parking brake pedal is set at the braking position.	Release it before starting the mower.
	Seat sensor icon is displayed on the LCD	n/a	OFF	No	The operator leaves the seat or seat switch is disconnected.	If with the operator seated on the seat, the icon is on, stop operating the mower immediately and check the seat or seat connection. If the seat connection with the mower is confirmed correct, please contact a qualified service technician for repairs.

LCD Display	Description	Fault code on LCD	LED Status Indicator	Beeper	Cause	Solution	
	PTO Switch icon blinks	n/a	OFF	No	The blade motor was interrupted in operation and the PTO switch is not set to off position.	Before restarting the mower, push the PTO switch downward to disengage the deck motor. Please see “ TROUBLESHOOTING ” section in this manual for reference.	
	Steering lever icon blinks	n/a	OFF	No	The driving motor was interrupted in operation and the steering levers are not set to open position.	Before restart the mower, move the steering levers to the open position. Please see “ TROUBLESHOOTING ” section in this manual for reference.	
	Energy recovery icon blinks occasionally.	n/a	OFF	No	The kinetic energy generated during braking or driving downhill is converted into electricity to charge the battery packs.	This is normal operation. No action is needed.	
see “ Fault code ”	Left driving motor does not rotate.	PCBA controlled left driving motor fails.	413	OFF	One beep	PCBA failure	Have repairs performed by a qualified service technician.
		Plug (Triple-phase, power wire) connecting the left driving motor with the corresponding PCBA is loosened.	317	OFF	One beep	Loose connection	Have repairs performed by a qualified service technician.
		Plug (Six pins, signal wire) connecting the left driving motor with the corresponding PCBA is loosened.	301	OFF	One beep	Loose connection	Have repairs performed by a qualified service technician.
		Left driving motor fails.	317	OFF	One beep	Motor failure	Have repairs performed by a qualified service technician.

LCD Display	Description	Fault code on LCD	LED Status Indicator	Beeper	Cause	Solution	
see "Fault code"	Right driving motor fails in rotation	PCBA controlled right driving motor fails.	313	OFF	one beep	PCBA failure	Have repairs performed by a qualified service technician.
		Plug (Triple-phase, power wire) connecting the right driving motor with the corresponding PCBA is loosened.	417	OFF	one beep	Loose connection	Have repairs performed by a qualified service technician.
		Plug (Six pins, signal wire) connecting the right driving motor with the corresponding PCBA is loosened.	401	OFF	one beep	Loose connection	Have repairs performed by a qualified service technician.
		Right driving motor fails.	417	OFF	one beep	Motor failure	Have repairs performed by a qualified service technician.
see "Fault code"	Left blade motor fails in rotation	PCBA controlled left blade motor fails	607	n/a	one beep	PCBA failure	Have repairs performed by a qualified service technician.
		Plug (Triple-phase, power wire) connecting the left blade motor with the corresponding PCBA is loosened.	509	n/a	one beep	Loose connection	Inspect the blade firstly. If it is loosened, use a 9/16 in (14 mm) torque wrench to tighten the bolt clockwise. The recommended torque for the blade bolt is 36-41 ft-lb (50-55 Nm). Otherwise, have repairs performed by a qualified service technician.
		Left blade motor fails	509	n/a	one beep	Motor failure	
see "Fault code"	Right blade motor fails in rotation	PCBA controlled right blade motor fails	507	n/a	one beep	PCBA failure	Have repairs performed by a qualified service technician.
		Plug (Triple-phase, power wire) connecting the right blade motor with the corresponding PCBA is loosened.	609	n/a	one beep	Loose connection	Inspect the blade firstly. If it is loosened, use a 9/16 in (14 mm) torque wrench to tighten the bolt clockwise. The recommended torque for the blade bolt is 36-41 ft-lb (50-55 Nm). Otherwise, have repairs performed by a qualified service technician.
		Right blade motor fails	609	n/a	one beep	Motor failure	

LCD Display	Description		Fault code on LCD	LED Status Indicator	Beeper	Cause	Solution
see “Fault code”	Left steering lever fails	Left steering lever controlling PCBA fails.	311/412	OFF	one beep	PCBA failure	Have repairs performed by a qualified service technician.
		Plug connecting the controlling PCBA, located in the steering bar, is loosened.				Loose connection	Have repairs performed by a qualified service technician.
see “Fault code”	Right steering lever fails	Right steering lever controlling PCBA fails.	411/312	OFF	one beep	PCBA failure	Have repairs performed by a qualified service technician.
		Plug connecting the controlling PCBA, located in the steering bar, got loosened.				Loose connection	Have repairs performed by a qualified service technician.
see “Fault code”	Parking brake fails, the tool cannot be driven.	Parking brake PCBA, which is in the front frame assembly, is broken.	309/409	OFF	one beep	PCBA failure	Have repairs performed by a qualified service technician.
		Parking brake switch and/or wire is broken.	801	OFF	one beep	Wire/Switch failure	
OFF	Charging Port Fault		n/a	Solid RED	n/a	The charging port is in open circuit.	Have repairs performed by a qualified service technician.
			n/a	Solid RED	n/a	There is no power supply.	Check the wall outlet whether there is 120V supplied or the socket is good.
			n/a	Solid RED	n/a	The fuse is blown.	Have repairs performed by a qualified service technician.
see “Fault code”	Charging Port Fault		204	n/a	one beep	The charging port is in open circuit.	Have repairs performed by a qualified service technician.

LCD Display	Description	Fault code on LCD	LED Status Indicator	Beeper	Cause	Solution
see “Fault code”	Battery Box Assembly not functioning.	217	n/a	one beep	The power source from Battery Box assembly is broken. The LED headlights and USB will not work.	Have repairs performed by a qualified service technician.
		310/410	OFF	one beep	The connection between Type C wires of Battery Box assembly and other Type C wires of the mower is out of work.	Have repairs performed by a qualified service technician.
		201/202/203	OFF	one beep	The BMS of the Battery Box assembly is broken.	Have repairs performed by a qualified service technician.
see “Fault code”	Start/stop Switch Fault	314/414	OFF	one beep	Switch PCBA failure or bad wire connection for Start/stop Switch.	Have repairs performed by a qualified service technician.
see “Fault code”	LCD Screen Fault	315/415	OFF	one beep	LCD assembly is broken or bad wire connection of the LCD assembly.	Have repairs performed by a qualified service technician.

WARRANTY

EGO WARRANTY POLICY

5-year limited warranty on EGO POWER+ outdoor power equipment and portable power for personal, household use.
3-year limited warranty on EGO POWER+ System battery packs and chargers for personal, household use. An additional 2-year extended warranty applies for the 10.0Ah battery whether sold separately (Model# BA5600T) or included with any tool, if it is registered within 90 days of purchase. 5-year limited warranty on CHV1600 charger, designed for use with Zero Turn Riding Mower for personal, household use.

2 year/1year limited warranty on EGO outdoor power equipment, portable power, battery packs, and chargers for professional and commercial use.

The detailed warranty periods by products can be found online at <http://egopowerplus.com/warranty-policy>.

Please contact EGO Customer Service Toll-Free at 800-346-9876 (800-EGO-ZTRM) any time you have questions or warranty claims.

LIMITED SERVICE WARRANTY

EGO products are warranted against defects in material or workmanship from the date of original retail purchase for the applicable warranty period. Defective product will receive free repair.

- a) This warranty applies only to the original purchaser from an authorized EGO retailer and may not be transferred. Authorized EGO retailers are identified online at <http://egopowerplus.com/warranty-policy>.
- b) The warranty period for reconditioned or factory certified products used for residential purpose is 1 year, for industrial, professional or commercial purpose is 90 days.
- c) The warranty period for routine maintenance parts, such as, but not limited to, ride-on mower seat, wheels, tires, anti-scalp wheels, brake disc, friction block, blades, trimmer heads, chain bars, saw chains, belts, scraper bars, rubber paddles, augers, skid shoes, blower nozzles, and all other EGO accessories is 90 days for residential purpose, 30 days for industrial, professional or commercial purpose. These parts are covered for 90/30 days from manufacture defects in normal working conditions.
- d) This warranty is void if the product has been used for rental purpose.
- e) This warranty does not cover the damage resulting from modification, alteration or unauthorized repair.
- f) This warranty only covers defects arising under normal usage and does not cover any malfunction, failure or defect resulting from misuse, abuse (including overloading of the product beyond capacity and immersion in water or other liquid), accidents, neglect or lack of proper installation, and improper maintenance or storage.
- g) This warranty does not cover normal deterioration of the exterior finish, including but not limited to scratches, dents, paint chips, or to any corrosion or discoloring by heat, abrasive and chemical cleaners.

HOW TO OBTAIN SERVICE

For warranty service, please contact EGO customer service toll-free at **800-346-9876 (800-EGO-ZTRM)**. When requesting warranty service, you must present the original dated sales receipt. An authorized service center will be selected to repair the product according to the stated warranty terms. When bringing your product to the authorized service center, there may be a small deposit that will be required when dropping off your tool. This deposit is refundable when the repair service is deemed to be covered under warranty.



ADDITIONAL LIMITATIONS

To the extent permitted by applicable law, all implied warranties, including warranties of MERCHANTABILITY or FITNESS FOR A PARTICULAR PURPOSE, are disclaimed. Any implied warranties, including warranties of merchantability or fitness for a particular purpose, that cannot be disclaimed under state law are limited to the applicable warranty period defined at the beginning of this article.

Chervon North America is not responsible for direct, indirect, incidental or consequential damages.

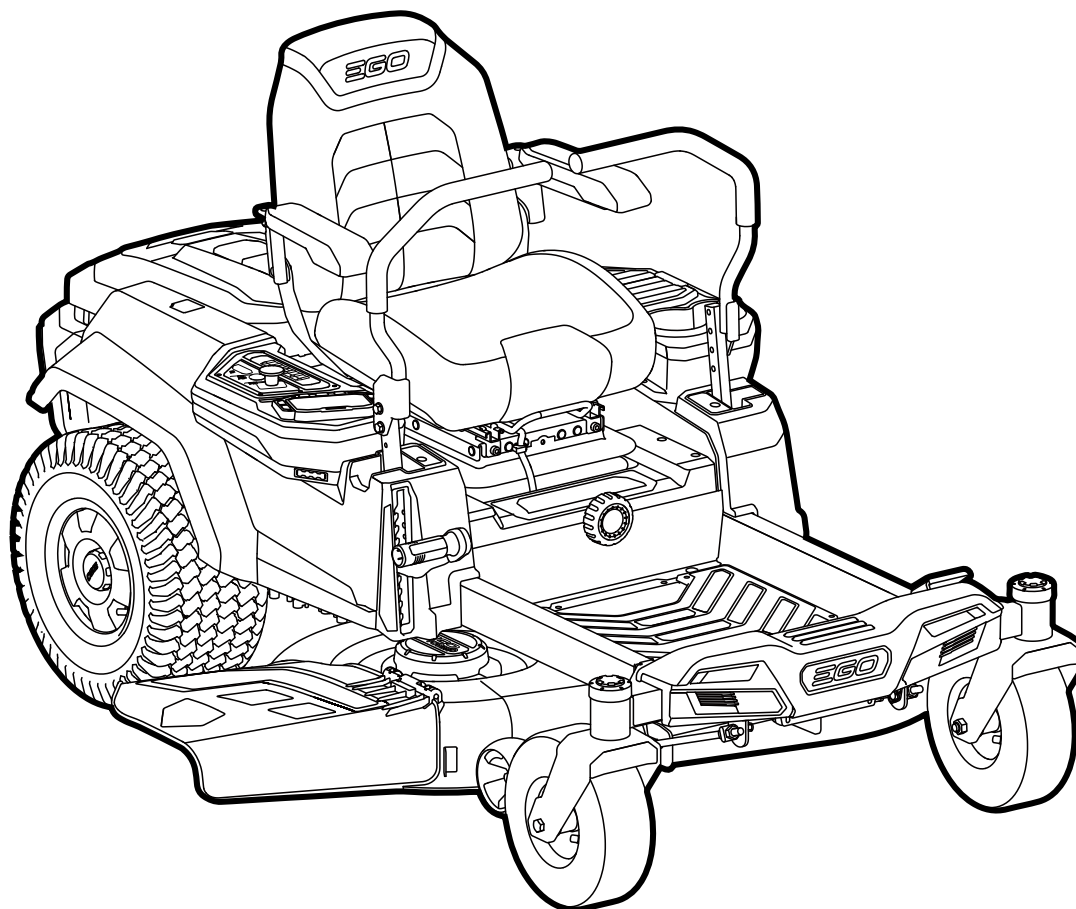
Some states do not allow limitations on how long an implied warranty lasts and/or do not allow the exclusion or limitation of incidental or consequential damages, so the above limitations may not apply to you.

This warranty gives you specific legal rights, and you may also have other rights which vary from state to state.

For customer service contact us toll-free at: **800-346-9876 (800-EGO-ZTRM) or EGOPOWERPLUS.COM**. EGO Customer Service, 769 SEWARD AVE NW / Suite 102 Grand Rapids, MI 49504

EGO™

POWER⁺ ELECTRIC ZERO TURN MOWER



MODE D'EMPLOI

TONDEUSE ÉLECTRIQUE À RAYON DE BRAQUAGE ZÉRO AVEC PILES AU LITHIUM-ION DE 56 VOLTS

MODÈLE NUMÉRO ZT4200L/ZT4200L-FC



AVERTISSEMENT : Pour réduire le risque de blessure, lisez le Mode d'emploi et assurez-vous que vous le comprenez avant de commencer à utiliser ce produit. Conservez ces instructions en vue de référence future.

TABLE DES MATIÈRES

Symboles de sécurité	71
Consignes de sécurité	72-74
Comment utiliser une tondeuse à conducteur porté en toute sécurité	75-78
Introduction	79
Caractéristiques	79
Accessoires recommandés pour la tondeuse électrique à rayon de braquage zéro	80
Description	81-90
Assemblage	91-98
Fonctionnement	99-112
Entretien	113-128
Dépannage	129-133
Référence Relative Au Code D'erreur Et À L'indicateur D'état De Fonctionnement	134-142
Garantie	143-144

LISEZ TOUTES LES INSTRUCTIONS !



LISEZ LE MODE D'EMPLOI ET ASSUREZ-VOUS QUE VOUS LE COMPRENEZ.

SYMBOLES DE SÉCURITÉ

La raison d'être des symboles de sécurité est d'attirer votre attention sur les dangers possibles. Les symboles de sécurité et les explications qui les accompagnent méritent votre attention et votre compréhension. Les avertissements relatifs aux symboles n'éliminent pas, par eux-mêmes, tout danger. Les instructions et les avertissements qu'ils donnent ne remplacent pas les mesures appropriées de prévention des accidents.

⚠ AVERTISSEMENT : Il est essentiel de lire et de comprendre toutes les consignes de sécurité de ce Mode d'emploi, y compris tous les symboles d'alerte relatifs à la sécurité tels que « **DANGER** », « **AVERTISSEMENT** » et « **MISE EN GARDE** » avant de commencer à utiliser cet outil. Le non-respect des instructions indiquées ci-dessous pourrait causer un choc électrique, un incendie et/ou une blessure grave.

SIGNIFICATION DES SYMBOLES

⚠ SYMBOLE D'ALERTE RELATIF À LA SÉCURITÉ : Indique un **DANGER**, un **AVERTISSEMENT** ou une **MISE EN GARDE**. Peut être utilisé conjointement avec d'autres symboles ou pictogrammes.



⚠ AVERTISSEMENT : Le fonctionnement de tout outil électrique peut entraîner la projection de corps étrangers dans les yeux, ce qui peut provoquer de graves lésions oculaires. Avant de commencer à utiliser des outils électriques, portez toujours des lunettes de sécurité ou des lunettes de protection avec des écrans latéraux et un écran facial complet si nécessaire. Nous recommandons d'utiliser un masque de sécurité à vision large plutôt que des lunettes de protection ou des lunettes de sécurité standard avec des écrans latéraux. Utilisez toujours une protection oculaire conforme à la norme ANSI Z87.1.

CONSIGNES DE SÉCURITÉ

Cette page illustre et décrit les symboles de sécurité pouvant figurer sur ce produit. Il est essentiel de lire, de comprendre et de suivre toutes les instructions figurant sur la machine avant de tenter de la monter et de l'utiliser.

	Alerte relative à la sécurité	Indique un risque de blessure.
	Lisez le Mode d'emploi et assurez-vous que vous le comprenez.	Pour réduire le risque de blessure, l'utilisateur doit lire le mode d'emploi et s'assurer qu'il le comprend avant de commencer à utiliser ce produit.
	Protection des yeux	Portez toujours des lunettes de sécurité ou des lunettes de protection avec des écrans latéraux et un masque facial complet lorsque vous utilisez ce produit.
	Utilisation des dispositifs de sécurité	N'ouvrez pas ou ne retirez pas les écrans protecteurs pendant que ce produit est en train de fonctionner.
	AVERTISSEMENT – Gardez les mains et les pieds suffisamment éloignés.	Pour réduire le risque de blessure, gardez les mains et les pieds éloignés des pièces en rotation. N'utilisez pas cet outil si le couvercle de décharge ou le sac à herbe n'est pas à sa place. S'il est endommagé, remplacez-le immédiatement.
	DANGER – Demandez à toutes les autres personnes présentes de se tenir à une distance suffisante.	Ne tondez pas pendant que des enfants ou d'autres personnes se trouvent à proximité.
	Ne portez jamais d'enfants.	Ne portez jamais d'enfants, d'autres personnes ou d'animaux, même lorsque les lames ne tournent pas.
	Regardez derrière vous lorsque vous reculez.	Regardez toujours en bas et derrière vous avant et pendant toute manœuvre de marche arrière ou de demi-tour. Assurez-vous qu'il n'y a pas d'enfants, d'autres personnes ou d'animaux à proximité.
	DANGER – Risque associé à une pente abrupte	Faites extrêmement attention sur des pentes. Ne tondez pas des terrains en pente de plus de 15 degrés. N'utilisez pas la tondeuse sur des pentes à proximité d'étendues d'eau.
	DANGER – Objets projetés	Retirez tous objets qui risquent d'être projetés par la lame dans une direction quelconque. Portez des lunettes de sécurité.

	DANGER – Risque d’aller au-delà du bord ou d’entrer dans l’eau	Restez à au moins deux largeurs de tonte (2 m / 7 pi) de tout fossé ou dénivelé, ou de toute étendue d’eau, pour ne pas risquer un accident pouvant résulter d’une chute dans le fossé ou dénivelé, ou de l’entrée dans l’eau.
	Stationnement	S’illumine lorsque le frein de stationnement est activé.
	Interrupteur de prise de force	Engage les lames.
	Bouton de marche/arrêt	Après avoir inséré la clé de sécurité, appuyez sur le bouton de marche/arrêt et maintenez-le enfoncé pendant trois secondes pour faire démarrer la tondeuse.
	Bouton de réglage de la vitesse de conduite	Appuyez sur « » pour augmenter la vitesse de conduite la plus élevée de la tondeuse.
	Bouton de réglage de la vitesse de conduite	Appuyez sur « » pour réduire la vitesse de conduite la plus élevée de la tondeuse.
	Bouton de réglage de la vitesse des lames	Appuyez sur « + » pour accélérer la vitesse de fonctionnement des lames.
	Bouton de réglage de la vitesse des lames	Appuyez sur « - » pour réduire la vitesse de fonctionnement des lames.
	Symboles de recyclage	Ce produit utilise des piles au lithium/ion (Li-ion). Les règlements nationaux, provinciaux ou municipaux peuvent interdire le dépôt de piles dans les ordures ordinaires. Consultez votre autorité locale en matière de gestion des déchets pour obtenir des informations sur les options de recyclage et/ou de mise au rebut disponibles.
IPX4	Degré de protection contre la pénétration	Protection contre les éclaboussures
V	Volts	Tension
A	Ampère	Courant
Hz	Hertz	Fréquence (cycles par seconde)
W	Watt	Puissance
	Courant continu	Type ou une caractéristique du courant

mm	Millimètre	Longueur ou taille
in.	Pouce	Longueur ou taille
Ft-lb	Pi-lb	Couple
Nm	Newton-mètre	Couple
kg	Kilogramme	Poids
lb	Livre	Poids
°C	Celsius	Température
°F	Fahrenheit	Température
MPH	Miles par heure	Vitesse
km/h	kilomètres par heure	Vitesse
TR/MIN	Tours par minute	Vitesse de rotation
PSI	lb par po ²	Intensité de la pression
kPa	kilopascal	Intensité de la pression

REMARQUE : Voir Fig. 1 & 3 pour plus de symboles de LCD et d'instructions pour l'utilisation.

⚠ AVERTISSEMENT : Pour assurer la sécurité et la fiabilité, toutes les réparations doivent être effectuées par un réparateur compétent.

COMMENT UTILISER LA TONDEUSE À CONDUCTEUR PORTÉ EN TOUTE SÉCURITÉ

⚠ DANGER: Cette machine est capable d'amputer des mains et des pieds, et de projeter des objets. Le non-respect des consignes de sécurité suivantes pourrait causer des blessures graves, voire la mort.

INFORMATIONS GÉNÉRALES

- Il faut lire, comprendre et suivre les instructions et les avertissements figurant dans ce mode d'emploi et sur la machine ainsi que ses attachements.
- Ne laissez utiliser la tondeuse que par des opérateurs qui sont responsables, dûment formés, connaissant les instructions et physiquement capables de s'en servir.
- Ne transportez pas de passagers et demandez aux autres personnes présentes de rester à une distance suffisante de la tondeuse.
- N'utilisez pas la machine après avoir consommé de l'alcool ou des drogues.
- Suivez les recommandations du fabricant en ce qui concerne le poids et les contrepoids des roues.

PRÉPARATION AVANT L'UTILISATION

- Déblayez la zone d'utilisation en retirant tous les objets qui risqueraient d'être projetés par la tondeuse ou de faire obstacle à son fonctionnement normal.
- Assurez-vous qu'il n'y a personne, en particulier de petits enfants, dans la zone d'utilisation. Arrêtez la machine et ses attachements éventuels si quelqu'un pénètre dans cette zone.
- Ne vous servez pas de la machine avant de vous être assuré que le bac à herbe, la goulotte de décharge et les autres dispositifs de sécurité sont en place et fonctionnent correctement. Inspectez-la fréquemment pour voir s'il y a des signes d'usure ou de détérioration, et remplacez toutes les pièces endommagées.
- Portez des équipements de protection personnelle appropriés tels que des lunettes de sécurité, des protecteurs d'oreilles et des chaussures.

FONCTIONNEMENT

- N'utilisez la machine qu'à la lumière du jour ou avec une bonne lumière artificielle.
- Évitez les trous, les ornières, les bosses, les rochers ou autres dangers cachés. Un terrain accidenté pourrait causer le renversement de la machine, ou faire perdre l'équilibre à son opérateur.
- Ne mettez pas les mains ou les pieds à proximité de pièces en rotation ou au-dessous de la machine. Restez tout le temps à une distance suffisante de l'ouverture de décharge.
- N'orientez pas la goulotte de décharge en direction d'une personne se trouvant à proximité. Évitez des matériaux contre un mur ou une obstruction. Ils risqueraient de ricocher et de frapper l'opérateur. Arrêtez la lame ou les lames lorsque vous traversez des surfaces couvertes de gravier.
- Ne laissez pas une machine en marche sans surveillance. Garez-la toujours sur un terrain plat, désengagez l'attachement, activez le frein de stationnement et arrêtez le moteur.
- Ne tondez pas en marche arrière sauf si cela est absolument nécessaire. Regardez toujours en bas et derrière vous lorsque vous reculez.
- Évitez de tondre de la pelouse humide. Soyez stables sur vos pieds pour ne pas risquer de glisser et de tomber.
- Si vous vous trouvez dans des situations qui ne sont pas couvertes dans ce mode d'emploi, faites preuve de bon sens. Contactez le Service clientèle d'EGO pour obtenir de l'assistance.

- Utilisez seulement la tondeuse avec des blocs-piles et chargeurs indiqués ci-dessous :

BLOC-PILE	CHARGEUR
BA1400, BA1400-FC, BA2800, BA2800-FC, BA4200, BA4200-FC, BA1400T, BA1400T-FC, BA2800T, BA2800T-FC, BA4200T, BA4200T-FC, BA5600T, BA5600T-FC	CHV1600, CHV1600-FC

AVIS : pour faire démarrer cette tondeuse à conducteur porté il est nécessaire d'utiliser des piles EGO (2 XBA4200/BA4200T) de 15 Ah au total, ou PLUS; pour obtenir la meilleure performance, nous recommandons des piles EGO de 30 Ah ou PLUS.

CONSIDÉRATIONS SPÉCIFIQUEMENT RELATIVES AUX ENFANTS

- Des accidents tragiques peuvent survenir si l'opérateur n'est pas alerte en présence d'enfants. Les enfants sont souvent attirés par une tondeuse en action. Ne supposez jamais que les enfants resseront là où vous les avez vus pour la dernière fois.
- Assurez-vous que les enfants sont en dehors de la zone de fonctionnement et qu'ils sont surveillés par un adulte responsable autre que l'opérateur.
- Ne transportez pas d'enfants, même si la lame ou les lames sont arrêtées. Les enfants pourraient tomber et être gravement blessés, ou ils pourraient nuire au bon fonctionnement de la machine. Les enfants qui ont été transportés auparavant peuvent soudainement apparaître dans la zone de fauche en espérant être transportés à nouveau et être heurtés ou écrasés par la machine.

CONSIDÉRATIONS RELATIVES AUX PENTES

⚠ AVERTISSEMENT : Les pentes causent beaucoup d'accidents. Il faut faire extrêmement attention lors de l'utilisation de la tondeuse sur des pentes.

- Suivez les instructions du fabricant pour un fonctionnement sur des pentes. Faites particulièrement attention lorsque vous utilisez la tondeuse à proximité d'un dénivelé important.
- N'utilisez pas la machine dans des conditions pouvant affecter sa traction, sa conduite ou sa stabilité. Les pneus risqueraient de glisser même si les roues sont arrêtées.
- Laissez toujours la transmission embrayée lorsque vous descendez le long d'une pente. Ne laissez pas la machine descendre toute seule par la force de gravité.
- Évitez de démarrer ou d'arrêter la machine sur des pentes. Évitez de changer soudainement la vitesse ou la direction. Tournez lentement et progressivement.
- Faites particulièrement attention lorsque vous utilisez une tondeuse avec un bac à herbe ou d'autres attachements. Ils pourraient affecter la stabilité de la tondeuse.

HALAGE

- Utilisez des rampes d'accès de largeur standard pour charger et décharger une machine en vue de son transport.

TRANSPORT

- La machine est lourde et pourrait causer des blessures graves si elle tombait sur quelqu'un. Faites très attention lorsque vous la chargez sur un véhicule ou sur une remorque, ou lorsque vous l'en déchargez.
- Utilisez des rampes d'accès de largeur standard pour charger une machine sur une remorque ou sur un camion.

- Utilisez une remorque agréée pour transporter la machine. Actionnez le frein de stationnement en bloquant les leviers de direction en position ouverte et placez la pédale du frein de stationnement en position de freinage. Sécurisez la machine avec des dispositifs approuvés tels que des bandes, des chaînes ou des courroies.
- Les attaches de l'avant et de l'arrière doivent être utilisées et dirigées en étant orientées vers le bas et dans le sens opposé à celui de la machine.

⚠ AVERTISSEMENT : Faites extrêmement attention lorsque vous chargez la machine sur un camion ou une remorque en utilisant des rampes. Il existe un risque de blessure grave, voire mortelle, si la machine tombe de la rampe.

⚠ AVERTISSEMENT : Le frein de stationnement n'est pas suffisant pour bloquer la machine pendant le transport. Assurez-vous que la machine est bien fixée au véhicule de transport. Faites toujours reculer la machine sur le véhicule de transport pour éviter de la faire basculer.

- N'utilisez pas cette machine sur des routes publiques.
- Consultez les règlements locaux concernant la circulation routière et appliquez-les avant de transporter la machine sur des routes.
- Ne remorquez pas cette machine. Cela pourrait causer des dommages au système de transmission.
- Chargez la machine sur un camion ou une remorque en la conduisant à faible vitesse sur une rampe suffisamment robuste. Ne la soulevez pas ! La machine n'est pas conçue pour pouvoir être soulevée manuellement.
- Lorsque vous chargez ou déchargez cette machine, n'utilisez pas plus que l'angle de fonctionnement maximum recommandé de 15 degrés.

REMORQUAGE

- **Ne remorquez pas un chariot dont le poids total en mouvement est supérieur à 113 kg / 250 lb ou dont le poids au timon est supérieur à 22 kg / 50 lb.** Le poids du chariot et les autres spécifications sont inclus dans le mode d'emploi fourni avec votre chariot.
- **N'attachez le chariot remorqué qu'avec le dispositif d'attelage.** Risque de blessures ou de dommages matériels.
- **Ne permettez jamais à des enfants ou à d'autres personnes ne monter sur ou dans un chariot remorqué.** Risque de blessure.
- **Ne remorquez pas sur des pentes de plus de 5 degrés / 9 % d'inclinaison.** Le poids du chariot remorqué peut causer une perte de traction, une perte de contrôle et l'incapacité de s'arrêter en cas de remorquage sur une surface inclinée.
- **Faites toujours particulièrement attention lorsque vous remorquez avec votre tondeuse à rayon de braquage zéro.** Faites des virages à faible inclinaison pour réduire le risque de mise en portefeuille. Faites attention lorsque vous vous mettez en marche arrière.
- **Conduisez à basse vitesse et prévoyez une distance suffisante pour pouvoir vous arrêter.**
- **Ne remorquez pas à proximité de fossés, de canaux et d'autres zones dangereuses.** Il existe un risque de perte de traction ou de contrôle.
- **Suivez tous les avertissements et toutes les instructions fournis par le fabricant du chariot.** Le non-respect de toutes les instructions risquerait de causer des blessures ou des dommages matériels.
- Suivez la recommandation du fabricant concernant les limites de poids pour les équipements remorqués et lorsque vous remorquez sur des pentes.

ENTRETIEN

⚠ AVERTISSEMENT : Les composants du sac à herbe, le couvercle de décharge latérale et le dispositif de broyage amovible sont soumis à une usure et à des dommages qui pourraient exposer les pièces mobiles ou permettre la projection d'objets et augmenter le risque de blessure. Pour des raisons de sécurité, vérifiez fréquemment tous les composants et remplacez immédiatement les composants endommagés par des pièces de rechange identiques, énumérées dans ce mode d'emploi.

- Maintenez la machine en bon état de fonctionnement. Remplacez les pièces usées ou endommagées. Contrôlez périodiquement le moteur et les freins.
- Faites attention lors de l'entretien des lames. Enveloppez la lame ou les lames, ou portez des gants. Remplacez les lames endommagées. Ne réparez pas ou ne modifiez pas la lame ou les lames.
- Arrêtez toujours le moteur et retirez ou déconnectez le bloc-piles avant toute opération d'entretien, de nettoyage ou de retrait de matériaux de la tondeuse à conducteur porté.
- Après avoir heurté un objet étranger, arrêtez le moteur, retirez le bloc-piles, attendez que la lame s'arrête de tourner et inspectez soigneusement la tondeuse à conducteur porté afin de détecter tout dommage. Réparez les dommages avant d'utiliser à nouveau la tondeuse à conducteur porté.
- Faites réparer votre tondeuse à conducteur porté par un réparateur qualifié en n'utilisant que des pièces de rechange identiques. Cela permettra de garantir la sécurité de la tondeuse à conducteur porté.
- Suivez les instructions pour changer les accessoires.
- Veillez à ce que la tondeuse à conducteur porté n'accumule pas de graisse, de saletés et d'autres matériaux potentiellement combustibles
- Ne retirez ou n'altérez jamais les dispositifs de sécurité. Vérifiez régulièrement leur bon fonctionnement. Ne faites jamais rien qui puisse interférer avec le fonctionnement prévu d'un dispositif de sécurité ou réduire la protection fournie par le dispositif de sécurité.
- Maintenez tous les écrous, boulons et vis serrés pour vous assurer que la tondeuse à conducteur porté est en bon état de fonctionnement.
- Ne retirez ou n'altérez jamais les dispositifs de sécurité. Vérifiez régulièrement leur bon fonctionnement. Ne faites jamais rien qui puisse interférer avec le fonctionnement prévu d'un dispositif de sécurité ou réduire la protection fournie par le dispositif de sécurité.
- Entretenez ou remplacez les étiquettes de sécurité et d'instructions suivant les besoins.
- Rechargez uniquement avec le chargeur spécifié par le fabricant. Un chargeur qui convient à un type de bloc-piles peut créer un risque d'incendie quand il est utilisé avec un autre type de bloc-piles.
- Ne chargez pas une tondeuse à conducteur porté sous la pluie ou dans des endroits humides.
- N'utilisez pas une tondeuse à conducteur porté alimentée par des piles sous la pluie.
- Ne lavez pas la tondeuse à conducteur porté avec un tuyau flexible ; évitez de faire pénétrer de l'eau dans le moteur et dans les connexions électriques.
- Rangez la tondeuse à conducteur porté à l'intérieur — Quand elle n'est pas utilisée, la tondeuse à conducteur porté doit être rangée dans un endroit sec et fermé à clé, hors de portée des enfants.
- Arrêtez la tondeuse et retirez-en la clé avant toute opération d'entretien ou de nettoyage, ou avant de retirer des matériaux de la tondeuse à conducteur porté.

CONSERVEZ CES INSTRUCTIONS. Consultez-les fréquemment et utilisez-les pour instruire les autres personnes susceptibles d'utiliser ce produit. Si vous prêtez ce produit à une autre personne, prêtez-lui également ces instructions afin d'éviter toute mauvaise utilisation du produit et d'éventuelles blessures.

INTRODUCTION

Félicitations pour votre sélection d'une tondeuse électrique au lithium-ion à rayon de braquage zéro à conducteur porté EGO de 56 V. Elle a été conçue, produite et fabriquée pour vous fournir le maximum de fiabilité et de performance.

En cas de problème que vous ne parvenez pas à résoudre facilement, veuillez contacter le centre de service à la clientèle d'EGO en appelant le 1-800-346-9876 (800-EGO-ZTRM).

Ce mode d'emploi contient des informations importantes sur l'assemblage, l'utilisation et l'entretien en toute sécurité de votre tondeuse électrique à rayon de braquage zéro. Lisez-le attentivement avant de commencer à utiliser le produit. Gardez ce mode d'emploi à portée de main pour pouvoir vous y référer à tout moment.

SERIAL NUMBER _____	DATE D'ACHAT _____
LES NUMÉROS DE MODÈLE ET DE SÉRIE SONT INDIQUÉS SUR UNE ÉTIQUETTE ATTACHÉE SUR LE CÔTÉ DE LA ZONE DU REPOSE-PIEDS.	
IL EST RECOMMANDÉ D'ENREGISTRER À LA FOIS LE NUMÉRO DE SÉRIE ET LA DATE DE L'ACHAT, ET DE GARDER CES INFORMATIONS EN LIEU SÛR EN VUE DE RÉFÉRENCE FUTURE. CONSERVEZ VOTRE REÇU.	

SPÉCIFICATIONS

Tension	56 V	
Taille du châssis	1 067 mm / 42 po	
Diamètre des roues	Avant	279,4 x 101,6 – 127 mm / 11 x 4 – 5 po
	Arrière	457,2 x 215,9 – 203,2 mm / 18 x 8,5 – 8 po
Pression des pneus à froid	Avant	32 psi (222,1 kPa)
	Arrière	7 psi (48,3 kPa)
Rayon de braquage	0	
Vitesse de la lame ou des lames (tr/min.)	2 400, 2 600, 2 800, 3 000, (3 200 dans le mode Turbo)	
Vitesse de conduite max.	Marche avant	4,8 km/h, 8,1 km/h, 9,7 km/h, 11,3 km/h (12,8 km/h en mode de déplacement rapide) / 3 MPH, 5 MPH, 6 MPH, 7 MPH (8 MPH en mode de déplacement rapide)
	Marche arrière	jusqu'à 5,6 km/h / 3,5 MPH
En charge	Chargeur (facultatif)	CHV1600/CHV1600-FC
	Adaptateur (facultatif)	CHA1000/CHA1000-FC
	Plage de températures de charge	5° C–40° C / 41° F–104° F
Réglage de la hauteur de coupe (10 positions)	38,1 – 114,3 mm / 1,5 – 4,5 po	
Poids maximum pour le remorquage	113 kg/ 250 lb	
Température de fonctionnement	0° C–40° C / 32° F–104° F	
Température de stockage	-20° C–70° C / -4° F–158° F	
Poids (sans le bloc-piles)	185 kg / 408 lb	

ACCESSOIRES RECOMMANDÉS POUR LA TONDEUSE ÉLECTRIQUE À RAYON DE BRAQUAGE ZÉRO

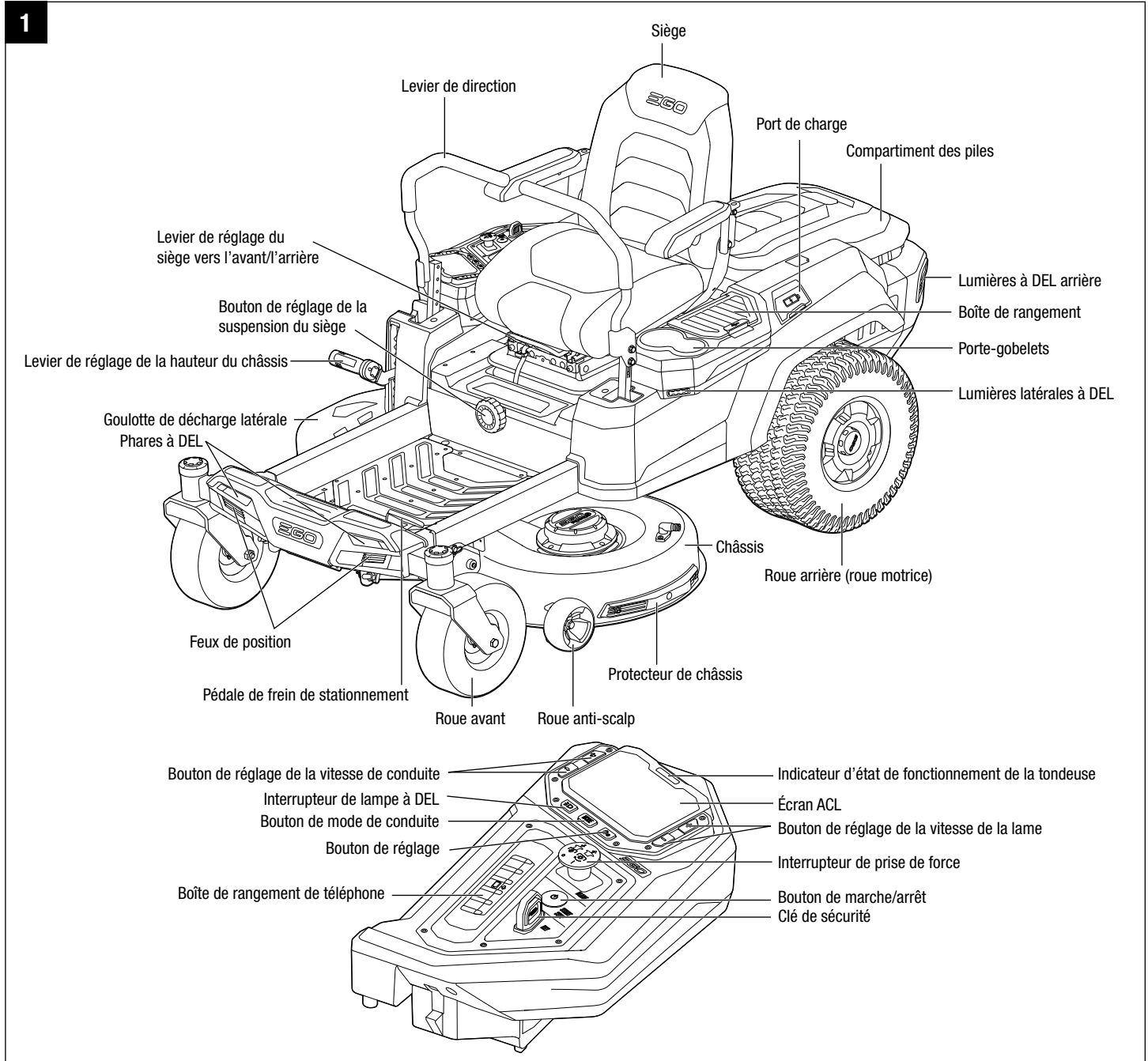
⚠ AVERTISSEMENT : N'utilisez que des pièces de rechange identiques à celles qui sont énumérées ci-dessous. L'utilisation de pièces qui ne répondent pas aux spécifications de l'équipement d'origine peut entraîner des performances incorrectes et compromettre la sécurité.

NOM DE LA PIÈCE	DESCRIPTION
Lame	AB4200D
Fiche de lame déchiqueteuse	AMP4200

DESCRIPTION

CONNAISSEZ VOTRE TONDEUSE ÉLECTRIQUE À RAYON DE BRAQUAGE ZÉRO

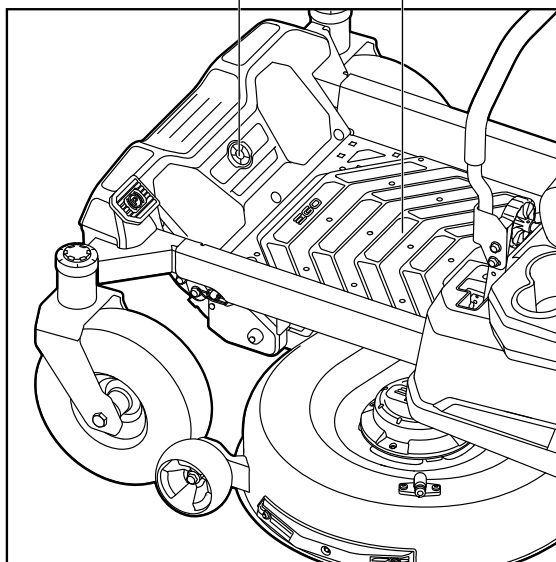
1



2

Jauge de carburant et indicateur d'état de fonctionnement à DEL

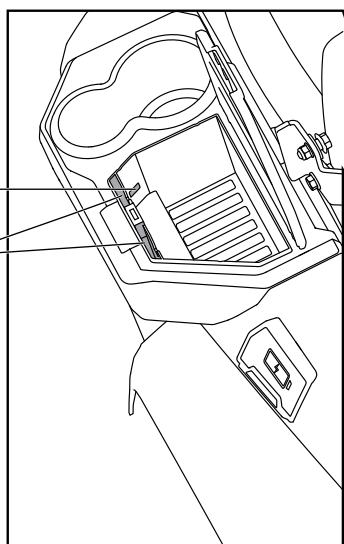
Zone du repose-pieds



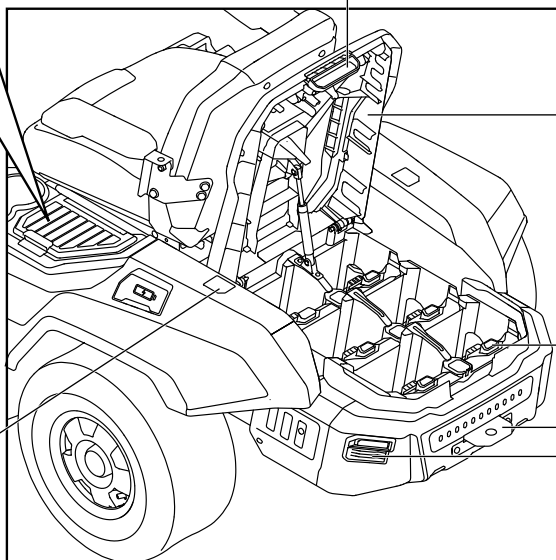
Bouton de relâchement du couvercle du module d'alimentation électrique

Port de charge USB

Rangement du couvercle de montage de l'attelage



Couvercle de montage de l'attelage



Couvercle du module d'alimentation électrique

Bouton de relâchement du bloc-piles

Dispositif d'attelage
Lumières à DEL arrière

⚠ AVERTISSEMENT : L'utilisation sûre de ce produit nécessite une compréhension des informations figurant sur le produit et dans ce mode d'emploi, ainsi qu'une connaissance du projet que vous tentez. Avant de commencer à utiliser ce produit, familiarisez-vous avec toutes les fonctionnalités d'utilisation et toutes les consignes de sécurité.

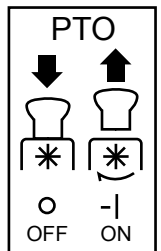
Clé de sécurité

La clé de sécurité doit être insérée avant d'appuyer sur le bouton de marche/arrêt pour faire démarrer la tondeuse.

Bouton de marche/arrêt

Après avoir inséré la clé de sécurité, appuyez sur le bouton de marche/arrêt et maintenez-le enfoncé pendant trois secondes pour faire démarrer la tondeuse.

- L'écran ACL affichera « **Fuel Gauge** » (Jauge de carburant) après un enfoncement bref du bouton.
- L'écran ACL s'éteindra après que le bouton de marche/arrêt aura été enfoncé pendant trois secondes.



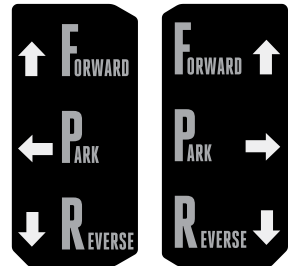
Interrupteur de prise de force

Engage les lames.

AVIS : Il n'est pas recommandé d'engager les moteurs du châssis lorsque le châssis est sous une charge lourde.

Levier de direction

Les leviers de direction de gauche et de droite contrôlent la vitesse / direction de la tondeuse, son arrêt (position neutre) et son frein de stationnement électrique (position ouverte).



Pédale de frein de stationnement

Verrouille la tondeuse dans la position de freinage.

Levier de réglage du siège vers l'avant / vers l'arrière

Utilisez le levier de réglage du siège vers l'avant / vers l'arrière pour faire avancer ou reculer le siège pourvu d'un coussin très épais jusqu'à la position désirée.

Bouton de réglage de la suspension du siège

Utilisez le bouton de réglage de la suspension du siège pour ajuster le confort en fonction du poids de l'opérateur et des irrégularités du terrain.

Levier de réglage de la hauteur du châssis

Le levier de réglage de la hauteur du châssis permet d'élever et d'abaisser le châssis de coupe.

Roue anti-scalp

Empêche le châssis d'entrer en contact avec le sol et de scalper la pelouse lorsqu'il passe au-dessus d'un point surélevé.

Goulotte de décharge latérale

Elle permet à la lame de décharger les tontes de gazon de l'ouverture de décharge latérale. La goulotte de décharge latérale est installée lors de l'expédition de la tondeuse de l'usine.

Dispositif d'attelage

Pour remorquer des chariots ou d'autres attachements sur roues Veuillez consulter le chapitre Remorquage, plus près du début de ce mode d'emploi.

Phares/lumières latérales/lumières arrière à DEL

Fournissent un éclairage pour tondre dans des conditions de faible luminosité et pour permettre à la tondeuse d'être vue.

Interrupteur de lampe à DEL

Contrôle les phares/lumières latérales/lumières arrière.

Boîtes de rangement

- La boîte de rangement de gauche comprend un port de charge USB et deux fentes pour les couvercles de montage des attachements lorsque des attachements sont montés sur la tondeuse.
- La boîte de rangement de téléphone du côté droit est conçue pour permettre un rangement pratique d'un téléphone mobile.

Couvercles de montage des attachements

Ils protègent les sites de montage des attachements lorsque ceux-ci ne sont pas utilisés.

Port de charge

Quand il est utilisé avec un chargeur CHV1600/CHV1600-FC (disponible séparément), il permet de charger directement les piles montées dans le compartiment des piles.

Port de charge USB

Le port de charge USB fournit une puissance de charge de 5 V c.c. permettant un appel de courant combiné de 1,5 A pour votre téléphone portable, un lecteur MP3 ou d'autres dispositifs USB. Consultez le mode d'emploi pour votre dispositif pour connaître ses besoins de charge particuliers.

AVIS :

- Toute tentative de charge de dispositifs dont l'appel de courant combiné dépasse 1,5 A pourrait endommager le port de charge USB et/ou la tondeuse. Fermez toujours le couvercle de la boîte de rangement quand elle n'est pas utilisée afin d'empêcher que des débris ne soient capturés dans le port de charge USB.
- Le port de charge USB n'est alimenté en électricité que lorsque la tondeuse n'est pas dans le mode de charge.

Bouton de mode de conduite





Sélectionnez le mode de conduite **CONTROL**, **STANDARD** ou **SPORT** en appuyant à plusieurs reprises sur le bouton de mode de conduite. Le mode de conduite par défaut est **STANDARD**.

- **CONTROL** : Pour réduire l'accélération, pour assurer une conduite moins sensible et pour tourner à faible vitesse afin de protéger la pelouse ainsi que pour les nouveaux utilisateurs.
- **STANDARD** : Parfait pour l'utilisation au quotidien.
- **SPORT** : Pour une accélération accrue, une conduite précise et des tournants à angle très faible afin de maximiser l'efficacité de la tonte, ainsi que pour les personnes qui tondent avec enthousiasme.

⚠ AVERTISSEMENT : L'opérateur doit se familiariser et acquérir de l'expérience avec la manipulation et le fonctionnement de la tondeuse électrique à rayon de braquage zéro avant de l'utiliser dans le mode de sport.

Bouton de réglage de la vitesse de conduite

Permet à l'opérateur de sélectionner une vitesse de conduite confortable.

- Appuyez sur «» pour augmenter la vitesse de conduite maximum de la tondeuse et sur «» pour réduire la vitesse de conduite maximum de la tondeuse.
- Appuyez sur «» et maintenez-le bouton enfoncé pendant trois secondes ; la tondeuse passera en mode de « **DÉPLACEMENT RAPIDE** », la vitesse de conduite la plus élevée, qui permet un déplacement rapide et le remorquage. Les lames de la tondeuse cesseront alors de couper.
- Lorsque vous êtes dans le mode de « **DÉPLACEMENT RAPIDE** », appuyez sur «» pour retourner à la vitesse antérieure.

AVIS : La vitesse de conduite et le mode de conduite ne peuvent pas être changés pendant la conduite. La fonction ne s'activera que lorsque les roues de la tondeuse seront arrêtées et les leviers de direction seront ouverts.

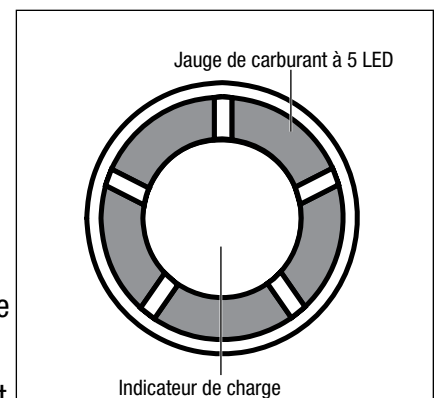
Bouton de réglage de la vitesse des lames

Ce bouton permet à l'utilisateur de personnaliser la vitesse des lames en fonctions de l'état de la pelouse. L'opérateur peut régler la vitesse des lames pendant la coupe de l'herbe. La durée de la tonte sera plus longue lorsque vous tondez à une vitesse faible de fonctionnement des lames.

- Appuyez sur « + » pour accélérer la vitesse des lames et appuyez sur « - » pour réduire la vitesse des lames.
- Appuyez sur « + » et maintenez le bouton enfoncé pendant trois secondes ; la tondeuse passera alors au mode « **TURBO** », la vitesse de fonctionnement de la lame la plus élevée, pour tondre la pelouse sur un terrain accidenté.
- Lorsque vous serez dans le mode « **TURBO** », appuyez sur « - » ; la vitesse de fonctionnement des lames reviendra à la vitesse précédente.

Indicateur de jauge de carburant et indicateur d'état de fonctionnement de la tondeuse à DEL

- L'indicateur de jauge de carburant et l'indicateur d'état de fonctionnement se trouvent à l'avant du repose-pieds. Le cercle de la jauge de carburant à DEL indique le niveau de charge des piles. La zone centrale indique l'état de fonctionnement de la tondeuse.
- L'indicateur d'état de fonctionnement de la tondeuse sur l'écran ACL affichera le même état que la zone centrale de l'indicateur de jauge de carburant et d'état de fonctionnement à DEL.
- Si l'indicateur d'état de fonctionnement est vert, cela signifie que la tondeuse est prête à être conduite. Si l'indicateur d'état de fonctionnement clignote en rouge pendant la conduite, cela signifie que la tondeuse est en état de surchauffe ou de surcharge, ou dans un autre état de fonctionnement indésirable.
- Si l'indicateur d'état de fonctionnement est éteint, cela signifie que la tondeuse n'est pas prête à être conduite par l'opérateur. Veuillez consulter la section de ce mode d'emploi intitulée « **DÉMARRAGE DE LA TONDEUSE ÉLECTRIQUE À RAYON DE BRAQUAGE ZÉRO** » pour faire démarrer la tondeuse de la manière correcte.



- Lorsque la charge disponible des piles est trop faible, la tondeuse passera dans le mode de fonctionnement dégradé. Une alarme sonore retentira, l'indicateur d'état de fonctionnement clignotera en rouge toutes les secondes, le premier indicateur de jauge de carburant à DEL clignotera en rouge et l'indicateur de faible état de charge et le graphique montrant une pile sur l'indicateur de jauge de carburant clignoteront tous les deux. Arrêtez alors de travailler et retournez dès que possible à l'endroit où vous pouvez recharger les piles.

AVIS : Lorsque la tondeuse est dans le mode de fonctionnement dégradé, les lames passent automatiquement à la vitesse de rotation basse sans couper d'herbe, et l'alarme sonore continuera à retentir. L'opérateur doit alors appuyer sur l'interrupteur de prise de force (en poussant vers le bas) pour désengager les lames du châssis. L'alarme sonore cesse de retentir lorsque la lame arrête de fonctionner.

- Lorsque la pile est presque complètement déchargée, seulement la première jauge de carburant à LED clignote en rouge toutes les demi-secondes et l'indicateur de faible charge sur l'écran ACL clignote également.

Mode de fonctionnement dégradé

Lorsque la charge disponible des piles est trop faible, la tondeuse passera dans le mode de fonctionnement dégradé. La distance de déplacement maximum de la tondeuse dans ce mode est d'un kilomètre / 0,6 mile. L'opérateur doit alors arrêter de travailler et retourner dès que possible à l'endroit où il peut recharger les piles.

AVIS: S'il est nécessaire de pousser la tondeuse à la main, il faut s'assurer que les piles sont déconnectées de la tondeuse.

Système de verrouillage de sécurité du démarrage

La tondeuse est munie d'un système de verrouillage de sécurité du démarrage consistant en la clé de sécurité, le bouton de marche/arrêt, l'interrupteur à pédale du frein de stationnement, l'interrupteur du siège et l'interrupteur du port de charge.

Le système de verrouillage de sécurité du démarrage est conçu pour protéger l'opérateur et d'autres personnes contre tout risque de blessure accidentelle pouvant être causée par le démarrage non intentionnel de la tondeuse.

⚠ AVERTISSEMENT : Vérifiez le système de verrouillage de sécurité du démarrage de la tondeuse avant de l'utiliser. Ce système constitue une fonctionnalité de sécurité importante de la tondeuse. Il doit être réparé immédiatement s'il ne fonctionne pas correctement. téléphonez immédiatement au centre de service clientèle d'EGO.

⚠ AVERTISSEMENT : Le système de verrouillage de sécurité du démarrage ne doit pas être déconnecté ou contourné. Ceci pourrait avoir pour effet de faire fonctionner la tondeuse de façon inattendue, ce qui risquerait de causer des blessures.

Bruit produit par l'indicateur (bips)

La tondeuse électrique à rayon de braquage zéro EGO est pourvue d'un indicateur qui produira un bip. Il se déclenchera dans les cas suivants :

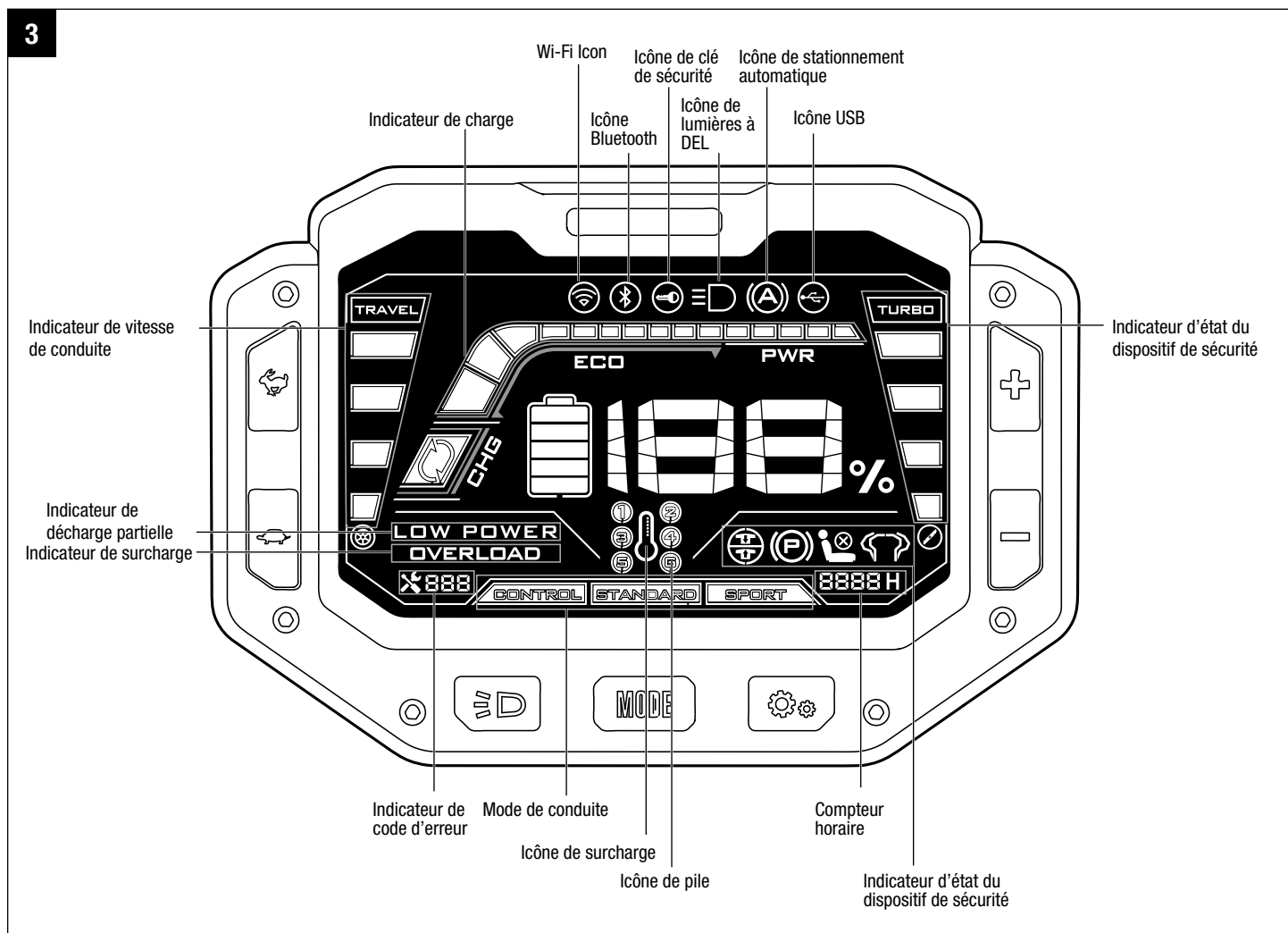
- La tondeuse démarre normalement et l'écran à DEL est illuminé avec toutes les icônes et tous les indicateurs. L'indicateur n'émettra qu'un seul bip.
- La tondeuse est arrêtée normalement. Il n'émettra qu'un seul bip.
- Lorsque la charge disponible des piles est trop faible, la tondeuse passera dans le mode de fonctionnement dégradé. Le bip continuera à retentir. Lorsque l'opérateur appuiera sur l'interrupteur de prise de force (en poussant vers le bas), le bip cessera de retentir.
- Lorsque la tondeuse est en état de surchauffe ou de surcharge, le bip retentira une fois.
- Lorsque le code d'erreur est affiché sur l'écran ACL, le bip retentira une fois.

- Lorsque l'interrupteur de prise de force est tiré à nouveau trois secondes après qu'il a été enfoncé, vous entendrez un bip.
- Si la tondeuse cesse de rouler sur une pente et si l'opérateur ouvre les leviers de direction et quitte le siège sans mettre la pédale de frein de stationnement en position de freinage, les bips retentissent continuellement pour rappeler à l'opérateur de régler le frein de stationnement pour plus de sécurité.

Bouton de réglage

Pour étalonner le système de suivi de la tondeuse (voir la section de ce mode d'emploi intitulée « **ÉTALONNAGE DU SYSTÈME DE SUIVI DE LA TONDEUSE** ») et réinitialisez la tondeuse au réglage d'usine initial (voir la section de ce mode d'emploi intitulée « **RÉINITIALISATION DE LA TONDEUSE AU RÉGLAGE D'USINE INITIAL** »).

SIGNIFICATION DES ICÔNES ET DES VOYANTS/INDICATEURS SUR L'ÉCRAN ACL (Fig. 3)



Icône WIFI

S'illumine lorsque la tondeuse est connectée à un réseau WIFI

Icône Bluetooth

S'illumine lorsque la tondeuse est connectée à un téléphone portable par le biais de Bluetooth.

Icône de clé de sécurité

Lorsque la clé de sécurité est insérée correctement avant de mettre la tondeuse en marche, l'icône de clé de sécurité s'allume ; sinon, cette icône continuera à clignoter à titre d'avertissement pour rappeler à l'opérateur d'insérer la clé de sécurité.

Icône de lumières à DEL

Cette icône s'allume lorsque les phares/lumières latérales et arrières à DEL ont été allumés.

Icône de stationnement automatique

Lorsque la tondeuse cesse d'avancer sur une pente, s'il a ouvert les leviers de direction et s'il a quitté son siège sans avoir réglé la pédale de freinage de stationnement dans la position de freinage, la tondeuse s'arrêtera automatiquement sur la pente en utilisant la puissance des piles. L'icône de stationnement automatique sera illuminée, et pendant ce temps l'indicateur sonore (bips) retentira continuellement.

Réglez la pédale de frein de stationnement dans la position de freinage. L'icône de stationnement automatique sera éteinte et l'indicateur sonore n'émettra plus de bips.

⚠ AVERTISSEMENT : Lorsque les piles sont déchargées, la tondeuse peut toujours glisser le long d'une pente, ce qui pourrait causer son endommagement et risquerait d'entraîner des blessures.

Icône USB

S'allume pour indiquer qu'un périphérique USB peut fonctionner une fois la tondeuse démarrée correctement.

Indicateur de charge

Indique la charge actuelle de la tondeuse. Lorsque la charge est à l'intérieur de la plage ECO, cela signifie que la charge de la tondeuse est dans la plage normale. Lorsque la charge est à l'intérieur de la plage PWR, cela signifie que la charge de la tondeuse est lourde. Lorsque la charge est à l'intérieur de la plage CHG, cela signifie que la tondeuse est dans le mode de recyclage énergétique, comme en train de freiner ou de descendre une pente. Indicates the average charge capacity of the inserted batteries.

Indicateur de décharge partielle

- Lorsque la charge disponible des piles est trop faible, la tondeuse passera dans le mode de fonctionnement dégradé. L'indicateur de décharge partielle clignotera une fois par seconde. L'opérateur doit alors arrêter de travailler et retourner dès que possible à l'endroit où il peut recharger les piles.
- Lorsque la pile est presque complètement déchargée, l'indicateur de décharge partielle clignote toutes les demi-secondes.

Indicateur de code d'erreur

Le système CANbus s'activera pour protéger l'opérateur et la machine s'il détecte un problème. Quand il prend les mesures nécessaires pour arrêter le fonctionnement de la machine ou d'un de ses composants, il indiquera qu'un problème est survenu, et ce code d'erreur sera affiché sur l'écran ACL. Veuillez consulter la section de ce mode d'emploi intitulée « **RÉFÉRENCE RELATIVE AU CODE D'ERREUR ET À L'INDICATEUR D'ÉTAT DE FONCTIONNEMENT** » pour référence.

Indicateur de surcharge

Lorsque la tondeuse est en état de surcharge, l'indicateur de surcharge clignotera une fois par seconde. Pendant ce temps, l'indicateur d'état de fonctionnement et de jauge de carburant à DEL à l'avant de la zone du repose-pieds et l'indicateur d'état de fonctionnement de la tondeuse sur l'écran ACL clignoteront tous les deux en ROUGE une fois par seconde. L'indicateur sonore émettra un bip unique.

Il est recommandé que l'opérateur élève la hauteur de coupe du châssis pour réduire la charge de la tondeuse lorsque l'indicateur de surcharge clignote.

Icône de surcharge

- En cas de surcharge des piles, l'icône de surcharge clignote une fois par seconde et l'icône de pile représentant la pile en état de surcharge clignote également.
- Lorsque la tondeuse est en état de surchauffe, l'icône de surchauffe clignotera une fois par seconde. L'indicateur d'état de fonctionnement et de jauge de carburant à DEL à l'avant de la zone du repose-pieds et l'indicateur d'état de fonctionnement de la tondeuse sur l'écran ACL clignoteront tous les deux en ROUGE une fois par seconde. L'indicateur sonore émettra un bip unique.

Il est recommandé que l'opérateur réduise la charge de la tondeuse en augmentant la hauteur de coupe du châssis ou en ralentissant la vitesse de la lame/de conduite. Attendez que le bloc-piles ou la tondeuse refroidisse.

Icône de pile

- Cette icône s'allume lorsque la pile est insérée dans le compartiment de pile correspondant.
- Lorsque le Ah combiné des batteries insérées est inférieur à 15 Ah, l'icône de batterie de tous les compartiments de batterie vacants clignote pour rappeler à l'opérateur d'insérer plus de batteries dans le compartiment de batterie.

Pour pouvoir faire démarrer cette tondeuse, des piles EGO de 15 Ah au total (2 piles BA4200/BA4200T) ou plus sont nécessaires. Pour obtenir la meilleure performance possible, nous recommandons l'utilisation de piles EGO avec un total de 30 Ah ou plus.

- Lorsque la charge disponible des piles est trop faible, la tondeuse passera dans le mode de fonctionnement dégradé. Le graphique des piles sur la jauge de carburant et les icônes de piles correspondant à toutes les piles insérées correctement sur l'écran ACL clignotent pour rappeler à l'opérateur de retourner dans la zone de charge dès que possible. Lorsque la tondeuse est dans le mode de fonctionnement dégradé, Les lames passeront alors automatiquement dans le mode de vitesse de rotation lente sans couper d'herbe.
- Lorsque les piles sont presque complètement déchargées, les icônes de piles de toutes les piles insérées correctement clignotent.

Compteur horaire


Montre le temps de conduite total de la tondeuse, en heures. Utilisez le compteur horaire pour déterminer quand la tondeuse a atteint les intervalles d'entretien recommandés


Le compteur horaire ne peut pas être réinitialisé.

Indicateur d'état du dispositif de sécurité

“” Clignote pour demander à l'opérateur de réinitialiser l'interrupteur de prise de force.

“” S'allume lorsque le frein de stationnement est activé.

“” S'allume lorsque l'opérateur a quitté le siège.

“” Clignote pour demander à l'opérateur de remettre les leviers de direction dans la position ouverte et / ou desserrer le frein de stationnement.

ASSEMBLAGE

⚠ AVERTISSEMENT : Pour empêcher tout démarrage accidentel qui pourrait causer une blessure grave, retirez toujours le(s) bloc(s)-piles du produit lorsque vous effectuez le montage de pièces, un nettoyage ou une opération d'entretien.

⚠ AVERTISSEMENT : Si certaines pièces sont endommagées ou manquantes, n'utilisez pas cet outil avant que ces pièces aient été remplacées. L'utilisation de cet outil avec des pièces endommagées ou manquantes pourrait causer des blessures graves.

⚠ AVERTISSEMENT : Ne tentez pas de modifier cette tondeuse ou de créer des accessoires qu'il n'est pas recommandé d'utiliser avec ce produit. Une telle altération ou modification constituerait une utilisation abusive et pourrait créer une situation dangereuse entraînant un risque de blessures graves.

DÉBALLAGE

⚠ AVERTISSEMENT : Pour réduire le risque de blessure ou d'endommagement de la tondeuse, n'utilisez pas un couteau pour couper les bandes en nylon. Utilisez des ciseaux ou des pinces à tranchant latéral.

⚠ AVERTISSEMENT : Pour réduire le risque de dommage, retirez votre montre et tous autres objets fragiles et de valeur de vos poignets. Il existe un risque de contact avec des éléments du cadre en acier.

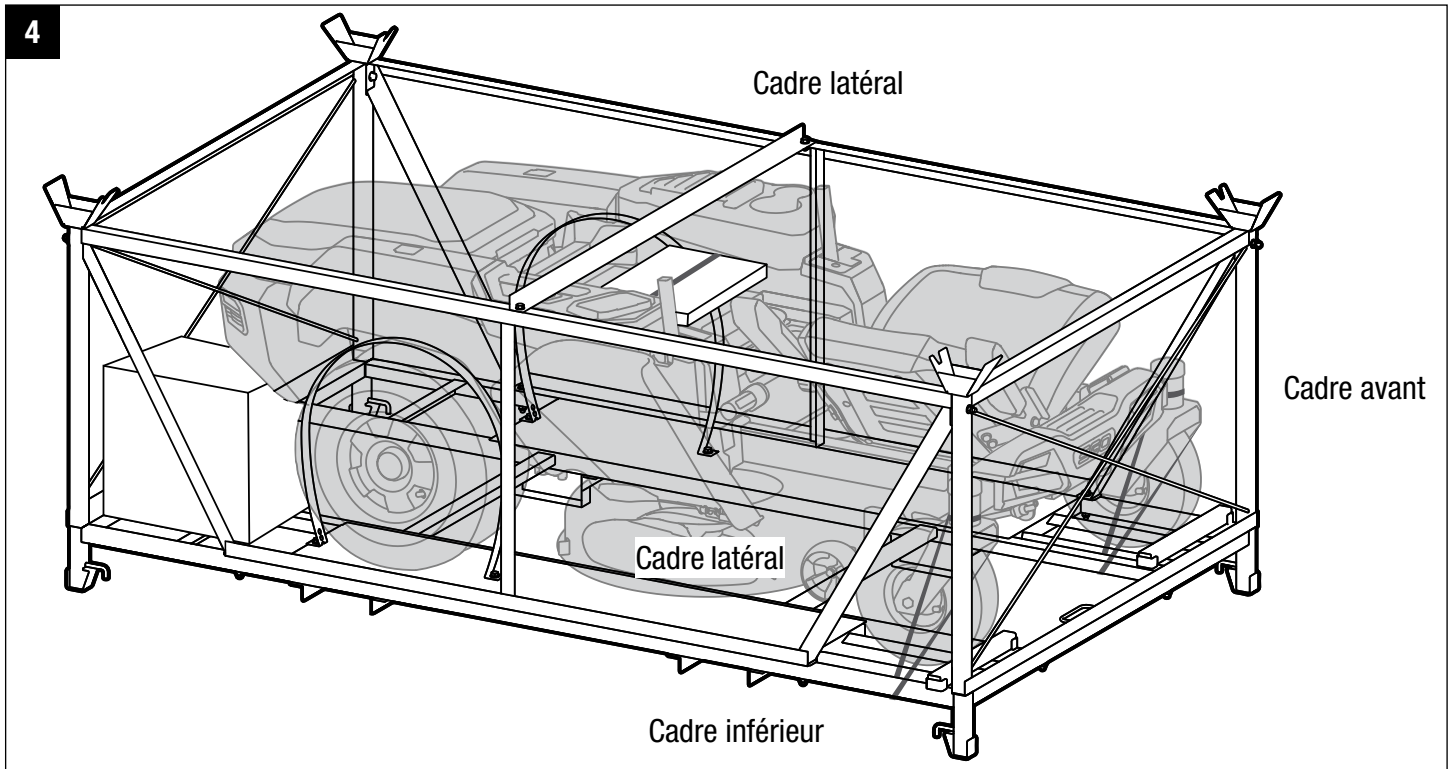
Outils recommandés pour le déballage (non inclus) :

- Ciseaux ou pinces à tranchant latéral.
- Clé à chocs avec douille de 13 mm.

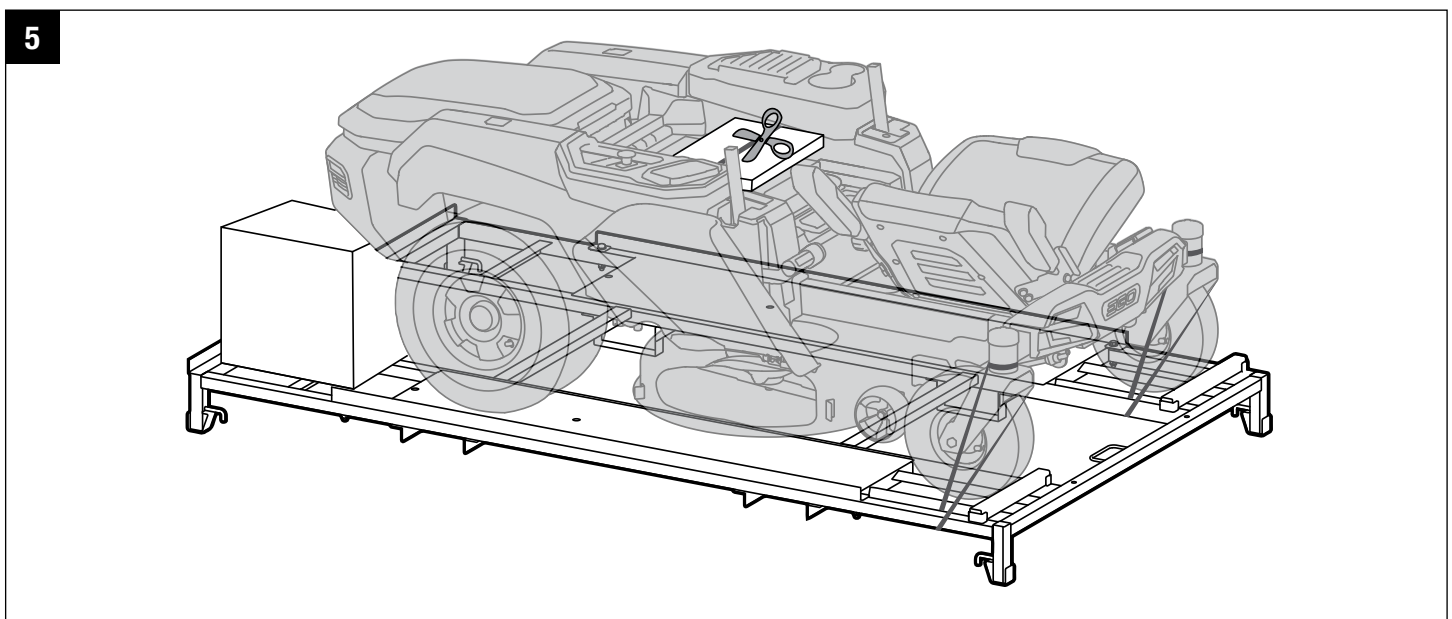
La tondeuse électrique à rayon de braquage zéro EGO est expédiée dans un cadre en acier, le siège et les leviers de directions étant conditionnés séparément à l'intérieur du cadre en acier. L'opérateur doit commencer par retirer la tondeuse du cadre en acier, puis il doit monter le siège et les leviers de direction sur la tondeuse en suivant la procédure ci-dessous :

1. Retirez le couvercle en plastique de la tondeuse.
2. Retirez la boîte à accessoires, qui est située dans la zone centrale du siège de la tondeuse et retirez les deux clés à fourche qui se trouvent à l'intérieur.
3. Utilisez les deux clés à fourche fournies pour desserrer tous les boulons qui fixent le cadre supérieur, les cadres latéraux, le cadre avant, le cadre arrière et les deux roues arrière de la tondeuse du cadre inférieur (Fig. 4). Retirez et conservez les cadres démontés dans une zone sûre, en évitant de faire trébucher des passants. Consultez votre autorité locale de gestion des déchets pour obtenir des informations sur les options de recyclage et/ou d'élimination de l'acier disponibles pour les cadres.

REMARQUE : Pour simplifier et accélérer le processus, utilisez une clé à chocs avec une douille de 13 mm.

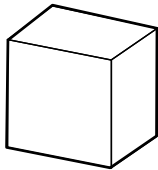
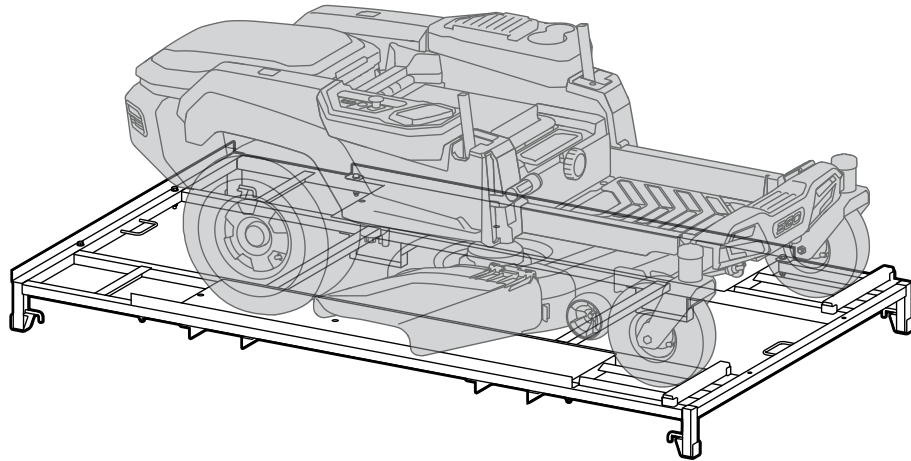


4. Coupez les bandes de fixation en nylon sécurisant les boîtes des piles/chargeurs, le siège, les leviers de direction, les roues avant de la tondeuse et la goulotte de décharge latérale (Fig. 5).

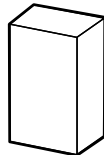


5. Retirez d'abord l'ensemble de siège et les deux leviers de direction de la tondeuse, puis retirez les boîtes des piles/chargeurs du cadre du bas si elles sont incluses avec la tondeuse (Fig. 6).

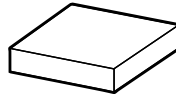
6



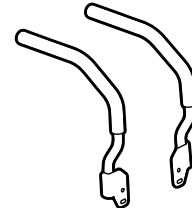
Batterie



Chargeur



Accessories

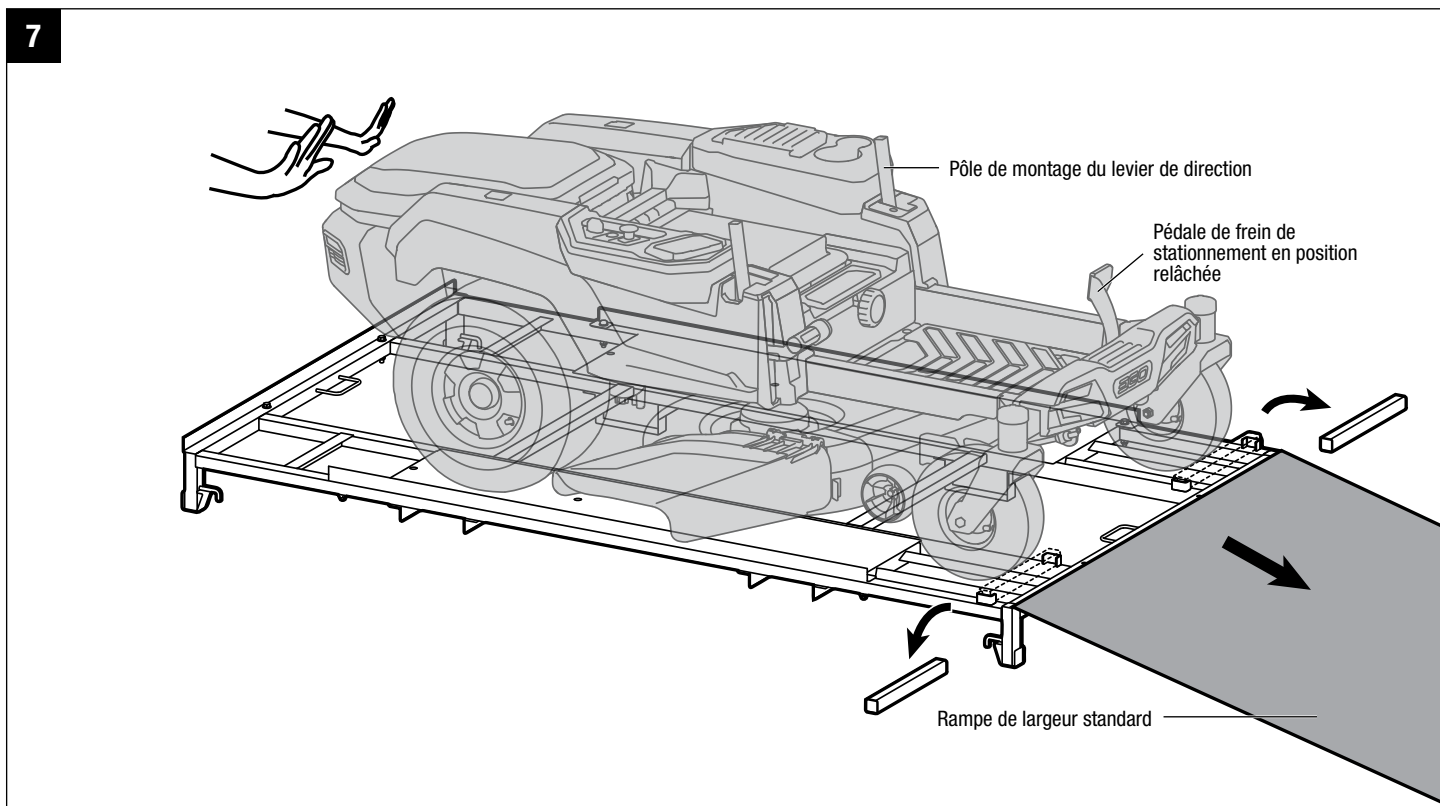


6. Retirez tous les matériaux d'emballage et de conditionnement accessibles, et mettez-les de côté. Ne jetez pas les matériaux d'emballage avant d'avoir inspecté attentivement le produit et de l'avoir mis en marche de façon satisfaisante.
7. Si une rampe d'accès de largeur standard est disponible, positionnez-la contre le cadre inférieur, près de la roue avant (Fig. 7). Ne dépassez pas l'angle de fonctionnement maximum recommandé, qui est de 15°.
8. Relâchez la pédale de frein de stationnement de la position de freinage. Référez-vous à la section de ce mode d'emploi intitulée « **RÉGLAGE DU FREIN DE STATIONNEMENT** ».

REMARQUE : Un effort substantiel est nécessaire pour relâcher la pédale du frein de stationnement à la main. Poussez fort.

9. Deux personnes sont nécessaires : saisissez en même temps le pôle de montage du levier de direction et la partie arrière de la tondeuse des deux côtés et poussez lentement la tondeuse pour la faire sortir du cadre en acier dans le sens avant (Fig. 7).

⚠ MISE EN GARDE : Objet lourd. Il ne doit être poussé que par plusieurs personnes. Au moins deux personnes sont nécessaires pour pousser cette tondeuse afin de la faire sortir du cadre en acier.



AVIS : PUSSEZ LA TONDEUSE VERS L'AVANT. Si vous tirez la tondeuse vers l'arrière par rapport au cadre en acier, celle-ci sera attrapée dans le cadre inférieur, ce qui pourrait endommager le châssis de coupe de la tondeuse. **Retirez toujours la tondeuse du cadre en allant vers l'avant.**

⚠ AVERTISSEMENT : N'utilisez pas ce produit si de quelconques pièces figurant sur la liste des pièces sont déjà montées sur votre produit lorsque vous le sortez de son emballage. Les pièces figurant sur cette liste ne sont pas montées sur le produit par le fabricant. Elles nécessitent une installation par le client. L'utilisation d'un produit pouvant avoir été assemblé de façon incorrecte pourrait causer des blessures graves.

- Inspectez attentivement le produit pour vous assurer qu'aucun dommage ou bris de pièce(s) ne s'est produit pendant la transport.
- Si de quelconques pièces sont endommagées ou manquantes, veuillez contacter le service après-vente d'EGO.

LISTE DES PIÈCES

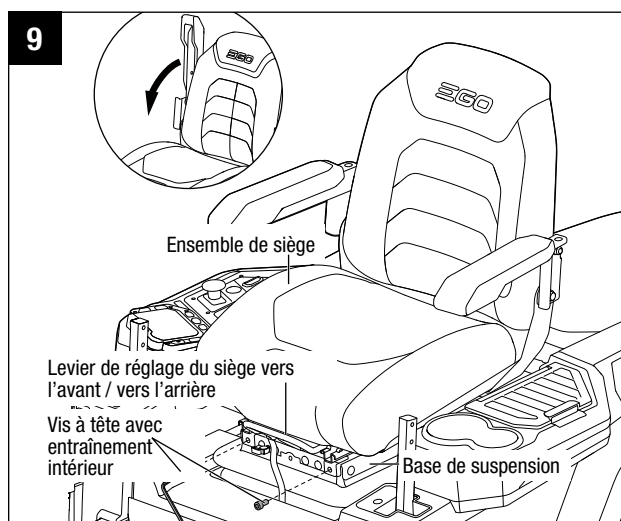
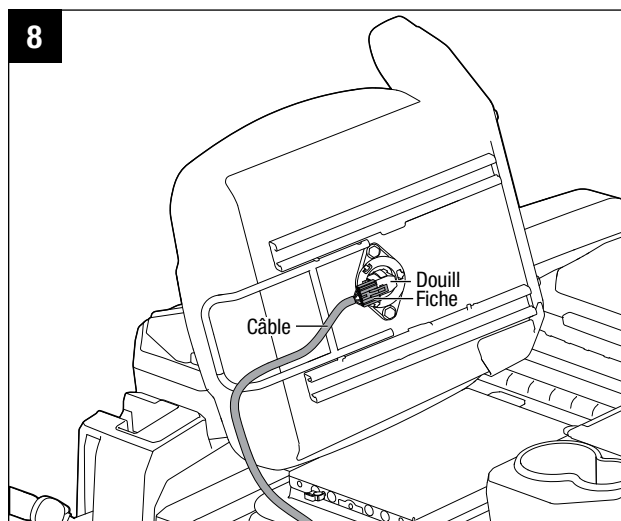
NOM DE LA PIÈCE		FIGURE	QUANTITÉ
Tondeuse électrique à rayon de braquage zéro			1
Ensemble de siège	Siège		1
	Vis à tête avec entraînement intérieur		4+2 (Sauvegarde)
	Clé Allen (6mm)		1
Ensemble de leviers de direction	Levier de direction		2
	Boulons à six pans		4+2 (Sauvegarde)
	Clé à fourche (13mm)		2
Clés			2
Coupleur rapide du port de lavage			1
Mode d'emploi			1

INSTALLATION DU SIÈGE

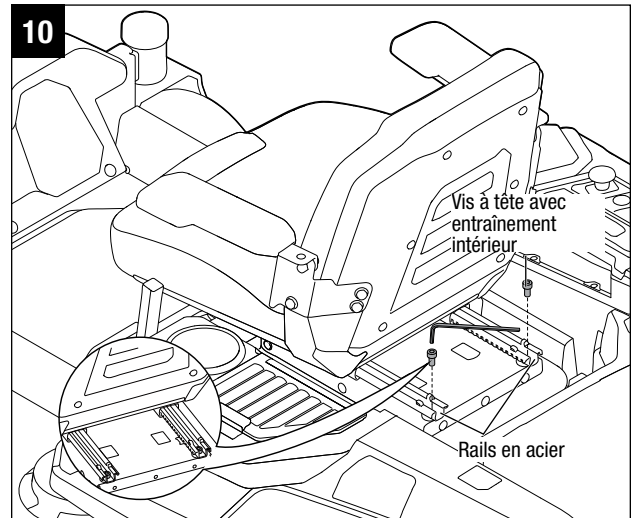
La tondeuse incorpore un interrupteur de siège séparé qui arrête les moteurs d'entraînement et les moteurs de châssis quand l'opérateur a quitté son siège pour quelque raison que ce soit pendant que la tondeuse est en marche. Il s'agit d'une fonctionnalité de sécurité qui a été conçue pour empêcher un déplacement de la tondeuse sans conducteur ou un enchevêtrement accidentel de celle-ci.

⚠ AVERTISSEMENT : Le système de verrouillage de sécurité du démarrage ne doit pas être déconnecté ou contourné. Ceci pourrait avoir pour effet de faire fonctionner la tondeuse de façon inattendue, ce qui risquerait de causer des blessures.

1. Retirez les quatre vis à tête avec entraînement intérieur de la boîte à accessoires et mettez-les de côté.
2. Posez l'ensemble de siège sur le côté et insérez la fiche du câble dans la douille à l'arrière du siège (Fig. 8). Ceci connecte le système de verrouillage de sécurité.
3. Faites tourner les deux repose-bras pour les mettre dans la position horizontale. Placez le siège juste à côté de l'avant de la base de suspension. Alignez les deux trous de montage dans le siège sur les trous de la base de suspension, et utilisez la clé Allen fournie pour les verrouiller ensemble avec les deux vis à tête avec entraînement intérieur fournies (Fig. 9).



4. Soulevez légèrement le levier de réglage avant-arrière du siège et tirez le siège vers l'avant pour exposer les deux trous de montage arrière des rails en acier du siège. Utilisez la clé Allen fournie pour bien serrer les rails en acier sur la base de la suspension avec les deux vis à tête avec entraînement intérieur restantes (Fig. 10).

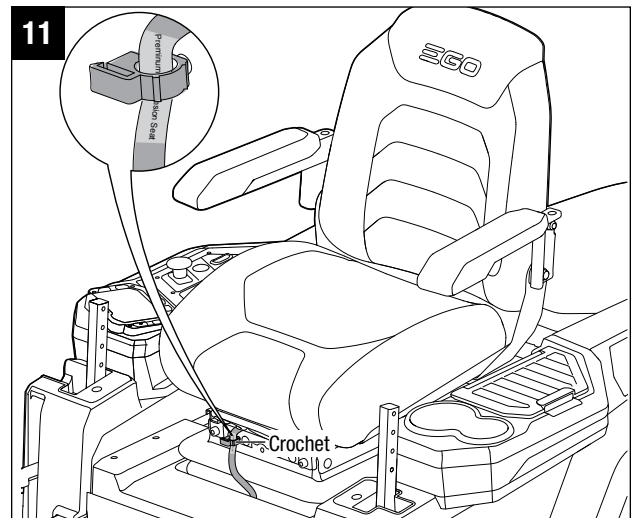


⚠ AVERTISSEMENT : Lorsque vous avez fini de serrer les deux vis arrière, veuillez vérifier qu'il n'y a pas d'espace entre la partie avant des rails en acier et la base de suspension.

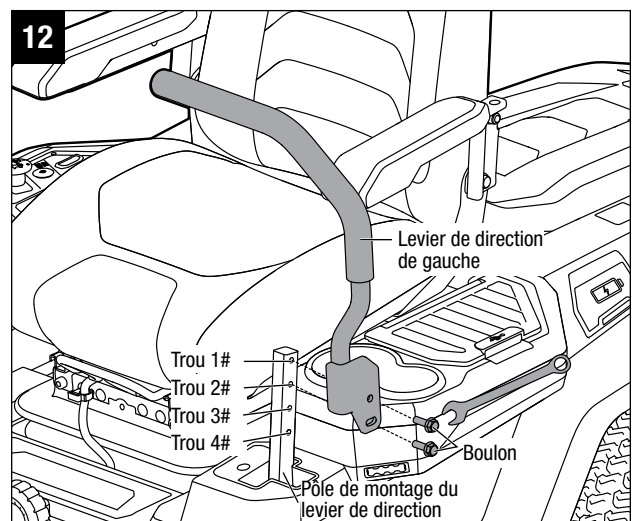
5. Placez le câble flexible sur le crochet dans la position indiquée par l'étiquette de positionnement du câble (Fig. 11).

INSTALLATION DES LEVIERS DE DIRECTION

1. Retirez les quatre vis à six pans de la boîte à accessoires et mettez-les de côté.
2. Soulevez un levier de direction pour aligner les trous dans le levier de direction sur les trous du pôle de montage correspondant. Sélectionnez la hauteur de fonctionnement du levier de direction que vous préférez, puis utilisez la clé à fourche pour sécuriser le levier de direction au moyen des deux boulons à six pans fournis, comme indiqué ci-dessous (Fig. 12)
 - Trous 1 & 2 : trous de fixation du haut pour le levier de direction
 - Trous 2 & 3 : trous de fixation du milieu pour le levier de direction
 - Trous 3 & 4 : trous de fixation du bas pour le levier de direction
3. Assemblez l'autre levier de direction et serrez avec les deux autres boulons à six pans de la même manière.

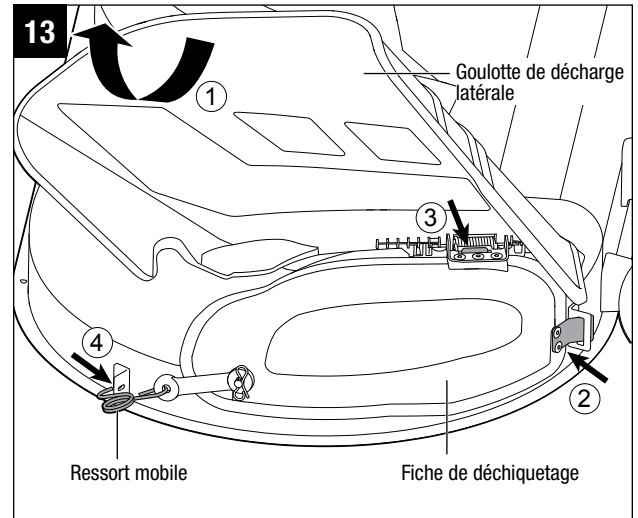


AVIS : Les leviers de direction de gauche et de droite doivent être ajustés de façon à ce qu'ils s'alignent l'un sur l'autre quand ils sont dans la position neutre. **N'INSTALLEZ JAMAIS** les leviers de direction à des hauteurs de fonctionnement asymétriques.



POUR ATTACHER LA FICHE DE DÉCHIQUETAGE (vendue séparément)

1. Si vous avez besoin d'utiliser la tondeuse pour faire du déchiquetage, soulevez d'abord la goulotte de décharge latérale, puis accrochez la fiche de déchiquetage sur l'ouverture du plateau aux points 2, 3 et 4 comme indiqué à la Fig. 13. Assurez-vous que tous les crochets sont solidement sécurisés à leur place et qu'ils empêchent tout mouvement de la fiche de déchiquetage. Laissez la goulotte de décharge latérale en position ouverte.
2. Pour retirer la fiche de déchiquetage, séparez le ressort mobile de la fiche de déchiquetage du crochet sur le plateau en premier, puis retirez-la de l'ouverture du plateau. Abaissez lentement la goulotte de décharge latérale jusqu'à ce qu'elle revienne fermement à sa place contre le plateau.



FONCTIONNEMENT

⚠ AVERTISSEMENT : Ne laissez pas l'habitude de l'utilisation de ce produit vous empêcher de prendre toutes les précautions requises. N'oubliez jamais qu'une fraction de seconde d'inattention suffit pour entraîner de graves blessures.

⚠ AVERTISSEMENT : N'utilisez pas d'attachements ou d'accessoires qui ne sont pas recommandés par le fabricant de ce produit. L'utilisation d'attachements ou d'accessoires qui ne sont pas recommandés peut causer des blessures graves.

APPLICATION

Vous pouvez utiliser ce produit pour faire ce qui suit :

- tondre votre gazon.

PRÉPARATION FINALE

VÉRIFIEZ LA PRESSION DES PNEUS.

Vérifiez la pression de l'air dans tous les pneus avant de commencer à utiliser la tondeuse. Une pression d'air inappropriée affectera la manipulation, la réponse aux problèmes de direction, la traction, la durée de vie des pneus, l'uniformité de la coupe et le confort de l'opérateur. Assurez-vous que les pneus sont gonflés à la pression indiquée ci-dessous.

AVIS : La pression des pneus ne doit être mesurée ou ajustée que quand les pneus sont froids.

Pression recommandée	Roue avant	Roue arrière
	32 psi (222,1 kPa)	7 psi (48,3 kPa)

⚠ AVERTISSEMENT : Vérifiez attentivement la pression des pneus pendant que vous les gonflez. La présence de trop d'air dans le pneu risquerait de faire éclater le pneu, ce qui pourrait causer des blessures graves.

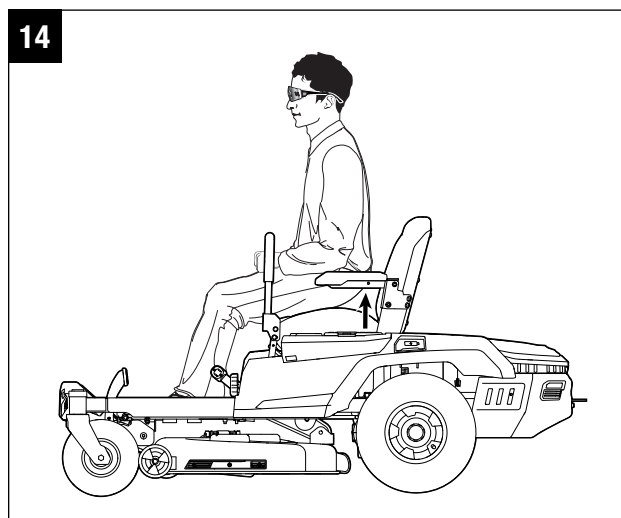
VÉRIFIEZ L'ÉTAT DE LA TONDEUSE

Inspectez l'intégralité du produit pour vous assurer qu'il n'y a pas de pièces endommagées, manquantes ou desserrées comme des vis, des écrous, des boulons, des capuchons, etc. Serrez à fond tous les dispositifs de fixation et capuchons, et ne vous servez pas de ce produit avant que de telles pièces manquantes ou endommagées aient été remplacées.

TESTEZ LE SYSTÈME DE VERROUILLAGE DE SÉCURITÉ (Fig. 14)

La tondeuse comprend un interrupteur de siège séparé qui arrête les moteurs d'entraînement et les moteurs de la plateforme lorsque l'opérateur quitte son siège pour quelque raison que ce soit pendant le fonctionnement de la tondeuse. Il s'agit d'une fonction de sécurité conçue pour empêcher un emballement ou un enchevêtrement accidentel. Testez le système pour vous assurer qu'il fonctionne correctement.

1. Positionnez la tondeuse sur une surface plane.
2. L'opérateur doit être assis sur le siège pour pouvoir tester l'interrupteur de siège.
3. Relâchez la pédale de frein de stationnement.



4. Insérez la clé de sécurité dans la tondeuse, puis appuyez sur le bouton de marche/arrêt et maintenez-le enfoncé pendant trois secondes pour allumer l'écran ACL.
5. Tirez sur l'interrupteur de prise de force (vers le haut) pour engager les moteurs des lames.
6. Levez-vous lentement du siège, mais ne descendez pas de la tondeuse. Le système d'activation des lames de la plateforme devrait alors cesser de fonctionner.
7. Si le système d'activation des lames de la plateforme ne s'arrête pas de fonctionner lorsque l'opérateur se lève du siège et si la cause du problème ne peut pas être déterminée après avoir confirmé que la connexion de la fiche et de la prise dans le siège est bien raccordée, contactez immédiatement le centre de service clientèle d'EGO.
8. Appuyez sur l'interrupteur de prise de force (vers le bas) pour désengager les moteurs des lames et ajustez les leviers de direction de la position de freinage de stationnement électrique à la position neutre.
9. Ajustez les leviers de direction vers l'avant ou vers l'arrière pour entraîner la tondeuse ; référez-vous à la section de ce mode d'emploi intitulée « **CONDUITE DE LA TONDEUSE** ».
10. Levez-vous lentement du siège. Le système d'entraînement devrait cesser de fonctionner.
11. Si le système de conduite ne s'arrête pas de fonctionner lorsque l'opérateur se lève du siège et si la cause du problème ne peut pas être déterminée après avoir confirmé que la connexion de la fiche et de la prise dans le siège est bien raccordée, contactez immédiatement le centre de service clientèle d'EGO.

⚠ AVERTISSEMENT : N'UTILISEZ PAS la tondeuse tant que le système de verrouillage de sécurité n'a pas été réparé par un technicien compétent en matière de réparations.

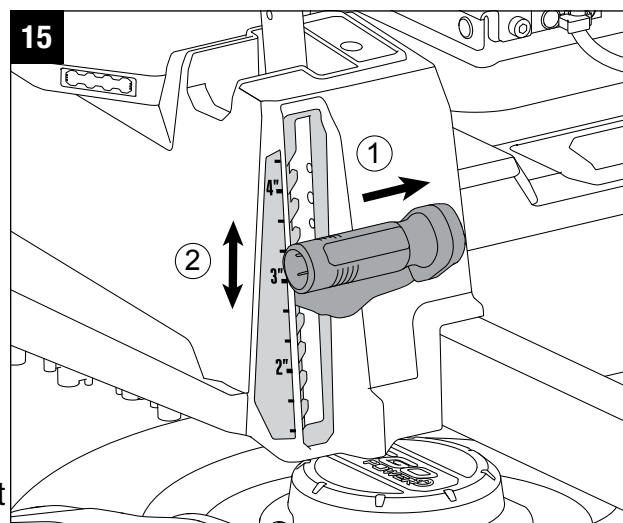
RÉGLAGE DE LA TONDEUSE

RÉGLAGE DE LA HAUTEUR DU CHÂSSIS DE COUPE (Fig. 15)

AVIS : Le châssis de la tondeuse électrique à rayon de braquage zéro EGO est réglé sur la hauteur de coupe la plus haute possible au moment de l'expédition. Avant d'utiliser la tondeuse, l'opérateur doit ajuster la hauteur du châssis à la position de coupe la plus appropriée pour sa pelouse.

AVIS : Pour éviter de scalper la pelouse lorsque vous rencontrez des points élevés, les deux roues anti-scalp peuvent être réglées lorsque la tondeuse est à la hauteur de coupe souhaitée. En fonction de la hauteur de coupe souhaitée, vous devrez peut-être modifier la position des roues anti-scalp. Veuillez vous reporter à la section de ce mode d'emploi intitulée « **RÉGLAGE DES ROUES ANTI-SCALP** ».

1. Assurez-vous que les piles ont été retirées de la tondeuse avant d'effectuer de quelconques réglages.
2. Pour abaisser la hauteur de coupe, saisissez le levier de réglage de la hauteur du châssis et déplacez-le vers l'intérieur afin de le désengager de la fente. Déplacez-le vers le bas et engagez-le dans la fente quand il sera arrivé à la hauteur de coupe désirée.
3. Pour élever la hauteur de coupe, saisissez le levier de réglage de la hauteur du châssis et déplacez-le vers l'intérieur afin de le désengager de la fente. Déplacez-le vers le haut et engagez-le dans la fente quand il sera arrivé à la hauteur de coupe désirée.



AVIS : Avant de commencer à tondre, le châssis doit être réglé à une hauteur suffisante pour éviter les souches d'arbres, les rochers et les autres obstacles qui pourraient endommager le châssis de la tondeuse.

⚠ DANGER : Ne tentez jamais de réaliser des réglages du châssis de la tondeuse pendant que la tondeuse est en mode de conduite ou pendant que la lame de coupe est engagée. Les lames de la tondeuse sont dissimulées et sont situées très près du capot du châssis. Elles pourraient couper instantanément des doigts et des orteils.

⚠ AVERTISSEMENT : Tenez fermement le levier de réglage de la hauteur du châssis lorsque vous réglez la hauteur du châssis, et ne le relâchez que quand il est engagement de façon sécurisée dans la fente désirée. Un relâchement brusque du levier pourrait produire un risque de pincement ou d'attraction de la main de l'opérateur.

RÉGLAGE DU SIÈGE (Fig. 16)

⚠ AVERTISSEMENT : Assurez-vous que le siège est attaché de façon sécurisée à la tondeuse au moyen des vis à tête avec entraînement intérieur avant de commencer à utiliser la tondeuse. Un siège qui n'est pas sécurisé peut faire perdre le contrôle de la tondeuse par l'opérateur, ce qui pourrait causer une blessure grave ou même tuer quelqu'un.

Régalez la position du siège pour assurer que vous êtes en mesure d'établir un contact ferme avec la pédale de freinage avant de commencer à utiliser la tondeuse.

Le siège peut être ajusté vers l'avant ou vers l'arrière en soulevant le levier de réglage du siège vers l'avant ou vers l'arrière qui se trouve au-dessous du siège.



Déplacement du siège

1. Activez le frein de stationnement.
2. Asseyez-vous sur le siège; soulevez le levier de réglage du siège vers l'avant ou vers l'arrière et continuez à le tenir, puis déplacez le siège vers l'avant ou vers l'arrière jusqu'à la position désirée.
3. Relâchez le levier de réglage du siège vers l'avant ou vers l'arrière et assurez-vous que le siège est verrouillé en place.

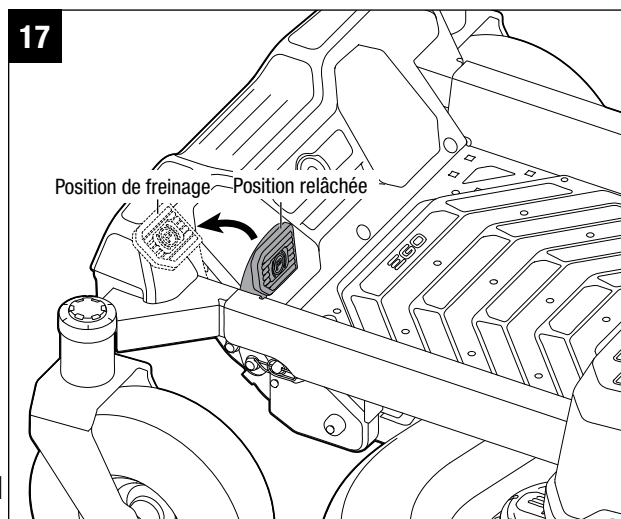
Le confort du siège peut également être réglé au moyen du bouton de réglage de la suspension du siège sur le dessous du siège. Desserrez ou serrez le bouton de réglage tel qu'indiqué pour atteindre la suspension la plus confortable.

RÉGLAGE DU FREIN DE STATIONNEMENT (Fig. 17)

La pédale de frein de stationnement est utilisée pour verrouiller la tondeuse dans la position de freinage. Pour faire démarrer la tondeuse, il faut la relâcher de la position de freinage.

Réglage du frein de stationnement :

1. Remplacez les leviers de direction dans la position neutre et ouvrez-les vers l'extérieur pour les mettre dans la position de freinage-stationnement (position ouverte).
2. Utilisez votre pied gauche pour appuyer à fond sur la pédale de frein de stationnement et la maintenir enfoncée jusqu'à ce qu'elle cesse de rebondir.
3. Relâchez la pédale de frein de stationnement. Retirez votre pied de la pédale de frein de stationnement.



Pour relâcher le frein de stationnement, appuyez une nouvelle fois sur la pédale de frein de stationnement; la pédale rebondira jusqu'à la position relâchée.

⚠ AVERTISSEMENT : Ne laissez jamais la tondeuse sans surveillance pendant les pauses sans avoir vérifié que le frein de stationnement est activé et que la clé de sécurité a été retirée. Si vous n'activez pas le frein de stationnement, la tondeuse risquerait de bouger, et si vous laissez la clé de sécurité en place vous risqueriez de permettre une utilisation non autorisée qui pourrait causer des blessures graves.

ATTACHEMENT / DÉTACHEMENT DU BLOC-PILES

CHARGEZ LE BLOC-PILES AVANT SA PREMIÈRE UTILISATION.

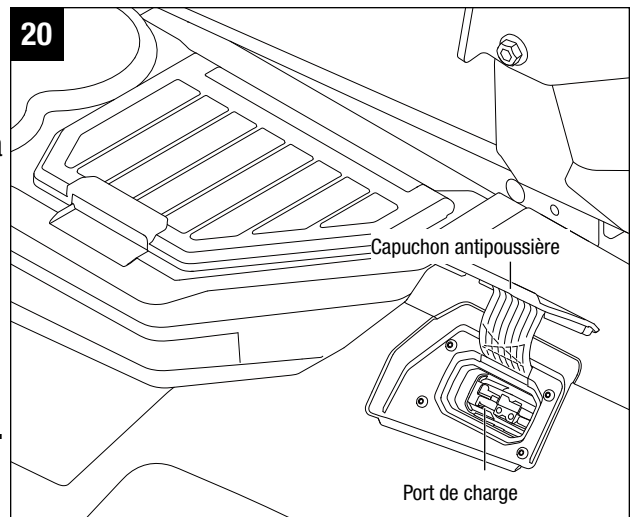
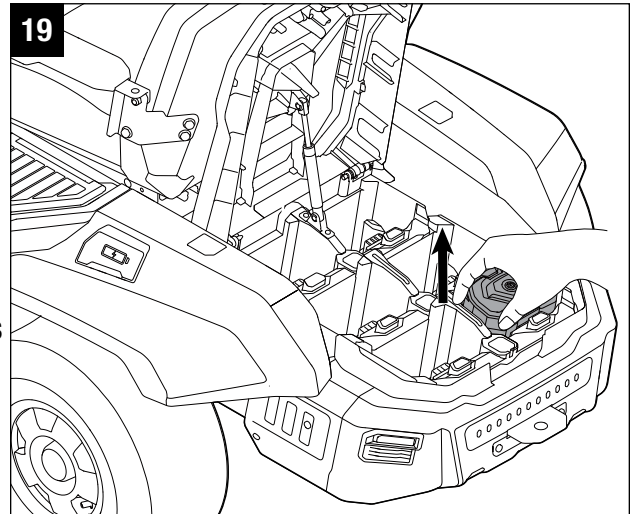
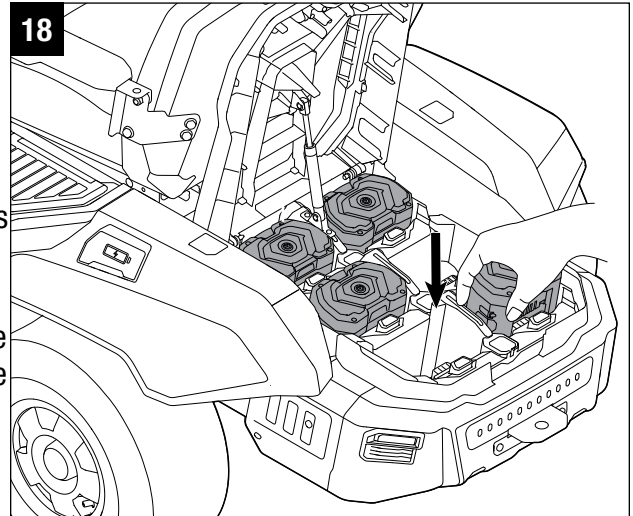
AVIS : Pour pouvoir faire démarrer cette tondeuse, des piles EGO de 15 Ah au total (2 piles BA4200/BA4200T) ou plus sont nécessaires ; pour obtenir la meilleure performance possible, nous recommandons d'utiliser des piles EGO de 30 Ah ou plus au total.

Quand ils ne sont pas utilisés, les blocs-piles EGO de 56 V doivent être rangés dans un endroit fermé où la température ne descendra pas au-dessous de -20°C / -4°C . Les températures de charge optimales sont comprises entre 5°C et 40°C / 41°F et 104°F .

⚠ AVERTISSEMENT : Si de quelconques pièces sont cassées ou manquantes, ne tentez pas d'attacher les blocs-piles à la tondeuse ou de faire fonctionner la tondeuse avant que les pièces cassées ou manquantes aient été remplacées. Si vous ne respectez pas cette consigne, vous risqueriez de causer des blessures graves.

1. Le couvercle du module d'alimentation électrique se verrouille avec le bouton de relâchement en position fermée. Pour l'ouvrir, servez-vous de vos doigts pour saisir le bouton de relâchement du couvercle du module d'alimentation électrique et appuyez légèrement dessus pour soulever le couvercle du module d'alimentation électrique.
2. Le couvercle du module d'alimentation électrique s'ouvrira lentement, mais automatiquement, avec l'aide de la barre à ressort.
3. La tondeuse électrique à rayon de braquage zéro EGO est pourvue de six compartiments pour les piles permettant de recevoir jusqu'à six blocs-piles en même temps.
4. Alignez les rainures dans le bloc-piles sur les nervures du compartiment des piles, puis insérez le bloc-piles dans le compartiment.

5. Enfoncez le bloc-piles jusqu'à ce que vous entendiez un déclic. Le bouton d'éjection des piles s'allongera à nouveau une fois que le bloc-piles aura été attaché de façon sécurisée.
6. Attachez les autres blocs-piles dans les autres compartiments des piles de la même manière (Fig. 18).
7. **Pour retirer le bloc-piles**, appuyez sur le bouton d'éjection des piles pour relâcher le bloc-piles, puis tirez dessus pour le faire sortir du compartiment (Fig. 19).
8. Ne fermez le couvercle du module d'alimentation électrique que quand vous aurez entendu clairement un déclic indiquant que le bouton de relâchement du couvercle du module d'alimentation électrique est engagé.



CHARGE DE LA TONDEUSE ÉLECTRIQUE À RAYON DE BRAQUAGE ZÉRO

Lorsque la charge des piles devient faible, la tondeuse passe dans le mode de fonctionnement dégradé et ne permet à l'opérateur que de la conduire pendant au maximum un kilomètre / 0,6 mile pour permettre de retourner dans la zone de recharge des piles. Les lames passeront alors automatiquement dans le mode de vitesse de rotation lente sans couper d'herbe afin de conserver la charge restante dans les piles.

⚠ AVERTISSEMENT : Ne tentez pas de traverser des routes ou des voies ferrées lorsque le niveau de charge est bas.

Il existe deux façons de recharger la tondeuse :

- Retirez les piles de la tondeuse et chargez les piles séparément en utilisant un chargeur standard ou des chargeurs rapides EGO. Veuillez suivre les instructions du mode d'emploi pour le chargeur standard ou les chargeurs rapides EGO.
- Un chargeur de piles EGO CHV1600/CHV1600-FC est disponible pour charger directement la tondeuse électrique à rayon de braquage zéro EGO pendant que les piles sont installées dans la tondeuse.

AVIS : Il existe également des modes d'emploi individuels pour les piles et les chargeurs EGO. Conservez les instructions – Les modes d'emploi contiennent des consignes de sécurité et des instructions d'utilisation importantes pour les piles et les chargeurs.

NE TENÉZ PAS de charger les piles ou la tondeuse avec un chargeur qui n'a pas été conçu en vue d'emploi avec ce produit.

Charge des piles par le port de charge

Le port de charge des piles est situé dans le boîtier gauche de la tondeuse, à côté de la boîte de rangement (Fig. 20). Pour charger les piles,

- Arrêtez la tondeuse et retirez la clé de sécurité ; assurez-vous que la tondeuse s'arrête complètement.

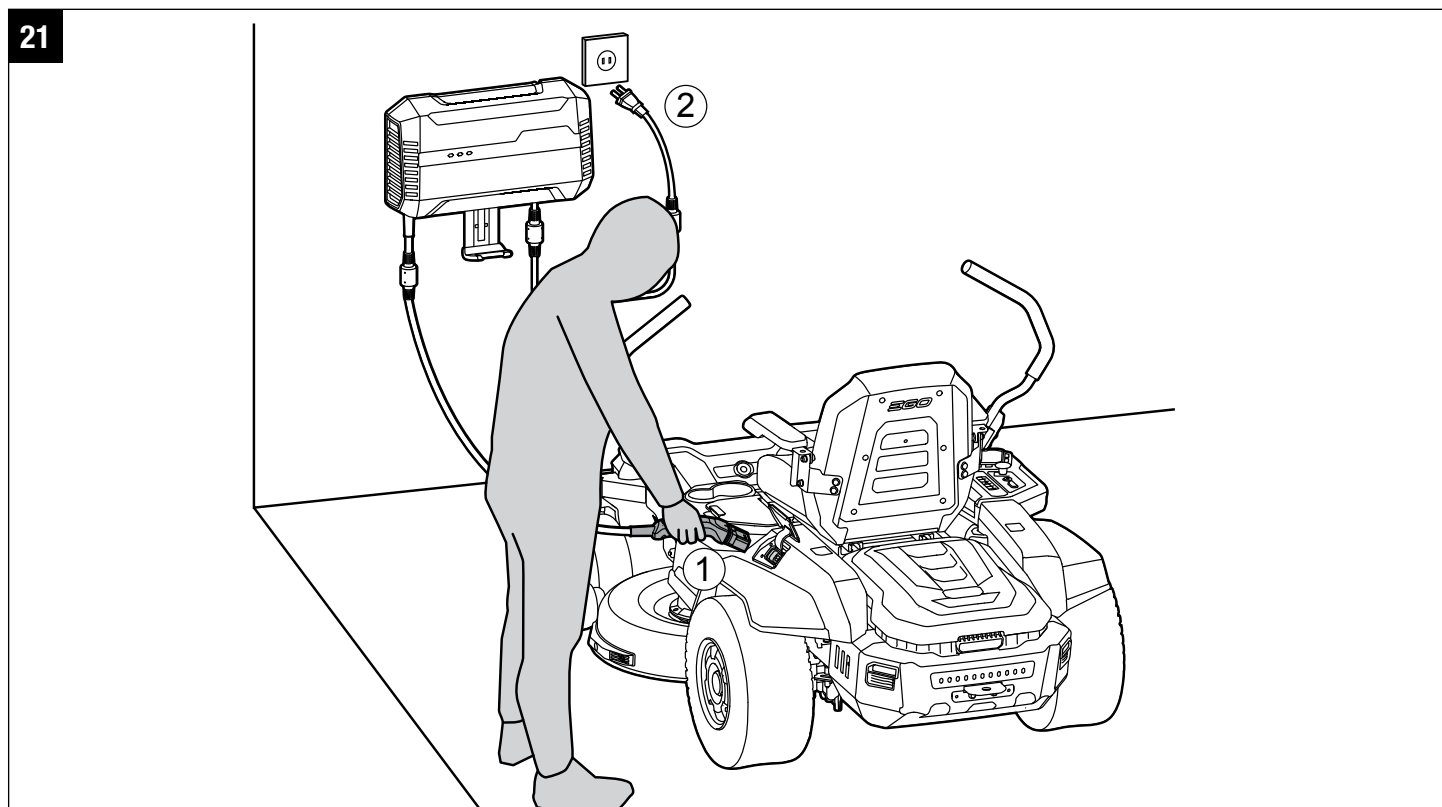
- Soulevez le capuchon antipoussière du port de charge des piles sur la tondeuse et connectez la fiche du chargeur CHV1600/CHV1600-FC dans le port (Fig. 21).

AVIS : La fiche ne tiendra que d'une seule façon dans le port. Assurez-vous qu'elle est alignée correctement avant de l'insérer.

- Branchez l'autre extrémité du chargeur dans une prise de courant murale ordinaire de 120 V (Fig. 21).
- Le chargeur commencera alors à charger les piles. Une fois que les piles auront été complètement rechargées, comme cela sera indiqué sur l'écran ACL, débranchez la fiche du chargeur de la prise murale et débranchez la fiche du chargeur du port.
- Couvrez le port du chargeur avec le capuchon antipoussière, puis recommencez à utiliser la tondeuse. Veuillez vous référer au mode d'emploi du chargeur pour obtenir des instructions détaillées. Lisez toutes les consignes de sécurité et toutes les instructions, et assurez-vous que vous les comprenez. La non-observation des consignes de sécurité et des instructions pourrait causer un choc électrique, un incendie et/ou des blessures graves.

⚠ AVERTISSEMENT : Ne fumez pas pendant que vous chargez la tondeuse avec les piles installées.

⚠ AVERTISSEMENT : La tondeuse doit être chargée dans un endroit couvert, à l'abri de la pluie, ou à l'intérieur d'un bâtiment.



AVIS :

- Les piles au lithium-ion EGO ne développent pas de mémoire et n'ont pas besoin d'être complètement déchargées avant d'être rechargées.

- Chargez complètement le bloc-piles au lithium-ion tous les six mois quand il n'est pas utilisé afin d'assurer la plus longue durée de vie possible des piles.
- Lors de la charge, assurez-vous que les orifices d'entrée et de sortie du ventilateur de refroidissement du chargeur ne sont pas bloqués.

AVANT DE DÉMARRER LA TONDEUSE

- Assurez-vous qu'il n'y a pas d'enfants, d'autres personnes ou d'animaux domestiques dans la zone de travail.
- Déblayez la zone de travail de tous les objets pouvant être projetés par les lames de la tondeuse.
- Nettoyez les débris de la tondeuse.
- Assurez-vous que toutes les attaches sont bien sécurisées.
- Vérifiez pour vous assurer que tous les dispositifs de protection sont en place et fonctionnent correctement.
- Vérifiez la pression des pneus.
- Vérifiez le fonctionnement des pneus.
- Testez le système de verrouillage de sécurité.
- Ajustez la hauteur du châssis à la position de coupe désirée en fonction de la pelouse.
- Réglez le siège dans la position désirée.
- Vérifiez le niveau de charge des piles.

DÉMARRAGE DE LA TONDEUSE ÉLECTRIQUE À RAYON DE BRAQUAGE ZÉRO

L'utilisation d'une tondeuse à rayon de braquage zéro est différente de l'utilisation d'une tondeuse à conducteur porté standard. Les tondeuses à braquage zéro sont à traction arrière et les roues fonctionnent indépendamment selon la position des leviers de direction. Avant de commencer à tondre votre gazon, nous vous encourageons fortement à trouver un grand espace plat et ouvert pour vous entraîner à utiliser la tondeuse en suivant les instructions qui suivent. Une fois que vous pourrez effectuer chacune de ces manœuvres de manière confortable et fiable, vous serez prêt à commencer la tonte.

⚠ AVERTISSEMENT : Dégagez la zone des personnes présentes avant d'utiliser la tondeuse. Si quelqu'un pénètre dans la zone de tonte, arrêtez-vous immédiatement et ne continuez pas à tondre jusqu'à ce que les passants quittent la zone.

⚠ AVERTISSEMENT : Évitez les démarrages, arrêts et virages brusques, ainsi que la vitesse excessive, en particulier lors de la première utilisation de la tondeuse. La tondeuse peut tourner rapidement, ce qui peut vous faire perdre le contrôle et entraîner la mort, des blessures graves et / ou des dommages à la tondeuse. Appuyez sur le bouton de réglage de la vitesse de conduite à la vitesse la plus basse (reportez-vous au Bouton de réglage de la vitesse de conduite dans ce mode d'emploi) pour limiter la quantité de vitesse disponible jusqu'à ce que vous soyez pleinement capable d'utiliser la tondeuse dans toutes les situations.

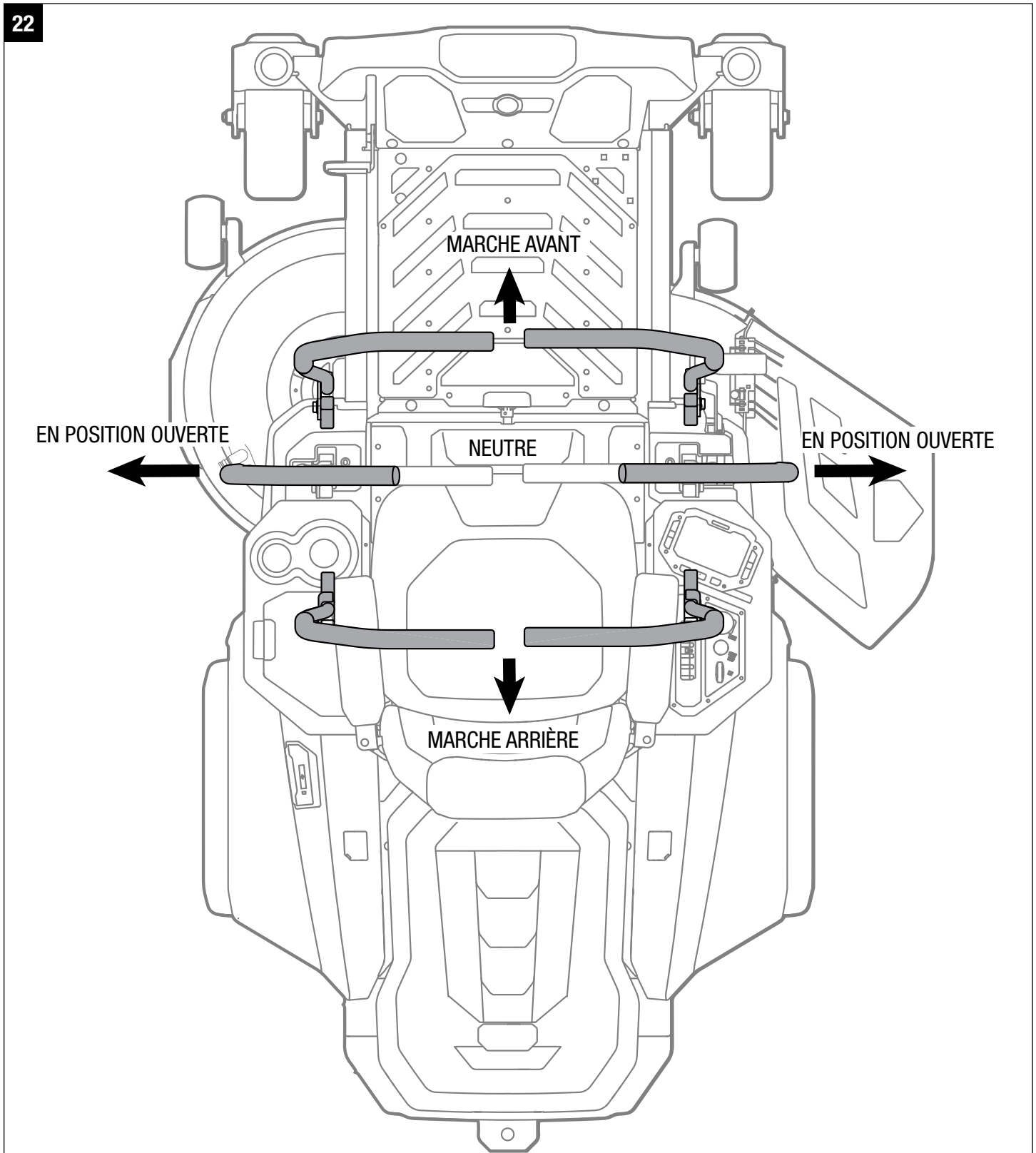
1. Insérez la clé de sécurité.
2. Après avoir inséré la clé de sécurité dans la tondeuse, appuyez sur le bouton de marche/arrêt et maintenez-le enfoncé pendant trois secondes pour allumer l'écran ACL.
3. Vérifiez que vous êtes dans le mode de conduite approprié en appuyant sur le bouton de mode de conduite.

AVIS : Il est toujours recommandé de faire démarrer la tondeuse à la vitesse de conduite la plus basse possible.

4. Relâchez la pédale du frein de stationnement de la position de freinage et déplacez les deux leviers de direction vers l'intérieur pour les faire passer de la position ouverte à la position neutre. Vous êtes maintenant prêt à manœuvrer les leviers de direction pour conduire la tondeuse.
5. Tirez sur l'interrupteur de prise de force pour activer les lames de coupe.
6. Poussez les leviers de direction vers l'avant pour produire un mouvement vers l'avant ou tirez-les vers l'arrière pour passer en marche arrière. 22).

AVIS : Le frein de stationnement électrique s'engagera et restera engagé jusqu'à ce que les leviers de direction soient remis en position ouverte. Lorsque les leviers de direction sont remis en position neutre, la tondeuse s'arrête simplement sans freinage électrique (Fig. 22).

AVIS : Lorsque vous faites démarrer la tondeuse sur une pente, lorsque les leviers de direction sont poussés vers l'avant, la tondeuse restera immobile sur la pente sans glisser le long de la pente. Une fois que les leviers de direction auront été poussés suffisamment vers l'avant, la tondeuse pourra avancer normalement. Ceci est une fonctionnalité d'assistance pour la conduite sur une pente de la tondeuse électrique à rayon de braquage zéro d'EGO.



ARRÊT DE LA TONDEUSE ÉLECTRIQUE À RAYON DE BRAQUAGE ZÉRO

⚠ DANGER: N'effectuez jamais d'arrêts ou de changements de direction soudains, en particulier lorsque vous manœuvrez sur une pente. Les leviers de direction sont conçus pour une réponse sensible. Un changement rapide de la position des leviers de direction dans un sens quelconque pourrait produire une réaction de la tondeuse qui risquerait de causer des blessures graves.

1. Remettez les leviers de direction dans la position neutre.
2. Poussez l'interrupteur de prise de force vers le bas pour désengager les lames de coupe des moteurs de châssis / de la tondeuse.
3. Ouvrez les leviers de direction en les tirant vers l'extérieur dans la position de freinage de stationnement.
4. Mettez la pédale de frein de stationnement dans la position de freinage.
5. Appuyez sur le bouton de marche/arrêt et maintenez-le enfoncé pendant plus de trois secondes pour arrêter la tondeuse.

AVIS: Au bout de trois minutes sans fonctionnement, la tondeuse se mettra automatiquement hors tension.

6. Retirez la clé de sécurité de la tondeuse et gardez-la en lieu sûr.

⚠ AVERTISSEMENT : N'arrêtez pas la tondeuse sur une pente. Arrêtez toujours la tondeuse sur une surface plane et de niveau, et ne la laissez jamais sans surveillance avec la clé de sécurité insérée, même juste pendant une brève période. Le fait de laisser la clé pourrait permettre une utilisation non autorisée qui risquerait de causer des blessures graves.

⚠ AVERTISSEMENT : Lorsque la tondeuse cesse de rouler sur une pente et lorsque l'opérateur est hors du siège sans mettre la pédale de frein de stationnement en position de freinage, l'indicateur sonore retentit continuellement pour rappeler à l'opérateur de régler le frein de stationnement afin que la tondeuse s'arrête en toute sécurité sur la pente. Placez toujours la pédale de frein de stationnement en position de freinage lorsque vous quittez le siège. Sinon, **lorsque la pile est déchargée, la tondeuse glissera sur la pente, ce qui pourrait l'endommager gravement ou causer des blessures !**

CONDUITE DE LA TONDEUSE ÉLECTRIQUE À RAYON DE BRAQUAGE ZÉRO (Fig. 23)

Après avoir mis la tondeuse en marche engagez les leviers de direction de la façon suivante :

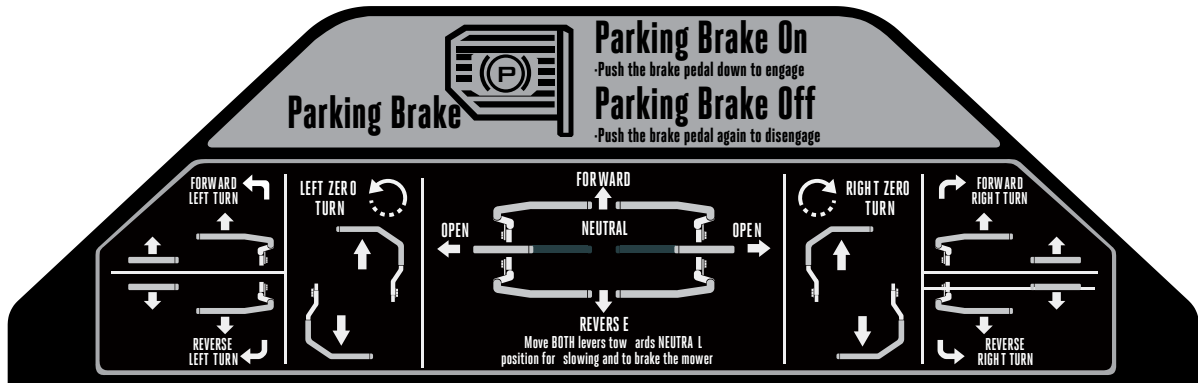
- **Pour aller en avant**, poussez les leviers de direction vers l'avant à une distance égale.
- **Pour faire marche arrière**, tirez les leviers de direction vers l'arrière à une distance égale.
- **Pour tourner à gauche**, déplacez le levier de direction de droite plus loin de la position neutre que le levier de direction de gauche.
- **Pour tourner à droite**, déplacez le levier de direction de gauche plus loin de la position neutre que le levier de direction de droite.
- **Pour tourner avec un rayon de braquage zéro**, commencez par ralentir, puis déplacez un levier de direction vers l'avant et l'autre levier de direction vers l'arrière en position neutre. Ceci rend possible une contre-rotation des roues motrices (arrière).

AVIS: Un mouvement rapide des leviers de direction n'est pas recommandé parce qu'il pourrait causer un endommagement des composants électriques de la tondeuse.

AVIS: Un virage agressif peut également endommager ou érafler la pelouse. Effectuez les virages à rayon de braquage zéro à faible vitesse de conduite. Maintenez toujours les deux roues en rotation lorsque vous faites un virage à angle aigu. **Ne tournez pas alors que la roue intérieure est complètement arrêtée.** Pour un virage avec un rayon minimum, mettez lentement la roue intérieure en marche arrière tout en faisant avancer la roue extérieure lentement vers l'avant.

- **Pour arrêter ou pour réduire la vitesse,** mettez les leviers de direction en position neutre. Lorsque vous allez vers l'avant, tirez doucement les leviers de direction vers l'arrière. Lorsque vous allez en marche arrière, poussez doucement les leviers de direction vers l'avant.

23



LE DEVANT DE LA TONDEUSE EST ORIENTÉ DANS CE SENS.

- Pour augmenter la vitesse, augmentez la distance du levier de direction par rapport au neutre. Plus les leviers de direction sont engagés vers l'avant par rapport à la position neutre, plus la tondeuse avancera rapidement vers l'avant. Plus les leviers de direction sont engagés vers l'arrière par rapport à la position neutre, plus la tondeuse avancera rapidement en marche arrière.

⚠ DANGER: Restez à au moins deux largeurs de tonte (2 m / 7 pi) des fossés, dénivelés importants ou cours d'eau. Les roues avant peuvent tourner lorsque la tondeuse est arrêtée, même avec le frein activé, et faire avancer la tondeuse par dessus le bord ou la faire tomber dans l'eau, ce qui pourrait causer une blessure grave, voire la mort.

⚠ AVERTISSEMENT : Regardez ce qui se trouve derrière la tondeuse avant de faire marche arrière. **NE TONDEZ PAS** en marche arrière, sauf si cela est absolument nécessaire. Regardez toujours en dessous de la tondeuse et derrière elle avant de faire marche arrière et pendant que vous faites marche arrière pour vous assurer qu'il n'y a pas d'enfants, d'autres personnes ou d'animaux domestiques dans la zone de tonte. N'oubliez jamais qu'une fraction de seconde d'inattention suffit pour entraîner de graves blessures, voire la mort.

⚠ AVERTISSEMENT : Vérifiez que vous avez fixé correctement votre sens de conduite désiré avec les leviers de direction avant d'appuyer sur la pédale de frein de stationnement. Sinon, vous risqueriez de conduire la tondeuse dans un sens non prévu, ce qui pourrait causer une perte de contrôle et un accident.

⚠ AVERTISSEMENT : Faites attention lorsque vous traversez des chemins couverts de gravier ou des voies d'accès à des garages. Avant de traverser, désengagez les lames et élevez le châssis de coupe pour le mettre dans la position la plus élevée possible afin de minimiser le risque de ricochet. Conduisez lentement pour ne pas risquer de perte de contrôle ou de traction.

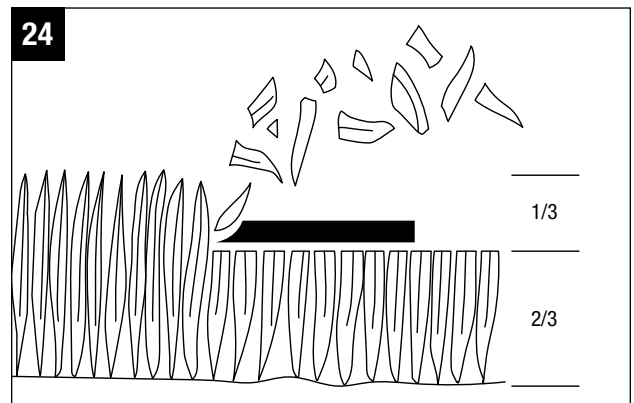
CONSEILS POUR LA TONTE

AVIS: Une lame bien affûtée améliore considérablement la performance de la tondeuse, en particulier lorsque vous coupez des herbes hautes. Vérifiez systématiquement que la lame est bien affûtée avant de commencer à tondre.

- Vérifiez qu'il n'y a pas de grosses pierres, de bâtons, de fils de fer ou d'autres objets qui risqueraient d'endommager les lames de coupe ou le moteur de la tondeuse. De tels objets risqueraient d'être projetés accidentellement par la tondeuse dans une direction imprévisible et causer des blessures graves à l'opérateur ou à d'autres personnes.

⚠ AVERTISSEMENT : Si vous heurtez un corps étranger, arrêtez les moteurs et retirez les piles. Inspectez attentivement la tondeuse pour voir si elle a subi un dommage, et réparez-la avant de la remettre en marche et de l'utiliser. Des vibrations excessives de la tondeuse pendant son fonctionnement sont une indication de dommages. La tondeuse doit alors être inspectée et réparée dans les meilleurs délais.

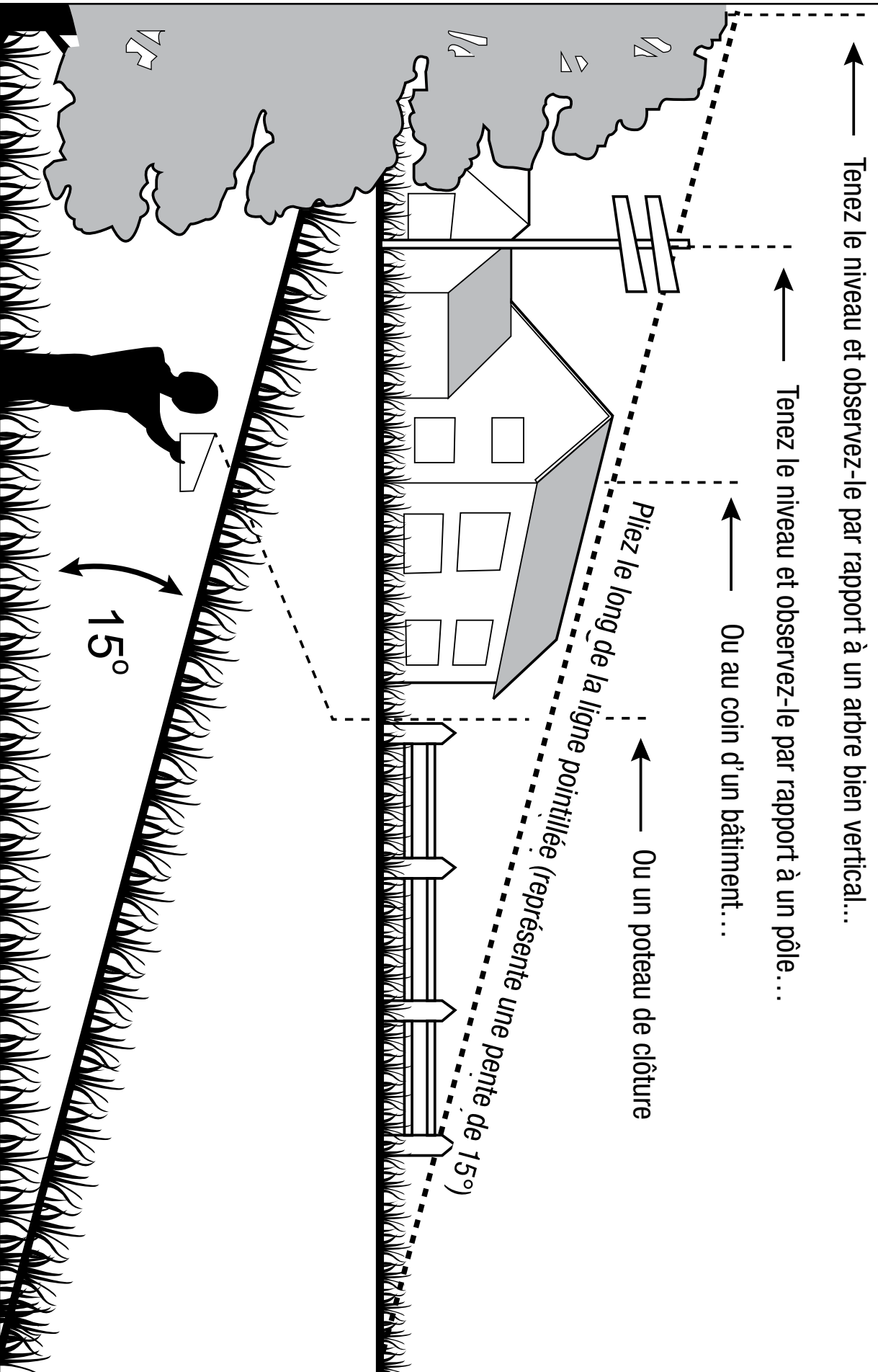
- La performance de tonte sera optimale avec une vitesse de fonctionnement des lames de coupe élevées et une faible vitesse de conduite. Si l'herbe n'est pas trop longue ou dense, la vitesse de conduite peut être accrue sans affecter négativement le résultat de la tonte.
- Lorsque vous coupez de l'herbe lourde, réduisez la vitesse de conduite pour assurer une coupe plus efficace et une décharge appropriée de l'herbe coupée.
- Commencez par une hauteur de coupe élevée et réduisez-la jusqu'à ce que le résultat de la tonte désirée ait été atteint. L'herbe de plus de 15 cm / 6 po de haut doit être tondu deux fois, la deuxième fois à une hauteur de coupe inférieure.
- Pour maintenir une pelouse en bon état, coupez seulement un tiers ou moins de la hauteur totale de l'herbe (Fig. 24). En règle générale, le gazon doit avoir une hauteur d'environ 3,75 cm à 5 cm / 1-1/2 po à 2 po pendant les mois frais, et entre 5 cm et 8 cm / 2 po et 3-1/4 po pendant les mois très chauds. Pour avoir des pelouses en meilleur état et plus esthétiques, tondez plus souvent après une croissance modérée.
- Ne coupez pas d'herbe mouillée. Le fait de tondre sur des surfaces mouillées risque de causer une perte de contrôle et les roues risquent de s'enfoncer dans la pelouse molle ; par conséquent, de l'herbe humide adhèrera au dessous du châssis et ne permettra pas de déchiqeter facilement ou de mettre dans des sacs l'herbe coupée de manière appropriée.
- L'herbe nouvelle ou épaisse peut nécessiter une coupe plus étroite ou une hauteur de coupe plus élevée.
- Assurez la propreté du châssis et de la goulotte de décharge latérale de la tondeuse. Retirez toute l'herbe coupée, les feuilles, les saletés et tous les autres débris accumulés avant et après chaque utilisation. Voir la section de ce mode d'emploi intitulée « **NETTOYAGE DE LA MACHINE** ».
- Lorsque la fiche de déchiqetage est utilisée, il est important de tondre plus fréquemment.



UTILISATION SUR UN SOL EN PENTE (Fig. 25)

Voir la section de ce mode d'emploi intitulée « **CONSIDÉRATIONS SPÉCIFIQUES RELATIVES AUX SOLS EN PENTE** » pour prendre connaissance des consignes de sécurité avant d'utiliser la tondeuse sur un sol en pente.

⚠ AVERTISSEMENT : Les sols en pente sont un facteur important d'accidents causés par des renversements ou de retournements. Une utilisation de la tondeuse sur un sol en pente nécessite de prendre des précautions supplémentaires. Si vous vous sentez mal à l'aise sur un sol en pente, ne tondez pas l'herbe qui y pousse. Pour votre sécurité, ne tentez pas de tondre des sols en pente inclinés de plus de 15 degrés. Faites une copie de l'image du guide d'utilisation sur des sols en pente ou découpez-la (Fig. 25) et utilisez-le pour déterminer si votre pente est trop raide pour permettre une utilisation de la tondeuse sans danger.



- Tondez de haut en bas et de bas en haut, mais pas parallèlement à la surface inclinée.
- Ne tondez pas de l'herbe mouillée. Le fait de tondre de l'herbe mouillée peut avoir pour effet une perte de traction des pneus ou un dérapage sur des pentes, même si les freins fonctionnent correctement.
- Faites attention aux trous, ornières, rochers, objets peu visibles ou bosses qui pourraient vous faire glisser ou trébucher. Des herbes hautes peuvent dissimuler des obstacles. Retirez tous les objets tels que des grosses pierres, des branches d'arbre, etc., qui risqueraient d'être projetés par la lame ou causer un retournement de la tondeuse.
- N'utilisez pas la tondeuse à proximité de fossés, de dénivelés importants ou de remblais.
- Conduisez lentement et ne changez pas soudainement de vitesse ou de direction.
- Évitez de vous arrêter alors que vous êtes sur un sol en pente si possible. Si vous n'avez pas le choix et devez vous arrêter sur un sol en pente, assurez-vous d'engager le frein de stationnement. Lorsque vous remettez la tondeuse en marche, utilisez la vitesse la plus basse possible. S'il est nécessaire de tourner, faites extrêmement attention lorsque vous changez de direction, et tournez toujours dans le sens du bas de la pente.
- Si vous utilisez le sac à herbe en option, faites extrêmement attention et conduisez la tondeuse à faible vitesse lorsque vous tondez sur un sol en pente, étant donné que la mise en sac peut affecter la stabilité de la tondeuse.
- Si, à un moment quelconque, les pneus perdent leur traction pendant que vous tondez sur un sol en pente, désengagez les lames et avancez très lentement et en prenant beaucoup de précautions tout droit vers le bas de la pente.

ENTRETIEN

⚠ AVERTISSEMENT : Avant de réaliser une quelconque opération d'entretien, arrêtez la tondeuse sur une surface plate et attendez que les lames se soient complètement arrêtées. Engagez le frein de stationnement et retirez la clé de sécurité pour éviter tout risque de démarrage accidentel qui pourrait causer des blessures graves.

⚠ AVERTISSEMENT : Portez toujours une protection des yeux avec des écrans latéraux pour vous conformer à la norme ANSI Z87.1. Sinon, vous risqueriez de subir une blessure grave pouvant résulter de la protection d'objets dans vos yeux.

⚠ AVERTISSEMENT : Lors de toute réparation, n'utilisez que des pièces de rechange identiques. L'utilisation de toutes autres pièces de rechange pourrait créer un danger ou endommager le produit. Pour assurer la sécurité et la fiabilité, toutes les réparations doivent être effectuées par un technicien de service qualifié.

⚠ AVERTISSEMENT : Respectez strictement toutes les spécifications concernant le serrage des clés pour le couple. Si vous ne respectez pas cette consigne, vous risqueriez de subir des blessures graves.

AVIS : Restez alerte au cas où vous entendriez des bruits inhabituels, car ils pourraient indiquer un problème. Inspectez visuellement le produit pour vous assurer qu'il n'y a pas de traces de dommages ou d'usure inhabituelle. Inspectez périodiquement l'ensemble du produit pour vous assurer qu'aucun composant (p. ex., vis, écrous, boulons, capuchons) n'est endommagé, manquant ou desserré, et qu'il n'y a pas de fils enchevêtrés ou emmêlés. Serrez à fond toutes les attaches et tous les capuchons, et ne vous servez pas de ce produit avant que toutes les pièces manquantes ou endommagées n'aient été remplacées.

CALENDRIER DE MAINTENANCE RECOMMANDÉE

Intervalles d'entretien de maintenance	Procédure de maintenance
Avant chaque utilisation ou une fois par jour	<ul style="list-style-type: none"> ▪ Vérifiez le système de verrouillage de sécurité. ▪ Inspectez visuellement le pneu pour vous assurer qu'il n'est pas dégonflé. ▪ Inspectez les lames. ▪ Inspectez l'ensemble du produit pour vous assurer qu'il n'y a pas de pièces endommagées, manquantes ou desserrées telles que la goulotte de décharge latérale, les vis, les écrous, les boulons, les capuchons, etc., en vous assurant que tous les dispositifs de protection sont en place et fonctionnent correctement.
Après chaque utilisation	<ul style="list-style-type: none"> ▪ Nettoyez le plateau de la tondeuse.
Toutes les 25 heures	<ul style="list-style-type: none"> ▪ Vérifiez la pression des pneus.
Toutes les 50 heures	<ul style="list-style-type: none"> ▪ Vérifiez l'état de la graisse à l'intérieur de la bride de fixation de la lame de coupe.
Toutes les 100 heures	<ul style="list-style-type: none"> ▪ Inspectez les roues arrière, en vous assurant que les quatre écrous à ergot sont serrés avec le couple recommandé.
Toutes les 200 heures	<ul style="list-style-type: none"> ▪ Inspectez les roues avant, en vous assurant qu'elles tournent librement.

Intervalles d'entretien de maintenance	Procédure de maintenance
Avant de la ranger	<ul style="list-style-type: none">▪ Retirez la pile de la tondeuse.▪ Retirez la clé de sécurité de la tondeuse.▪ Effectuez toutes les procédures de maintenance indiquées ci-dessus et nettoyez soigneusement la tondeuse.▪ Inspectez l'ensemble du produit pour vous assurer qu'il n'y a pas de pièces endommagées, manquantes ou desserrées, et réinstallez les pièces appropriées ou resserrez-les avant de ranger la tondeuse.
Une fois par an	<ul style="list-style-type: none">▪ Inspectez la pédale de frein de stationnement. Retirez la pile de la tondeuse et mettez la pédale de frein de stationnement dans la position de freinage. Poussez à la main la tondeuse vers l'avant afin de déterminer si la tondeuse peut être déplacée ou non. Si elle bouge, faites-la examiner par un technicien d'entretien qualifié.

ENTRETIEN GÉNÉRAL

- Évitez d'utiliser des solvants lorsque vous nettoyez des pièces en plastique. La plupart des plastiques sont susceptibles d'être endommagés par divers types de solvants commerciaux, et ils pourraient l'être si vous les utilisez. Utilisez des chiffons propres pour retirer les saletés, la poussière, l'huile, la graisse, etc. L'utilisation d'un insectifuge pulvérisé risquerait d'endommager le plastique et les surfaces peintes. Ne pulvérisiez pas d'insectifuge à proximité de la tondeuse.
- Une exposition prolongée à la lumière du soleil endommagera certaines surfaces.
- Si la tondeuse a été laissée à l'extérieur et exposée à la pluie accidentellement, utilisez des chiffons propres et secs pour sécher le siège, le tableau de commande, etc., avant de vous en servir à nouveau ou de la ranger.

⚠ AVERTISSEMENT : Ne laissez jamais de liquide de frein, d'essence, de produits à base de pétrole, d'huiles pénétrantes, etc. entrer en contact avec des composants en plastique. Les produits chimiques peuvent endommager, affaiblir ou détruire le plastique, ce qui pourrait causer des blessures graves.

NETTOYAGE DE LA MACHINE

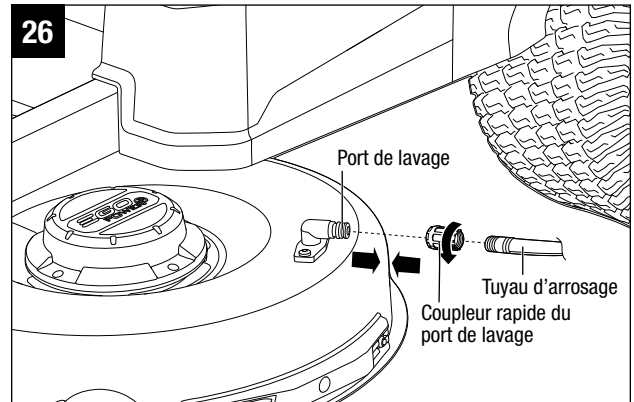
Détachez toute accumulation d'herbe et de feuilles sur le capot de la tondeuse ou autour de celui-ci. Portez une protection des yeux et utilisez de l'air comprimé après chaque utilisation pour nettoyer le dessus et le dessous du plateau de la tondeuse.

Le dessous du châssis de la tondeuse doit également être nettoyé à intervalles réguliers, étant donné que de l'herbe, des feuilles, des saletés et d'autres débris s'y accumuleront, tout particulièrement lorsque l'herbe est mouillée ou quand elle est très humide. Cette accumulation est indésirable parce qu'elle durcira, et que cela peut limiter le mouvement des lames et de l'air, produisant vraisemblablement des coupes de qualité médiocre et favorisant la rouille et la corrosion.

UTILISATION DU PORT DE LAVAGE POUR NETTOYER LE PLATEAU DE LA TONDEUSE

AVIS : Suivez cette procédure après CHAQUE UTILISATION pour éviter l'accumulation de déchets, et retirez les produits chimiques corrosifs d'entretien des pelouses.

IMPORTANT : Vous pouvez laver la machine avec un détergent doux et de l'eau. Ne lavez pas la machine sous pression. Évitez une utilisation excessive d'eau, en particulier près du tableau de commande, sous le siège, autour des moteurs et près de tous les composants électriques et des paliers.



1. Mettez la pédale de frein de stationnement dans la position de freinage. Référez-vous à la section de ce mode d'emploi intitulée « **RÉGLAGE DU FREIN DE STATIONNEMENT** ».
2. Ajustez la hauteur du plateau de la tondeuse sur la valeur la plus basse. Référez-vous à la section de ce mode d'emploi intitulée « **RÉGLAGE DE LA HAUTEUR DU PLATEAU DE COUPE** ».
3. Attachez le coupleur rapide de lavage fourni au tuyau d'arrosage.
4. Attachez le tuyau d'arrosage avec le coupleur rapide au port de lavage sur le plateau de la tondeuse. Le port de lavage est situé sur le côté gauche du plateau de la tondeuse.
5. Ouvrez le robinet d'eau.
6. Tirez sur l'interrupteur de prise de force pour mettre en fonctionnement les lames de coupe de la tondeuse, et ajustez la vitesse des lames à la valeur la plus élevée. Référez-vous à la section de ce mode d'emploi intitulée « **RÉGLAGE DE LA VITESSE DES LAMES** ».
7. Projetez de l'eau sous le plateau pendant une minute environ.
8. Appuyez sur l'interrupteur de prise de force (en poussant vers le bas) pour désengager les lames de la tondeuse.
9. Fermez le robinet d'eau et retirez le tuyau d'arrosage et le coupleur rapide du port de lavage.
10. Retirez le coupleur rapide du tuyau d'arrosage et rangez-le en vue de réutilisation à l'avenir.
11. Mettez la tondeuse complètement à l'arrêt. Référez-vous à la section « **ARRÊT DE LA TONDEUSE ÉLECTRIQUE À RAYON DE BRAQUAGE ZÉRO** ».

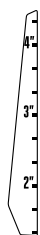
AVIS : Lorsque vous nettoyez le plateau en utilisant le port de lavage, la tondeuse peut être soit dans le mode de déchetage, soit dans le mode de décharge latérale.

AVIS : Si la tondeuse n'est pas propre après un lavage, recommencez le processus jusqu'à ce que le plateau ait été complètement nettoyé.

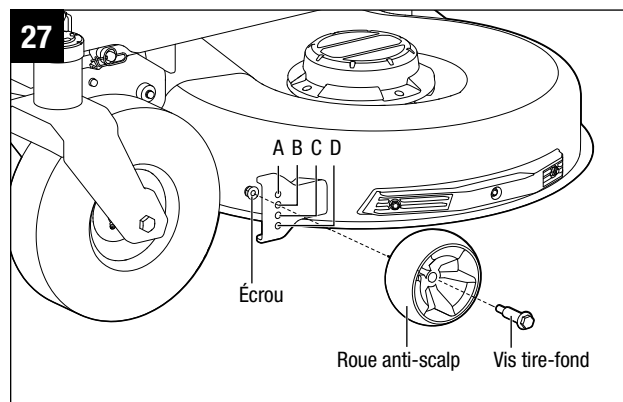
RÉGLAGE DES ROUES ANTI-SCALP (Fig. 27)

Les roues anti-scalp ont été conçues pour minimiser le risque de scalper la pelouse lorsque vous utilisez la tondeuse sur un sol irrégulier et accidenté. Après avoir réglé la hauteur de coupe, ajustez les roues anti-scalp de telle façon qu'elles s'étendent en dessous du châssis mais sans entrer en contact avec le sol.

Les roues anti-scalp peuvent être réglées sur l'une des quatre positions suivantes :



- Position A : moins de 5 cm / 2 po de hauteur de coupe de l'herbe
- Position B : 5 cm à 7,5 cm / 2 po à 3 po de hauteur de coupe de l'herbe
- Position C : 7,5 cm à 10 cm / 3 po à 4 po de hauteur de coupe de l'herbe
- Position D : plus de 10 cm / 4 po de hauteur de coupe de l'herbe



Les roues anti-scalp sont réglées dans la position B par défaut à l'usine. Elles sont maintenues en place par un écrou et une vis tire-fond pour chacune d'elles.

AVIS : une clé de 13 mm / 1/2 po et une clé de 15 mm / 19/32 po sont nécessaires pour régler les roues. Aucune clé n'est incluse.

1. Garez la tondeuse sur une surface plane et activez le frein de stationnement.
2. Arrêtez les moteurs et retirez la clé de sécurité. Attendez que les lames de coupe se soient complètement arrêtées.
3. Élevez le châssis jusqu'à la position de coupe désirée.
4. Utilisez une clé de 13 mm / 1/2 po pour stabiliser l'écrou en premier, puis desserrez et retirez la vis tire-fond de l'autre côté au moyen de la clé de 15 mm / 19/32 po.
5. Déplacez la roue anti-scalp pour la mettre dans la position désirée. Puis serrez à fond la vis tire-fond et l'écrou avec les clés.
6. Suivez la même procédure avec la roue anti-scalp en vous assurant que les deux roues sont installées dans la même position.

MISE À NIVEAU DU CHÂSSIS DE LA TONDEUSE

⚠ AVERTISSEMENT : Protégez-vous toujours les mains en portant des gants épais ou en enveloppant les bords coupants avec des chiffons ou d'autres matériaux lorsque vous effectuez des opérations de maintenance sur la lame de la tondeuse à gazon.

- Si votre pelouse semble avoir été tondue de façon irrégulière après avoir utilisé la tondeuse ou lorsque la lame de la tondeuse a été réinstallée, il peut être nécessaire d'ajuster le châssis de la tondeuse.
- Avant de décider que la mise à niveau du châssis de la tondeuse est nécessaire, assurez-vous que les pneus sont correctement gonflés à la valeur PSI recommandée (veuillez consulter la section de ce mode d'emploi intitulée « **CONTRÔLE DE LA PRESSION DES PNEUS** »). Des pneus excessivement ou insuffisamment gonflés peuvent affecter l'apparence de l'herbe coupée, et un gonflage correct des pneus peut être tout ce qui est nécessaire pour résoudre les problèmes de coupe irrégulière. Si les pneus sont excessivement ou insuffisamment gonflés, le pont ne pourra pas être réglé correctement.

- Inspectez les lames pour vous assurer qu'elles ne sont pas tordues avant d'effectuer la mise à niveau. Retirez les lames tordues et remplacez-les. Voir la section de ce mode d'emploi intitulée « **REPLACEMENT DES LAMES DE COUPE** » pour référence.
- Ajustez le châssis pendant que la tondeuse se trouve sur une surface plane. Élevez le châssis pour le mettre dans la position la plus haute possible.

AVIS : Les roues anti-scalp du plateau de la tondeuse ne doivent pas être en contact avec le sol lorsque vous mettez le plateau à niveau.

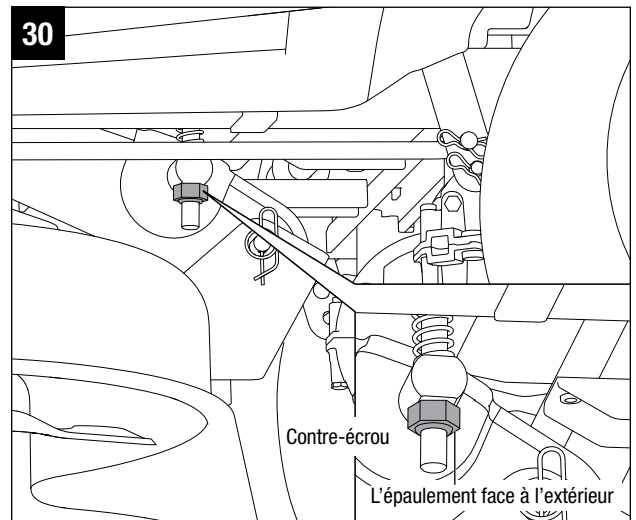
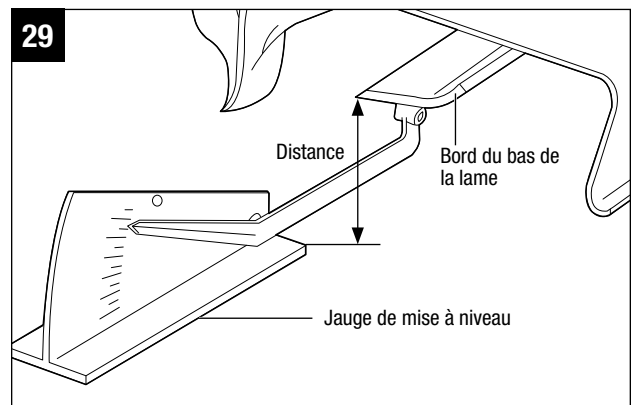
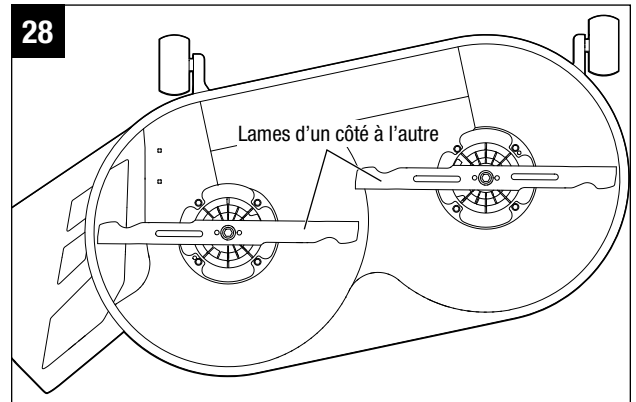
AVIS : Le châssis doit être réglé légèrement plus haut à l'arrière.

AVIS : Une clé de 21 mm / 13/16 po et une clé de 18 mm / 23/32 po sont nécessaires pour mettre le plateau de coupe à niveau. Les clés ne sont pas incluses.

Comment effectuer des réglages d'un côté à l'autre

1. Positionnez les deux lames de telle sorte que leurs extrémités soient orientées vers les côtés de la tondeuse (Fig. 28).
2. Sur le bord extérieur de chaque lame, mesurez la distance depuis le bord du bas du côté de la lame jusqu'au sol (Fig. 29). Si la distance entre les deux côtés est supérieure à 5 mm / 13/64 po, un ajustement d'un côté à l'autre est nécessaire.
3. Sur le côté que vous désirez ajuster, utilisez une clé à fourche de 21 mm / 13/16 po (non fournie) pour ajuster le contre-écrou à l'arrière de la tondeuse (Fig. 30).
4. Mesurez à nouveau. Continuez à ajuster et à mesurer jusqu'à ce que la différence entre la distance de chaque côté soit inférieure à 5 mm / 13/64 po.
5. Effectuez le réglage d'avant en arrière ou resserrez les écrous.

AVIS : Au cas où le contre-écrou à l'arrière aurait été retiré accidentellement de la tondeuse, remontez-le de façon à ce que l'épaulement du contre-écrou soit orienté vers l'extérieur. Il n'existe pas de besoins particuliers pour les deux écrous sur la biellette de suspension. Le couple recommandé pour le contre-écrou est de 39-41 N.m. / 28-30 pi-lb.



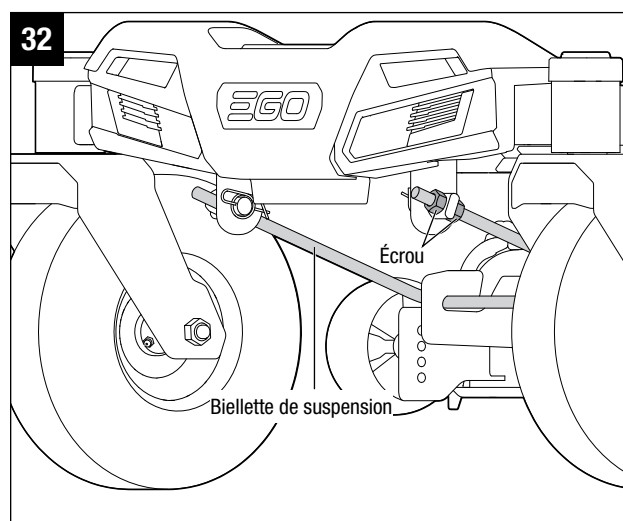
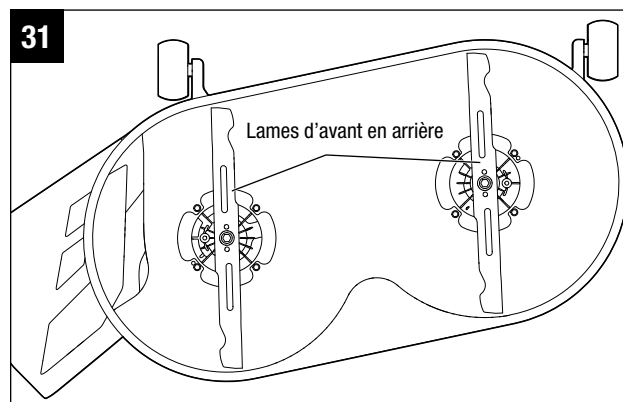
Comme effectuer un réglage d'avant en arrière

AVIS : Mettez toujours à niveau le châssis d'un côté à l'autre avant de réaliser un réglage d'avant en arrière.

1. Positionnez les deux lames de telle sorte que leurs extrémités soient orientées vers l'avant et l'arrière de la tondeuse (Fig. 31).
2. Mesurez la distance entre l'extrémité d'une lame et le sol (voir Fig. 29). Pour obtenir les meilleurs résultats possibles, la pointe avant de la lame doit être plus basse que l'extrémité arrière de 2 mm à 10 mm / 5/64 po à 25/64 po.
3. Si un réglage d'avant en arrière est nécessaire, utilisez une clé à fourche de 18 mm / 23/32 po (non fournie) pour ajuster les quatre écrous sur la biellette de suspension (deux pour chaque côté).

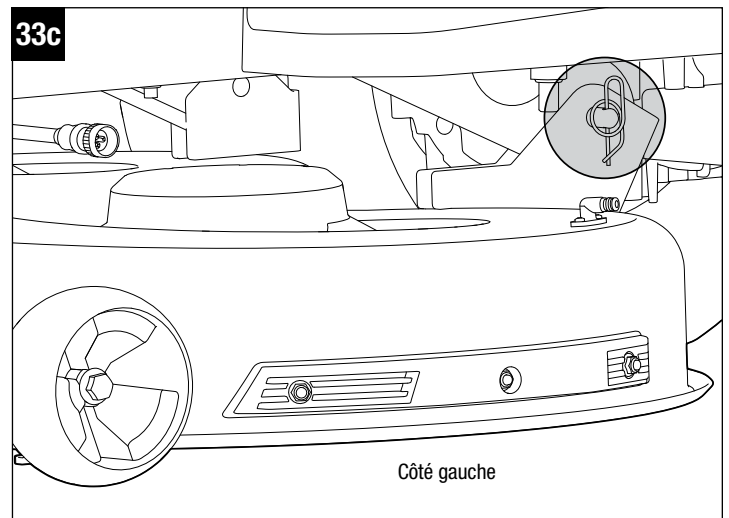
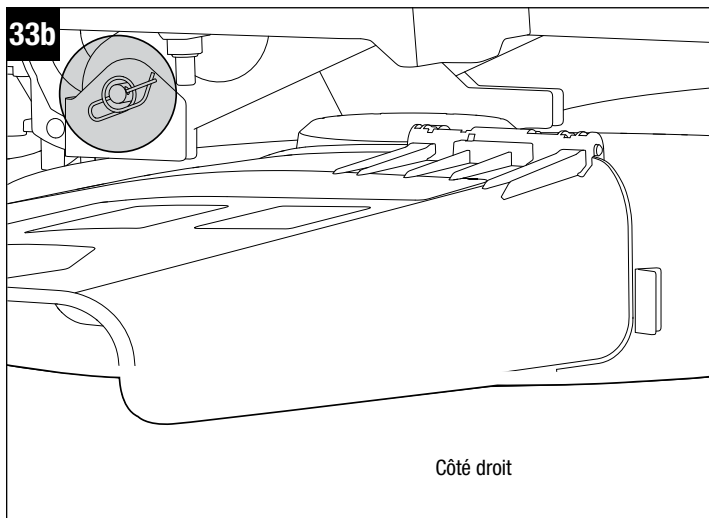
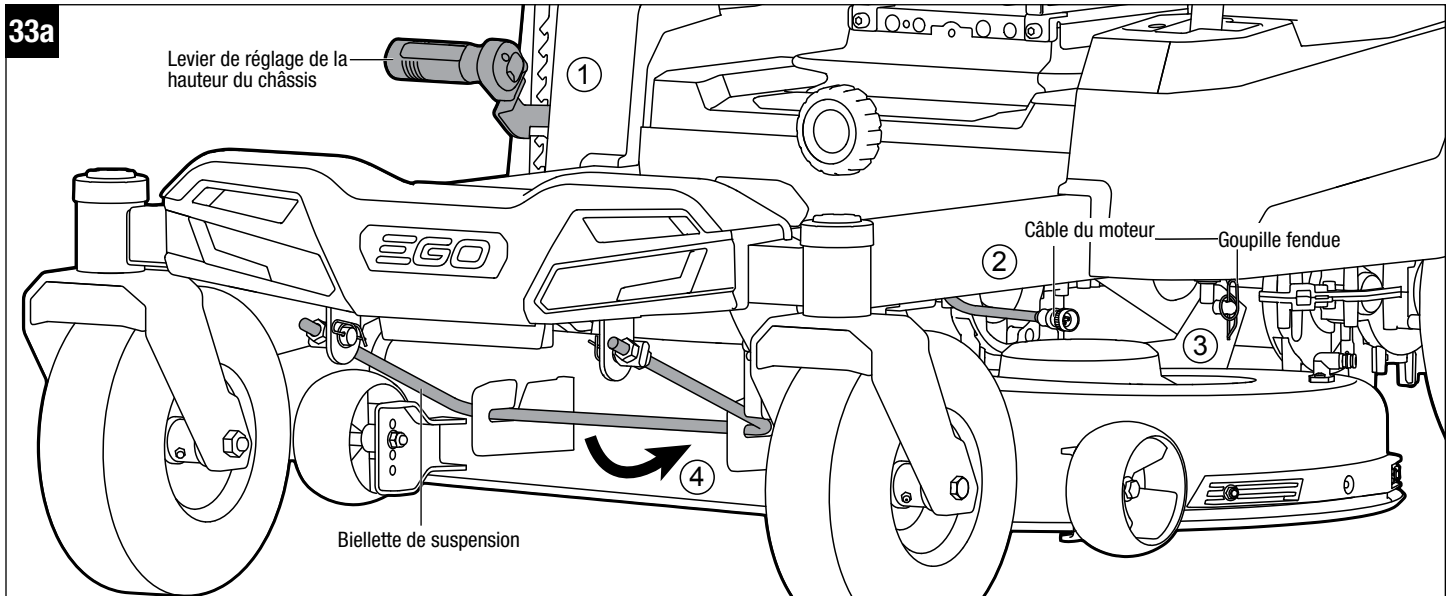
AVIS : Assurez-vous de bien tourner les écrous correspondants des deux côtés également pour éviter d'altérer la mesure d'un côté à l'autre.

4. Mesurez à nouveau pour vérifier que la pointe avant est maintenant plus basse que la pointe arrière de 2 mm à 10 mm / 5/64 po à 25/64 po. Sinon, continuez à ajuster et à mesurer jusqu'à ce qu'elle le soit.
5. Resserrez les écrous. Le couple recommandé pour les écrous est de 52-57 N.m. / 38-42 pi-lb.



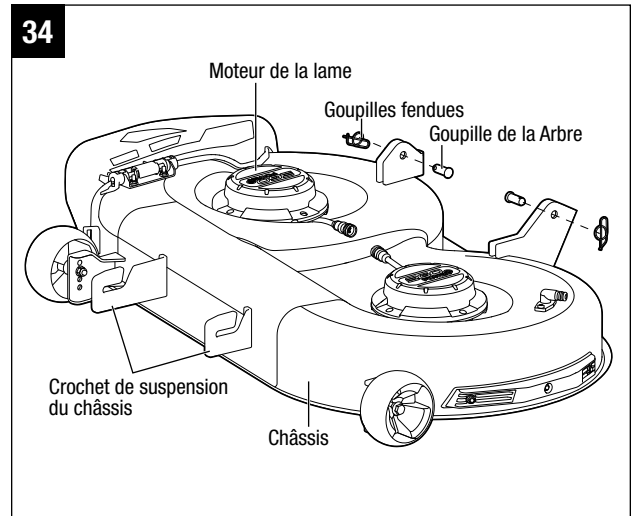
RETRAIT DU CHÂSSIS DE LA TONDEUSE (Fig. 33a & b & c)

⚠ AVERTISSEMENT : Assurez-vous que la tondeuse est bien sécurisée et que le frein de stationnement est activé avant de continuer. Élevez le châssis à la hauteur de coupe LA PLUS HAUTE afin de permettre un accès plus facile aux lames.



- Suivez la procédure décrite ci-dessous pour retirer le châssis de la tondeuse du produit en premier, puis pour effectuer l'opération d'entretien.

1. Garez la tondeuse sur une surface plane et activez le frein de stationnement.
2. Arrêtez les moteurs et retirez la clé de sécurité. Attendez que les lames de coupe se soient complètement arrêtées.
3. Ajustez le levier de réglage de la hauteur du châssis à la position de hauteur de coupe la plus basse.
4. Déconnectez les deux câbles de moteur de lame.
5. Placez un tapis ou un paillason (de taille similaire à celle du plateau) au-dessous du plateau pour protéger celui-ci contre tout risque d'endommagement.



6. Retirez les goupilles fendues et poussez les chevilles vers l'extérieur. Conservez toutes les goupilles et les chevilles en vue du réassemblage du plateau.
7. Poussez le plateau vers l'avant (en direction des roues avant) et faites tourner la biellette de suspension dans le sens contraire des aiguilles d'une montre pour la relâcher des crochets de suspension du plateau.
8. Poussez le plateau latéralement et retirez-le du dessous de la tondeuse (Fig. 34).
9. Nettoyez le châssis ou remplacez la lame en suivant les instructions dans la section de ce mode d'emploi intitulée « **REPLACEMENT DE LA LAME DE COUPE** ».
10. Lorsque le nettoyage ou le remplacement de la lame sera terminé, remontez le châssis sur la tondeuse en suivant les instructions en sens inverse.

AVIS : Reconnectez les câbles du moteur en vous assurant que le câble de gauche du moteur conduit au moteur de gauche et que le câble de droite du moteur conduit au moteur de droite. Les mots « left » (gauche) et « right » (droite) sont gravés sur les câbles.

REPLACEMENT DES LAMES DE COUPE

Retrait de la lame de coupe

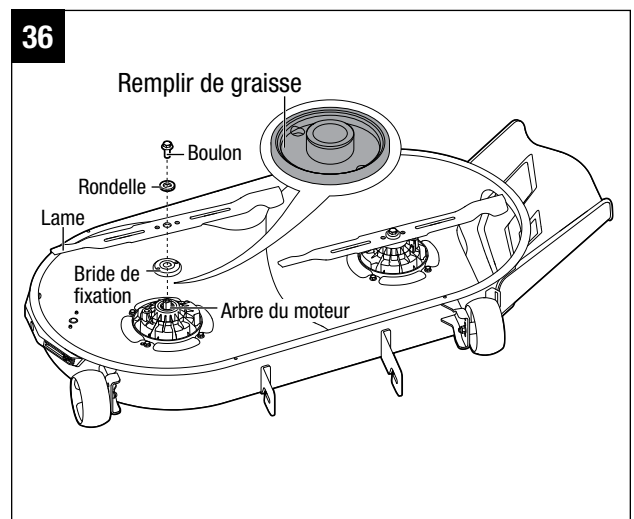
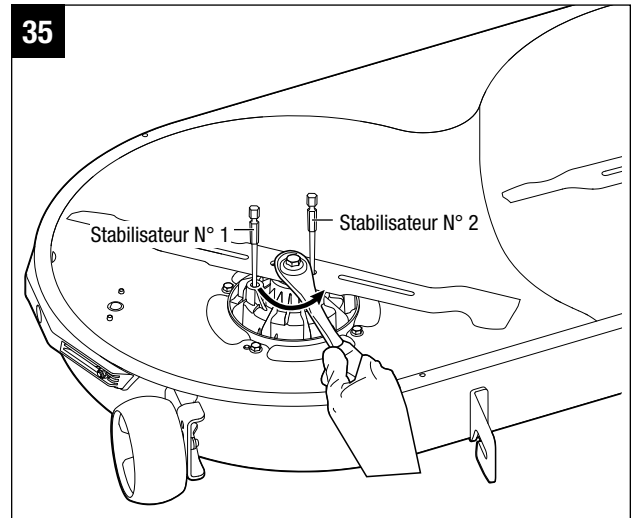
⚠ AVERTISSEMENT : Protégez-vous toujours les mains en portant des gants épais ou en enveloppant les bords coupants avec des chiffons ou d'autres matériaux lorsque vous effectuez des opérations de maintenance sur la lame de la tondeuse à gazon. Retirez toujours la clé de sécurité et les blocs-piles lorsque vous effectuez une opération d'entretien ou lorsque vous déplacez la tondeuse à gazon.

AVIS : Les outils suivants (non inclus) sont nécessaires pour remplacer la lame :

- Clé de 14 mm po / 9/16 po
- Clé dynamométrique avec douilles de 14 mm / 9/16 po
- Tournevis manuel ou tige en métal de 8 mm / 5/16 po ou moins
- Tournevis manuel ou tige en métal de 6.35 mm / 1/4 po ou moins

Outils qui vous faciliteront la vie : une clé à choc avec des douilles de 14 mm / 9/16 po rendra le retrait des boulons de la lame beaucoup plus facile.

1. Retirez le châssis de la tondeuse en suivant les instructions de la section du mode d'emploi intitulée « **RETRAIT DU CHÂSSIS DE LA TONDEUSE** ».
2. Retournez le châssis sur le sol avec les lames orientées vers le haut.
3. Mettez des gants de protection et placez un tournevis ou une tige en métal d'un diamètre inférieur à 8 mm / 5/16 po dans le trou de fixation du moteur afin de servir de stabilisateur. Placez une autre tige en métal d'un diamètre inférieur à 6,35 mm / 1/4 po (p. ex., une mèche) dans le trou aligné de la lame et de la bride de fixation pour servir également de stabilisateur (Fig. 35).
4. Utilisez une clé à douille ou une clé à ouverture variable de 14 mm / 9/16 po (non incluse) pour tourner le boulon de fixation de la lame dans le sens contraire des aiguilles d'une montre afin de le desserrer (Fig. 35).
5. Mettez des gants de protection et retirez ensuite le boulon, la rondelle et la lame (Fig. 36). La bride de fixation peut être laissée sur l'arbre du moteur.



Installation de la lame de coupe

⚠ AVERTISSEMENT : Protégez-vous toujours les mains en portant des gants épais ou en enveloppant les bords coupants avec des chiffons ou d'autres matériaux lorsque vous effectuez des opérations de maintenance sur la lame de la tondeuse à gazon.

Retirez toujours la clé de sécurité et le blocs-piles lorsque vous effectuez une opération d'entretien ou lorsque vous déplacez la tondeuse à gazon.

AVIS: Pour réinstaller ou remplacer la lame, assurez-vous que toutes les pièces sont remises en place dans l'ordre exact dans lequel elles avaient été retirées (Fig. 36).

1. Si la bride de fixation avait été retirée pendant le retrait de la lame, alignez-la sur l'arbre du moteur en premier, puis assemblez-la en place.

AVIS : Toutes les 50 heures : examinez la graisse à l'intérieur de la bride de fixation en la retournant sens dessus-dessous. Si le niveau de graisse est bas, remplissez la zone concave de la bride de fixation avec de la graisse pour engrenages avant d'effectuer le remontage. La graisse doit répondre aux exigences suivantes :

- Pénétration Grade NLGI : NLGI-3 ;
- Type d'épaississeur : épaisseur au savon de lithium ;
- Plage de température de fonctionnement recommandée : -20 – 120° C / -4 – 248° F.

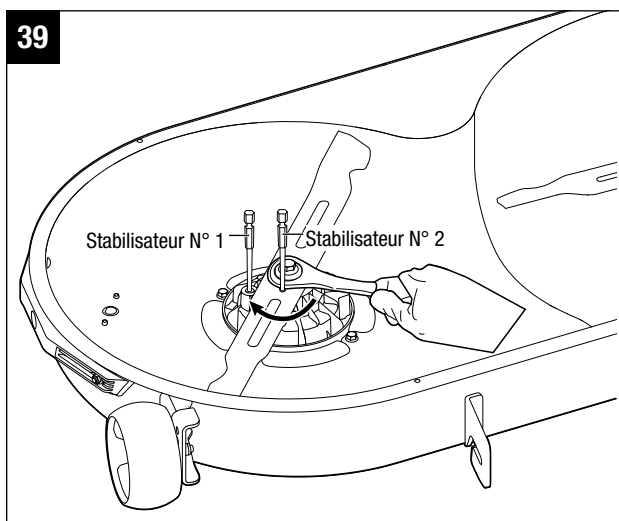
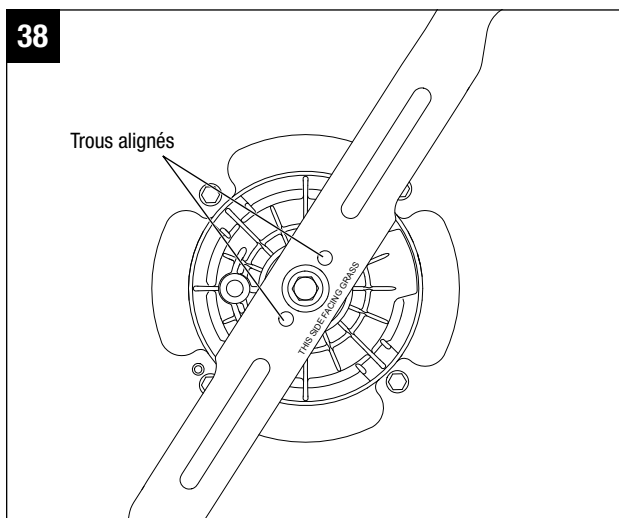
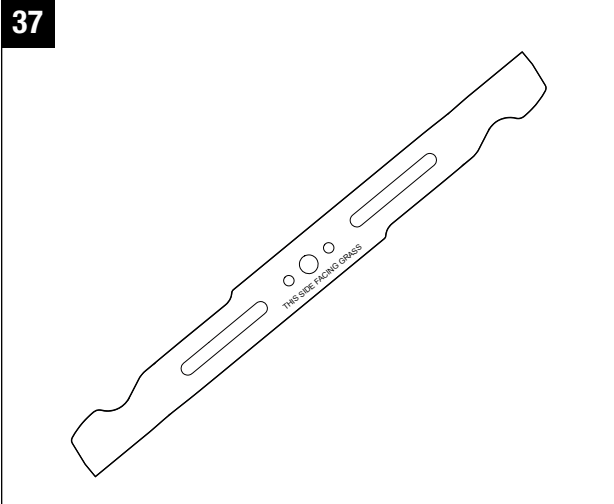
2. Tout en portant toujours des gants de protection, positionnez la lame sur la bride de fixation avec la surface indiquant « **THIS SIDE FACING GRASS** » (Ce côté face à l'herbe) orientée vers l'extérieur (Fig. 37).
3. Alignez la rondelle sur l'arbre du moteur et montez-la sur l'arbre du moteur.
4. Montez le boulon sur l'arbre du moteur. Serrez le boulon à la main dans le sens des aiguilles d'une montre.
5. Déplacez la lame à la main pour aligner les deux trous dans la lame sur les deux trous dans la bride de fixation (Fig. 38).
6. Placez une tige en métal d'un diamètre inférieur à 6,35 mm / 1/4 po (p. ex., une mèche) dans le trou aligné de la lame et de la bride de fixation pour servir de stabilisateur. Placez un autre tournevis ou une tige en métal d'un diamètre inférieur à 8 mm / 5/16 po dans le trou de fixation du moteur afin de servir de stabilisateur (Fig. 39).
7. Utilisez une clé dynamométrique de 14 mm / 9/16 po pour serrer le boulon dans le sens des aiguilles d'une montre. Le couple recommandé pour le boulon de fixation de la lame est de 50-55 Nm / 36-41 pi-lb.
8. Suivez la même procédure avec la deuxième lame si nécessaire.
9. Remontez le châssis sur la tondeuse en suivant les instructions de la section de ce mode d'emploi intitulée « **RETRAIT DU CHÂSSIS DE LA TONDEUSE** ».

⚠ AVERTISSEMENT : Assurez-vous que la lame est bien en place et que l'écrou de fixation de la lame est serré conformément aux spécifications de couple ci-dessus. Si la lame n'est pas sécurisée correctement, elle risquerait de se détacher et de causer des blessures graves.

AFFÛTAGE DE LA LAME DE COUPE

⚠ AVERTISSEMENT : Protégez-vous toujours les mains en portant des gants épais ou en enveloppant les bords coupants avec des chiffons ou d'autres matériaux lorsque vous effectuez des opérations de maintenance sur la lame de la tondeuse à gazon. Retirez toujours la clé de sécurité et les blocs-piles lorsque vous effectuez une opération d'entretien ou lorsque vous déplacez la tondeuse à gazon.

⚠ AVERTISSEMENT : Portez toujours une protection des yeux avec des écrans latéraux pour vous conformer à la norme ANSI Z87.1. Sinon, vous risqueriez de subir une blessure grave pouvant résulter de la protection d'objets dans vos yeux.



⚠ AVERTISSEMENT : Une lame usée, fissurée ou endommagée peut se casser, et des morceaux de la lame endommagée peuvent devenir des projectiles dangereux. La projection d'objets peut causer des blessures graves. Inspectez régulièrement la lame, et ne vous servez pas de la tondeuse si la lame est usée ou endommagée.

AVIS: Gardez la lame affûtée pour obtenir les meilleures performances de la tondeuse. Une lame émoussée ne coupe pas l'herbe proprement ou ne réalise pas le déchetage correctement. **Une lame émoussée peut être affûtée**, mais une lame excessivement usée, tordue, fissurée ou autrement endommagée doit être remplacée. Une lame usée ou endommagée peut se briser, provoquant la projection de morceaux de lame de la tondeuse. S'il s'avère que les lames sont tordues, apportez la tondeuse à gazon à un centre de service EGO agréé pour inspection. **N'essayez jamais de redresser une lame tordue en la chauffant ou de souder une lame endommagée ou cassée.**

FRÉQUENCE D'AFFÛTAGE

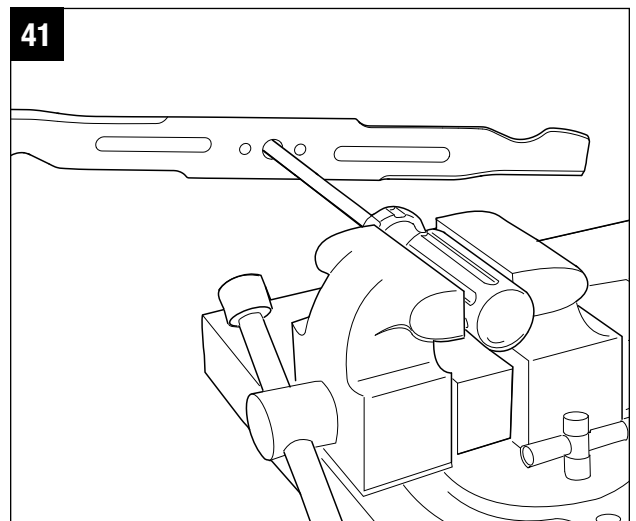
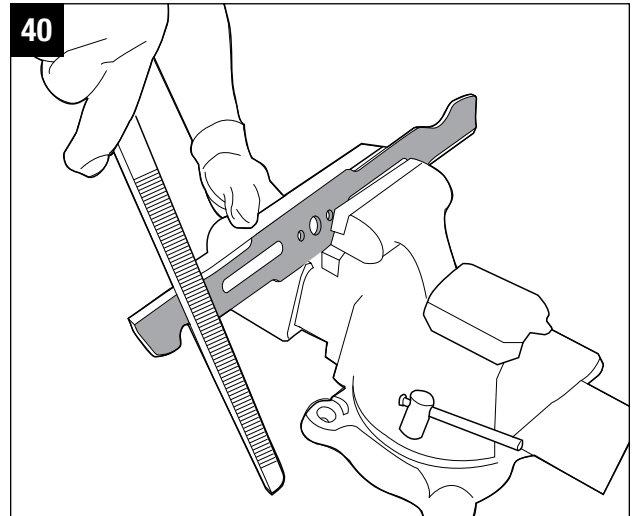
Il suffit généralement d'affûter la lame de coupe à deux reprises pendant une saison de tonte dans des circonstances normales. Le sable émousse rapidement une lame ; si votre pelouse pousse sur un sol avec beaucoup de sable, un affûtage plus fréquent peut être nécessaire.

LORS DE L'AFFÛTAGE DE LA LAME DE COUPE

1. Assurez-vous que la lame est bien équilibrée.
2. Affûtez la lame de coupe à l'angle de coupe d'origine.
3. Affûtez les bords de coupe aux deux extrémités de la lame en retirant une quantité de matériau égale à chaque extrémité.

AFFÛTAGE DE LA LAME DANS UN ÉTAU

1. Retirez la lame de la tondeuse (veuillez voir la section de ce mode d'emploi intitulée « **REMPACEMENT DE LA LAME DE COUPE** »).
2. Sécurisez la lame dans un étau (Fig. 40).
3. Portez une protection des yeux appropriée ainsi que des gants, et faites attention de ne pas vous couper.
4. Affûtez les bords de coupe de la lame avec précaution en utilisant une lime à dents fines ou une pierre à aiguiser, et veillez à conserver l'angle du bord de coupe d'origine.
5. Pour vérifier l'équilibre de la lame : enfoncez un clou ou un tournevis avec une tige ronde en position horizontale. Positionnez la lame de sorte que le clou ou la tige ronde du tournevis soutienne la lame à travers son trou central. Équilibrez la lame horizontalement. Si l'une des extrémités de la lame tourne vers le bas, retirez du métal de l'extrémité lourde ou inférieure jusqu'à ce que la lame soit équilibrée. Elle est équilibrée lorsqu'aucune des extrémités ne tombe (Fig. 41).
6. Remettez la lame en place en la montant de façon sécurisée sur la tondeuse (veuillez voir la section de ce mode d'emploi intitulée « **REMPACEMENT DE LA LAME DE COUPE** »).



⚠ AVERTISSEMENT : Une lame mal équilibrée causera des vibrations excessives quand elle tournera à une vitesse élevée. Elle pourrait endommager la tondeuse et se casser, causant éventuellement des blessures.

CONTRÔLE DE LA PRESSION DES PNEUS

Vérifiez la pression de l'air dans tous les pneus avant de commencer à utiliser la tondeuse. Une pression d'air inappropriée affectera la manipulation, la réponse aux problèmes de direction, la traction, la durée de vie des pneus, l'uniformité de la coupe et le confort de l'opérateur. Assurez-vous que les pneus sont gonflés à la pression indiquée ci-dessous.

Il est important pour assurer un montage de niveau que tous les pneus aient le montant correct de pression d'air. Si la tondeuse n'avance pas en ligne droite, veuillez vérifier la pression d'air des roues avant toute autre chose.

AVIS: La pression des pneus ne doit être mesurée ou ajustée que quand les pneus sont froids.

Pression recommandée	Roue avant	Roue arrière
	32 psi (222,1 kPa)	7 psi (48,3 kPa)

⚠ AVERTISSEMENT : Vérifiez attentivement la pression des pneus pendant que vous les gonflez. La présence de trop d'air dans le pneu risquerait de faire éclater le pneu, ce qui pourrait causer des blessures graves.

⚠ AVERTISSEMENT : Il est très important de maintenir la pression d'air correcte dans les pneus. Une pression insuffisante pourrait permettre au pneu de tourner et de se détacher de la jante de la roue. Une pression excessive pourrait causer l'éclatement du pneu. Le fait de ne pas maintenir la pression d'air correcte dans les pneus pourrait causer des problèmes de fonctionnement et de stabilité pour la tondeuse, causant ainsi éventuellement des blessures graves.

REPLACEMENT DES ROUES

AVIS: Les outils suivants (non inclus) sont requis pour remplacer les roues.

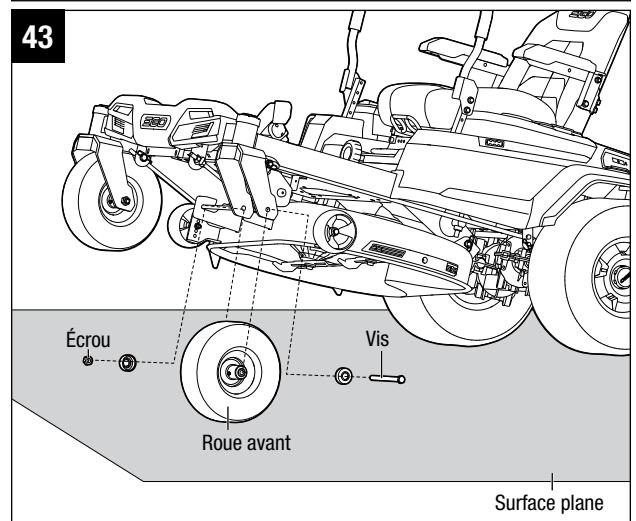
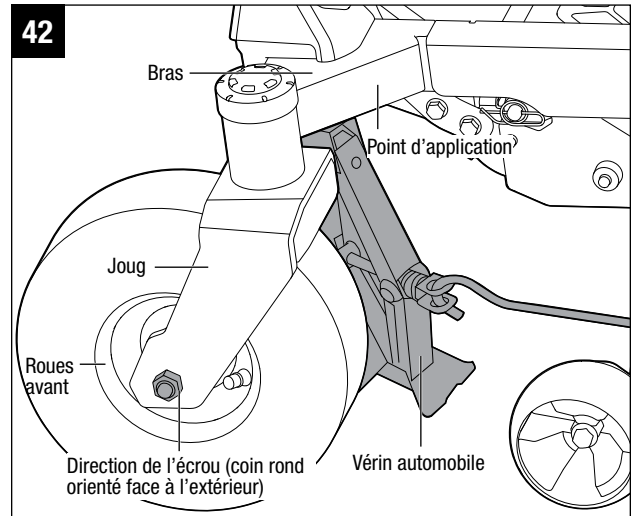
- Cric automobile.
- Chandelle de soutien.
- Cales pour les roues.
- Une clé à fourche ou une clé à ouverture variable. les tailles requises sont de 21 mm / 13/16 po et 18 mm / 23/32 po.
- Une clé dynamométrique avec une douille de 21 mm / 13/16 po.
- Un tournevis à lame plate.

⚠ AVERTISSEMENT : Si vous soulevez la tondeuse, assurez-vous que la tondeuse est correctement fixée et que le frein de stationnement est activé avant de continuer. Le fait de ne pas sécuriser correctement la tondeuse peut provoquer sa chute, pouvant entraîner la mort ou des blessures graves.

Remplacement de la roue avant (Fig. 43)

Inspectez les roues toutes les 200 heures d'utilisation. Assurez-vous que les roues avant tournent librement. Si une roue ne tourne pas librement, remplacez-la.

1. Soulevez le bras de la roue qui doit être remplacé à l'aide d'un cric automobile. Utilisez uniquement la pointe de cric recommandée illustrée à la Fig.42
2. Utilisez la clé de 18 mm / 23/32 po (non fournie) pour stabiliser la première vis, puis desserrez et retirez l'écrou de l'autre côté avec une clé de 21 mm / 13/16 po.
3. Tirez la roue vers l'avant ou vers le bas pour la faire sortir de l'étau (Fig. 43). Remplacez la roue avant.
4. Lorsque vous installez la nouvelle roue, tenez compte de la direction de l'écrou et serrez-la avec une clé dynamométrique (Fig. 42). Le couple recommandé pour l'écrou de fixation de la roue avant est de 90-95 Nm / 66-70 pi-lb.



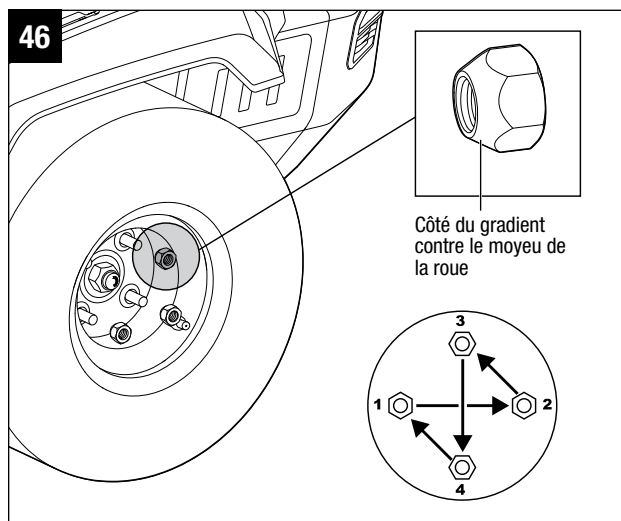
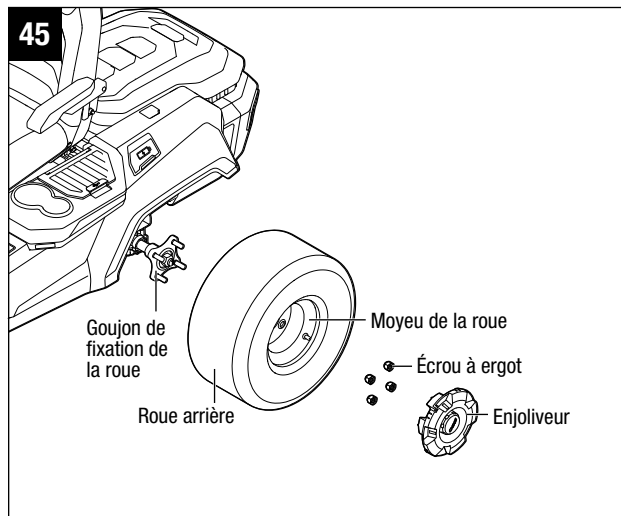
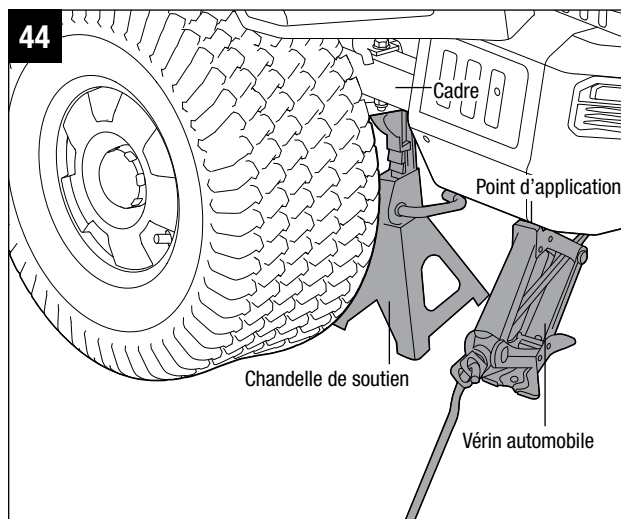
Remplacement de la roue arrière (Fig.45)

La roue arrière pour une tondeuse à rayon de braquage zéro est une roue motrice. Quand elle est endommagée, la performance de la tondeuse sera considérablement affectée. Remplacez-la immédiatement.

1. Bloquez le mouvement des roues avant au moyen de cales.
2. Soulevez le côté affecté de la tondeuse avec un vérin automobile au point d'application de vérin illustré à la Fig. 44.
3. Insérez la chandelle de soutien du vérin en dessous du châssis de la tondeuse. Abaissez le vérin automobile jusqu'à ce que le châssis de la tondeuse repose sur la chandelle de soutien.
4. Utilisez un tournevis à lame plate (non inclus) comme pied-de-biche pour retirer l'enjoliveur en forçant sur la roue arrière .
5. Utilisez la clé à douille de 21 mm / 13/16 po (non incluse) pour desserrer les quatre écrous à ergot (un tour pour chaque écrou).
6. Retirez les quatre écrous à ergot sur la roue arrière. Inspectez les quatre écrous à ergot et, s'ils sont en bon état, conservez-les en vue du remontage. Sinon, remplacez-les en même temps.
7. Tirez sur la roue pour la détacher de ses goujons de fixation. Remplacez la roue.
8. Lorsque vous sécurisez la nouvelle roue, assurez-vous que les écrous à ergot sont dans l'orientation appropriée – l'extrémité conique étant contre le moyeu de la roue. Serrez les écrous à ergot à la main seulement (Fig. 46).
9. Abaissez la tondeuse en inversant les étapes 2 et 3. Serrez les écrous à ergot dans l'ordre montré à la Fig. 45 en utilisant une clé dynamométrique. Le couple recommandé pour les écrous à ergot de la roue arrière est de 101-103 Nm/74-76 pi-lb.

⚠ AVERTISSEMENT : Il est particulièrement important de serrer correctement les écrous de fixation de la roue, en particulier les écrous à ergot de la roue motrice. Si ces composants étaient installés avec un couple incorrect, la roue risquerait de se détacher, ce qui pourrait causer des dommages ou des blessures graves.

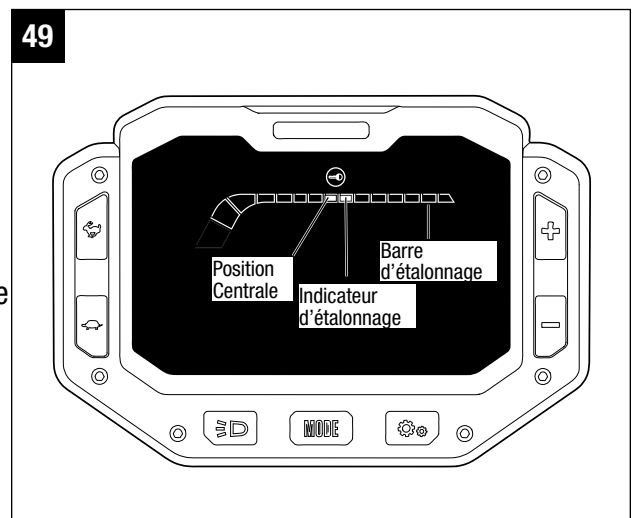
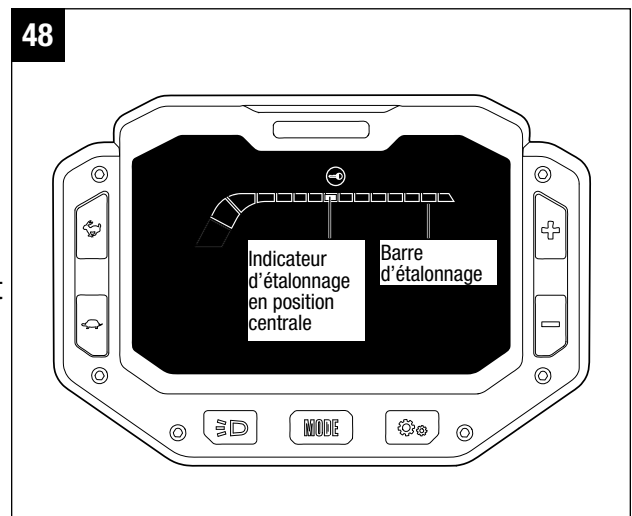
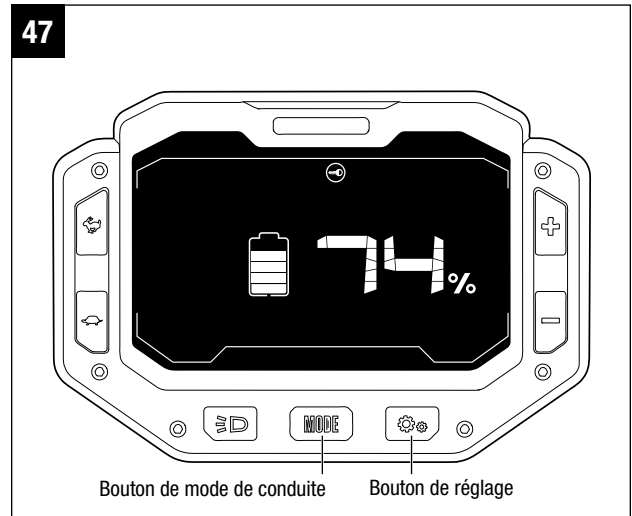
ÉCROUS À ERGOT SEULEMENT - Il est recommandé de les inspecter initialement au bout de deux heures de fonctionnement, puis ensuite toutes les 100 heures seulement et après tout retrait dans un but de réparation ou de remplacement.



ÉTALONNAGE DU SYSTÈME DE SUIVI DE LA TONDEUSE

Si la tondeuse n'avance pas en ligne droite, veuillez vérifier la pression d'air des pneus des roues arrière avant toute autre chose. Si la pression des pneus est réglée conformément à la recommandation de la section de ce mode d'emploi intitulée « **CONTRÔLE DE LA PRESSION DES PNEUS** », veuillez étalonner le système de suivi de la tondeuse en suivant la procédure ci-dessous :

1. Insérez les blocs-piles dans les compartiments des piles du module d'alimentation électrique.
2. Mettez la pédale de frein de stationnement dans la position de freinage.
3. Appuyez brièvement sur le bouton de marche/arrêt, et l'écran ACL affichera « **Fuel Gauge** » (Jauge de carburant) (Fig. 47).
4. Maintenez enfoncés le bouton du mode de conduite et le bouton de réglage simultanément pendant plus de 3 secondes pour accéder à l'interface d'étalonnage. L'indicateur sonore retentira une fois et l'écran ACL affichera la barre d'étalonnage avec l'indicateur d'étalonnage en position centrale (Fig. 48).
5. Si la tondeuse a tendance à dévier vers la gauche, il faut ré-étalonner la roue droite de la tondeuse en appuyant brièvement sur le bouton de réglage de la vitesse de conduite «↶». Appuyez une fois, l'indicateur d'étalonnage se déplace vers la droite d'une grille à partir de la position centrale et continue de clignoter (Fig. 49).
6. Si la tondeuse a tendance à dévier vers la droite, il faut ré-étalonner la roue gauche de la tondeuse en appuyant brièvement sur le bouton de réglage de la vitesse de conduite «↷». Appuyez une fois, l'indicateur d'étalonnage se déplacera vers la gauche d'une grille à partir de la position centrale et continue de clignoter.
7. À l'issue de l'étalonnage, appuyez sur le bouton de réglage pour enregistrer et quitter l'interface d'étalonnage. L'indicateur sonore émettra un bip pour indiquer que la valeur ré-étalonnée a été enregistrée avec succès. Remettez la tondeuse en marche pour vérifier si la tondeuse avance désormais droit devant. Sinon, recommencez la procédure ci-dessus jusqu'à ce que la tondeuse avance en ligne droite..



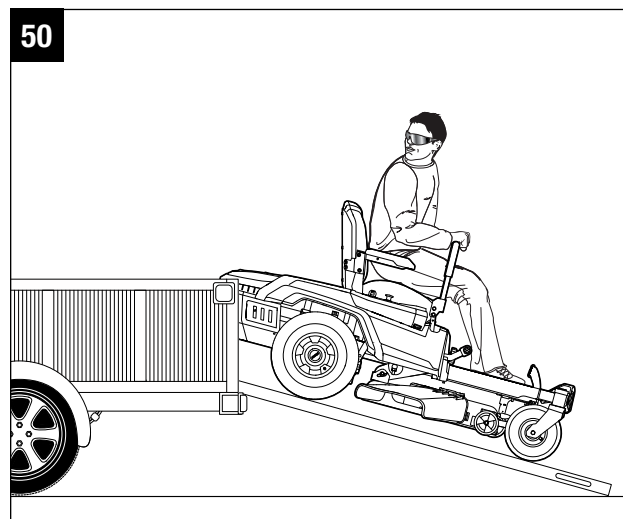
RÉINITIALISATION DE LA TONDEUSE AUX VALEURS DE RÉGLAGE FIXÉES INITIALEMENT À L'USINE

1. Insérez les blocs-piles dans les compartiments des piles du module d'alimentation électrique.
2. Mettez la pédale de frein de stationnement dans la position de freinage.
3. Appuyez brièvement sur le bouton de marche/arrêt, et l'écran ACL affichera « **Fuel Gauge** » (Jauge de carburant) (Fig. 47).
4. Appuyez en même temps sur le bouton d'éclairage à DEL et sur le bouton de réglage, et maintenez-les enfoncés pendant plus de cinq secondes. L'indicateur sonore émettra un bip à titre de rappel et l'indicateur d'état de fonctionnement de la tondeuse sur l'écran ACL clignotera en ORANGE. Cela signifie que l'opération a été couronnée de succès.

TRANSPORT DE LA TONDEUSE

Voir la section de ce mode d'emploi intitulée « **TRANSPORT** » pour lire les consignes de sécurité avant de transporter la tondeuse.

1. Garez la tondeuse sur une surface plane.
2. Élevez le châssis de coupe pour le mettre dans la position la plus élevée possible.
3. Positionnez des rampes de largeur standard et sécurisez-les sur la remorque. L'utilisation de rampes de largeur standard minimisera le risque de sortie des roues de la rampe et de chute de la tondeuse en conséquence.
4. Faites avancer lentement la tondeuse en marche arrière sur la rampe et sur la remorque (Fig. 50).
5. Arrêtez la tondeuse et appuyez sur la pédale de frein de stationnement.
6. Mettez la tondeuse hors tension en appuyant sur le bouton de marche/arrêt, et retirez la clé de sécurité.
7. Sécurisez la tondeuse de manière appropriée en utilisant des attaches ou des câbles afin de prévenir tout mouvement pendant le transport.




RANGEMENT


Les mesures suivantes doivent être prises pour préparer la tondeuse à gazon en vue de son rangement.

- Retirez les blocs-piles de la tondeuse et rangez-les dans un endroit frais et sec.
- Retirez la clé de sécurité de la tondeuse.
- Nettoyez méticuleusement la tondeuse. Voir la section de ce mode d'emploi intitulée « **NETTOYAGE DE LA MACHINE** » pour référence.
- Inspectez la tondeuse pour vous assurer qu'il n'y a pas de pièces usées ou endommagées, et resserrez tous les écrous ou vis qui avaient pu se desserrer.
- Rangez la tondeuse dans un endroit sec et propre. Ne la rangez pas à côté de matériaux corrosifs tels que des engrais ou du sel gemme.
- Rangez la tondeuse dans un endroit couvert et fermé, hors de portée des enfants.

AVIS : Les emballages en plastique capturent l'humidité autour de la tondeuse, ce qui produit de la rouille et de la corrosion.

RECHERCHE DE LA CAUSE DES PROBLÈMES

PROBLÈME	CAUSE	SOLUTION
<p>La tondeuse électrique à rayon de braquage zéro n'avance pas lorsque les deux leviers de direction sont poussés vers l'avant ou vers l'arrière au début.</p>  L'icône de levier de direction clignote.	<ul style="list-style-type: none"> ■ La charge électrique Ah combinée des piles insérées est inférieure à 15 Ah. ■ La pédale de frein de stationnement est dans la position de freinage. ■ Les leviers de direction ne sont pas dans la position ouverte lorsque vous démarrez la tondeuse. ■ L'opérateur n'est pas assis sur le. ■ L'interrupteur de siège n'est pas connecté correctement. 	<ul style="list-style-type: none"> ■ Pour pouvoir faire démarrer cette tondeuse, des piles EGO de 15 Ah (2 piles BA4200/BA4200T) ou plus au total sont nécessaires. Pour obtenir la meilleure performance possible, nous recommandons l'utilisation de piles EGO avec un total de 30 Ah ou plus. ■ Appuyez à fond sur la pédale du frein de stationnement pour la relâcher de la position de freinage. ■ Remettez les leviers de direction en position ouverte et remettez la tondeuse en marche. ■ L'opérateur ne peut conduire la tondeuse que s'il est assis correctement sur le siège. ■ Retirez la pile de la tondeuse et démontez le siège dans l'ordre inverse des instructions de la section de ce mode d'emploi intitulée « INSTALLATION DU SIÈGE » afin de pouvoir effectuer une inspection pour la connexion de l'interrupteur du siège. Remontez le siège et suivez les instructions de la section de ce mode d'emploi intitulée « DÉMARRAGE DE LA TONDEUSE ÉLECTRIQUE À RAYON DE BRAQUAGE ZÉRO » pour essayer de redémarrer la tondeuse et voir si la tondeuse peut réellement démarrer. Dans le cas contraire, contactez un technicien de maintenance qualifié pour la réparation.
<p>La tondeuse électrique à rayon de braquage zéro cesse d'avancer.</p>	<ul style="list-style-type: none"> ■ Les leviers de direction nécessitent une « réinitialisation ». ■ Défaillance des composants du système de contrôle électrique des niveaux de direction. ■ L'interrupteur de siège a tendance à se desserrer pendant la conduite dans des conditions de coupe de l'herbe difficiles. 	<ul style="list-style-type: none"> ■ Remettez les leviers de direction en position ouverte et remettez la tondeuse en marche. ■ Contactez un technicien de maintenance qualifié pour la réparation. ■ Retirez la pile de la tondeuse et démontez le siège dans l'ordre inverse des instructions de la section de ce mode d'emploi intitulée « INSTALLATION DU SIÈGE » pour pouvoir effectuer une inspection de la connexion de l'interrupteur du siège. Remontez le siège et suivez les instructions de la section de ce mode d'emploi intitulée « DÉMARRAGE DE LA TONDEUSE ÉLECTRIQUE À RAYON DE BRAQUAGE ZÉRO » pour essayer de redémarrer la tondeuse afin de voir si la tondeuse peut alors démarrer. Si elle ne démarre pas, contactez un technicien de maintenance qualifié pour la réparation.
<p>La vitesse de conduite et le mode de conduite ne peuvent pas être changés pendant la conduite.</p>	<ul style="list-style-type: none"> ■ Il s'agit d'une fonctionnalité de la tondeuse électrique à rayon de braquage zéro qui assure une conduite en toute sécurité. 	<ul style="list-style-type: none"> ■ La fonction ne s'activera que lorsque les roues de la tondeuse seront arrêtées et les leviers de direction seront ouverts.


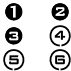


PROBLÈME	CAUSE	SOLUTION
<p>Les lames de la tondeuse électrique à rayon de braquage zéro ne fonctionnent pas lorsque l'interrupteur de prise de force est engagé.</p>  <p>L'icône de l'interrupteur de prise de force clignote.</p>	<ul style="list-style-type: none"> ■ La charge électrique Ah combinée des piles insérées est inférieure à 15 Ah. ■ L'interrupteur de prise de force n'a pas été assez enfoncé la dernière fois que la tondeuse a été arrêtée. ■ La tondeuse est en état de surcharge au moment où les lames commencent à fonctionner, ce qui déclenche l'activation du système d'autoprotection du moteur. 	<ul style="list-style-type: none"> ■ Pour pouvoir faire démarrer cette tondeuse, des piles EGO de 15 Ah (2 piles BA4200/BA4200T) ou plus au total sont nécessaires. Pour obtenir la meilleure performance possible, nous recommandons l'utilisation de piles EGO avec un total de 30 Ah ou plus. ■ Appuyez sur l'interrupteur de prise de force (en poussant vers le bas) et remettez les lames de la tondeuse en marche. ■ Commencez à couper l'herbe avec la tondeuse à la vitesse de fonctionnement des lames la plus basse possible, et n'augmentez pas la vitesse avant que la rotation des lames soit devenue satisfaisante.
<p>Les lames cessent de fonctionner pendant la coupe de l'herbe.</p>	<ul style="list-style-type: none"> ■ La tondeuse est en état de surcharge. ■ Le châssis de la tondeuse est encombré par de l'herbe et des débris. ■ La tondeuse est en état de surchauffe. ■ Le bloc (s) de batterie dans la batterie de la tondeuse surchauffe du compartiment, Ah combiné des batteries insérées est inférieur à 15Ah. La tondeuse cesse de fonctionner. ■ La tondeuse est dans le mode de fonctionnement dégradé. ■ -La tondeuse a heurté un corps étranger, ce qui a provoqué l'activation du système d'autoprotection du moteur. 	<ul style="list-style-type: none"> ■ Élevez la hauteur de coupe du châssis ou ralentissez la vitesse de conduite pour réduire la charge de la tondeuse. ■ Nettoyez le châssis de la tondeuse et assurez-vous que la lame tourne librement. ■ Élevez la hauteur de coupe du châssis ou ralentissez la vitesse de conduite ou de rotation des lames pour réduire la charge de la tondeuse. Faites une pause et laissez la tondeuse refroidir. ■ 1. La tondeuse peut continuer à travailler si le Ah combiné des batteries insérées sauf le la batterie surchauffée est égale ou supérieure à 15Ah. Une fois que la batterie surchauffée revient à la normale température, il se joindra à l'alimentation de la tondeuse immédiatement. 2. Si le Ah combiné des batteries insérées est inférieur que 15Ah., la tondeuse ne fonctionnera pas avant plus des batteries normales sont insérées dans la batterie compartiments. 3. Réduisez la charge de la tondeuse, par exemple en hauteur de coupe du plateau ou ralentissement de la tonte lors de la remise en service de la tondeuse. ■ Lorsque la tondeuse est dans le mode de fonctionnement dégradé, les lames passent automatiquement à la vitesse de rotation basse sans couper d'herbe. L'opérateur doit alors arrêter de travailler et retourner dès que possible à l'endroit où il peut recharger les piles. ■ Appuyez sur l'interrupteur de prise de force (en poussant vers le bas) et remettez les lames de la tondeuse en marche.

PROBLÈME	CAUSE	SOLUTION
L'indicateur sonore continue à émettre des bips.	<ul style="list-style-type: none"> ■ La tondeuse est dans le mode de fonctionnement dégradé et les lames ne sont pas désactivées. ■ La tondeuse cesse de rouler sur une pente et l'opérateur ouvre les leviers de direction et quitte le siège sans mettre la pédale de frein de stationnement en position de freinage. 	<ul style="list-style-type: none"> ■ Appuyez sur l'interrupteur de prise de force (en poussant vers le bas) pour désengager les lames du châssis. L'indicateur sonore cessera d'émettre des bips lorsque la lame se sera arrêtée. ■ Mettez la pédale du frein de stationnement dans la position de freinage avant de descendre de la tondeuse si elle est sur un terrain en pente.
Les indicateurs d'état de charge des piles restent allumés lorsque la tondeuse est mise hors tension.	<ul style="list-style-type: none"> ■ Lorsque la tondeuse est mise hors tension sur un terrain plat sans que les blocs-piles ne soient retirés de la tondeuse, les indicateurs d'état de charge des piles restent allumés pendant trois minutes. ■ Lorsque la tondeuse est mise hors tension sur un terrain en pente sans que le frein de stationnement ne soit mis dans la position de freinage, les indicateurs d'état de charge des piles restent allumés jusqu'à ce que les piles soient complètement déchargées. L'indicateur sonore continue à émettre des bips en même temps. 	<ul style="list-style-type: none"> ■ Aucune action n'est nécessaire. Les indicateurs d'état de charge des piles s'éteindront au bout d'un certain temps. ■ Mettez la pédale du frein de stationnement dans la position de freinage avant de descendre de la tondeuse si elle est sur un terrain en pente.
L'écran ACL ne s'allume pas avec toutes les icônes allumées.	<ul style="list-style-type: none"> ■ L'opérateur n'a pas maintenu le bouton de marche/arrêt enfoncé pendant trois secondes. 	<ul style="list-style-type: none"> ■ L'écran ACL affichera « Fuel Gauge » (Jauge de carburant) après un enfoncement bref du bouton. ■ L'écran ACL s'allumera après que le bouton de marche/arrêt aura été enfoncé pendant trois secondes.
La tondeuse coupe de façon irrégulière, avec une différence de hauteur substantielle depuis l'avant vers l'arrière.	<ul style="list-style-type: none"> ■ Les lames sont émoussées. ■ Les lames sont tordues. ■ Le châssis de la tondeuse n'est pas de niveau, ce qui produit des hauteurs de coupe différentes pour les lames. 	<ul style="list-style-type: none"> ■ Affûtez ou remplacez la lame de coupe en suivant les instructions correspondantes figurant dans ce mode d'emploi. ■ Remplacez la lame de coupe tordue en suivant les instructions de la section de ce mode d'emploi intitulée « REPLACEMENT DES LAMES DE COUPE ». ■ Mettez le châssis de la tondeuse de niveau en suivant les instructions de la section de ce mode d'emploi intitulée « MISE À NIVEAU DU CHÂSSIS DE LA TONDEUSE ».
La hauteur de coupe réelle de l'herbe n'est pas alignée sur la hauteur sélectionnée.	<ul style="list-style-type: none"> ■ Les écrous de fixation du châssis de la tondeuse sont desserrés sur la biellette de suspension (voir Fig. 32). ■ Le châssis de la tondeuse est sérieusement endommagé ou excessivement usé. 	<ul style="list-style-type: none"> ■ Suivez les instructions de la section de ce mode d'emploi intitulée « MISE À NIVEAU DU CHÂSSIS DE LA TONDEUSE » afin de pouvoir réaliser le réglage correct d'avant en arrière pour le châssis de la tondeuse et serrer de façon sécurisée les quatre écrous de fixation de la biellette de suspension (deux de chaque côté). ■ Suivez les instructions de la section de ce mode d'emploi intitulée « RETRAIT DU CHÂSSIS DE LA TONDEUSE » pour remplacer le châssis de la tondeuse.
La tondeuse ne déchiquette pas correctement.	<ul style="list-style-type: none"> ■ Des déchets de tonte mouillés adhèrent au dessous du châssis. ■ La tondeuse est paramétrée pour couper trop d'herbe à la fois. 	<ul style="list-style-type: none"> ■ Attendez que l'herbe sèche avant de désobstruer la tondeuse. ■ Élevez la hauteur de coupe du châssis.

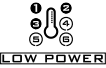


PROBLÈME	CAUSE	SOLUTION
Les vibrations sont excessives.	<ul style="list-style-type: none"> ■ Les lames de coupe ne sont pas assez serrées. ■ Les lames sont tordues. ■ Le châssis de la tondeuse n'est pas de niveau. ■ Les écrous de fixation du châssis de la tondeuse sont desserrés sur la biellette de suspension (Fig. 32). ■ La tondeuse est paramétrée pour couper trop d'herbe à la fois. 	<ul style="list-style-type: none"> ■ Serrez le boulon de fixation de la lame au couple recommandé : 50-55 Nm / 36-41 pi-lb. ■ Remplacez la lame de coupe tordue en suivant les instructions de la section de ce mode d'emploi intitulée « REMPLACEMENT DES LAMES DE COUPE ». ■ Mettez le châssis de la tondeuse de niveau en suivant les instructions de la section de ce mode d'emploi intitulée « MISE À NIVEAU DU CHÂSSIS DE LA TONDEUSE ». ■ Utilisez une clé à fourche de 18 mm / 23/32 po (non fournie) pour serrer les quatre écrous de fixation de la biellette de suspension (deux pour chaque côté). ■ Élevez la hauteur de coupe du châssis.
Il reste de l'herbe ou des débris sur le sol après le passage de la tondeuse.	<ul style="list-style-type: none"> ■ La tondeuse est paramétrée pour couper trop d'herbe à la fois lorsque l'herbe est haute. ■ L'herbe est mouillée. ■ La vitesse de conduite est élevée. ■ La vitesse de rotation de la lame est basse. 	<ul style="list-style-type: none"> ■ Commencez par une hauteur de coupe élevée et réduisez-la jusqu'à ce que le résultat de la tonte désirée ait été atteint. L'herbe de plus de 15 cm / 6 po de haut doit être tondu deux fois, la deuxième fois à une hauteur de coupe inférieure. ■ Ne tondez pas lorsque l'herbe est mouillée ; attendez qu'elle sèche. ■ Ralentissez la vitesse de conduite. ■ Accélérez progressivement la vitesse de rotation de la lame.
L'autonomie de fonctionnement de la tondeuse avec la pile incluse est courte.	<ul style="list-style-type: none"> ■ L'état de l'herbe et le réglage de la hauteur de coupe affectent dans une large mesure l'autonomie de fonctionnement de la tondeuse à piles. L'autonomie indiquée est basée sur des conditions de charge légère. 	<ul style="list-style-type: none"> ■ Élevez la hauteur de coupe du châssis et ralentissez la vitesse de rotation des lames pour réduire la charge de coupe.
La tondeuse n'avance pas en ligne droite.	<ul style="list-style-type: none"> ■ La pression des pneus est différente pour les roues arrière de gauche et de droite. ■ La vitesse de conduite est différente pour les roues arrière de gauche et de droite. 	<ul style="list-style-type: none"> ■ Vérifiez la pression de l'air dans les pneus des deux roues arrière conformément à la recommandation figurant dans la section de ce mode d'emploi intitulée « CONTRÔLE DE LA PRESSION DES PNEUS ». ■ Étalonnez le système de suivi de la tondeuse en suivant les instructions de la section de ce mode d'emploi intitulée « ÉTALONNAGE DU SYSTÈME DE SUIVI DE LA TONDEUSE ».
La pédale de frein de stationnement ne peut pas être relâchée de la position de freinage, ou elle rebondit avec du retard.	<ul style="list-style-type: none"> ■ Il se peut qu'il y ait des débris ou des saletés à l'intérieur de la pédale de frein de stationnement. 	<ul style="list-style-type: none"> ■ Ouvrez la boîte de la pédale du frein de stationnement pour nettoyer méticuleusement l'intérieur de la boîte, puis fermez la boîte. Réinitialisez la pédale de frein de stationnement pour voir si le problème a été résolu. Si ce n'est pas le cas, contactez un technicien de maintenance qualifié pour la réparation.





PROBLÈME	CAUSE	SOLUTION
La tondeuse ne peut pas être chargée par le port de charge et le voyant indicateur de l'état de charge de la tondeuse brille continuellement en rouge.	<ul style="list-style-type: none"> ■ La fiche du chargeur n'est pas insérée correctement dans le port de charge de la tondeuse. ■ Il n'y a pas de courant dans les prises de courant murales. ■ Le chargeur est défectueux. ■ Le port du chargeur sur la tondeuse est défectueux. 	<ul style="list-style-type: none"> ■ Reconnectez la fiche du chargeur pour voir si la tondeuse peut être chargée normalement. ■ Aucune action n'est nécessaire. Attendez que le courant revienne. ■ Contactez un technicien de maintenance qualifié pour faire une inspection et faites remplacer le chargeur si nécessaire. ■ Contactez un technicien de maintenance qualifié pour la réparation.
Le temps de charge par le port de charge de la tondeuse est trop long.	<ul style="list-style-type: none"> ■ Le chargeur n'est pas approprié. 	<ul style="list-style-type: none"> ■ Nous recommandons un chargeur EGO CHV1600/CHV1600-FC pour charger directement la tondeuse électrique à rayon de braquage zéro.
La pile ne peut pas être chargée complètement par le port de charge de la tondeuse.	<ul style="list-style-type: none"> ■ La pile ou le chargeur est défectueux. 	<ul style="list-style-type: none"> ■ L'indicateur d'état de fonctionnement de la tondeuse brille continuellement en rouge lorsque le chargeur est défectueux, alors qu'il est éteint lorsque c'est la pile qui est défectueuse.
Il n'est pas possible de faire démarrer la tondeuse après l'avoir nettoyée.	<ul style="list-style-type: none"> ■ Nettoyage incorrect, par exemple, nettoyage avec de l'eau sur les composants électriques, l'écran ACL, etc. 	<ul style="list-style-type: none"> ■ Suivez les instructions des sections intitulées « MAINTENANCE GÉNÉRALE » et « NETTOYAGE DE LA MACHINE » pour nettoyer correctement la tondeuse. N'UTILISEZ PAS D'EAU ! Évitez de pulvériser de l'eau sur les composants électriques. ■ S'il pleut accidentellement sur la tondeuse, laissez-la sécher pendant plus de 12 heures ou utilisez de l'air comprimé pour la sécher.
La tondeuse est facilement obstruée.	<ul style="list-style-type: none"> ■ Le châssis de la tondeuse est encombré par de l'herbe et des débris. 	<ul style="list-style-type: none"> ■ Nettoyez le plateau de la tondeuse après chaque utilisation en suivant les instructions de la section intitulée « Utilisation du port de lavage pour nettoyer le plateau de la tondeuse ».
La tondeuse dérape facilement quand elle est utilisée pour monter sur un sol en pente.	<ul style="list-style-type: none"> ■ Les pneus des roues arrière sont usés. 	<ul style="list-style-type: none"> ■ Faites appel à un service de maintenance local pour remplacer les pneus des roues ou lorsque la roue elle-même est endommagée, remplacez la roue arrière en suivant les instructions de la section intitulée « REMPACEMENT DES ROUES ».
Lorsque la tondeuse est arrêtée sur une pente alors que la pédale de frein de stationnement est enfoncée, la tondeuse peut glisser vers le bas de la pente.	<ul style="list-style-type: none"> ■ Les composants du système de freinage sont excessivement usés en raison d'une utilisation incorrecte de la tondeuse. 	<ul style="list-style-type: none"> ■ Contactez un technicien de maintenance qualifié pour la réparation.

RÉFÉRENCE RELATIVE AU CODE D'ERREUR ET À L'INDICATEUR D'ÉTAT DE FONCTIONNEMENT

Écran LCD	Description	Code d'erreur sur l'écran ACL	Indicateur de charge à DEL	Indicateur sonore	Cause	Solution
	L'icône de clé de sécurité clignote.	s/o	ÉTEINT	non	La clé de sécurité n'est pas insérée.	Insérez la clé de sécurité, puis appuyez sur le bouton de MARCHE/ARRÊT et maintenez-le enfoncé pendant plus de trois secondes pour mettre la tondeuse en marche.
	L'icône indiquant un compartiment des piles vide clignote.	s/o	ÉTEINT	non	La capacité des piles n'est pas suffisante pour permettre de conduire la tondeuse afin d'aller travailler.	Pour pouvoir faire démarrer cette tondeuse, des piles EGO de 15 Ah (2 piles BA4200/BA4200T) ou plus au total sont nécessaires. Pour obtenir la meilleure performance possible, nous recommandons l'utilisation de piles EGO avec un total de 30 Ah ou plus.
	L'indicateur de surcharge clignote.	s/o	Clignote en rouge	un bip	Le moteur de la lame est en état de surcharge.	Élevez la hauteur de coupe du châssis ou ralentissez la vitesse de conduite pour réduire la charge de la tondeuse.
	L'icône de thermomètre clignote.	s/o	Clignote en rouge	un bip	La tondeuse est en état de surchauffe.	Élevez la hauteur de coupe du châssis ou ralentissez la vitesse de conduite ou de rotation des lames pour réduire la charge de la tondeuse. Faites une pause et laissez la tondeuse refroidir.

Écran LCD	Description	Code d'erreur sur l'écran ACL	Indicateur de charge à DEL	Indicateur sonore	Cause	Solution
	L'icône de thermomètre et l'icône de compartiment des piles occupé clignotent exactement en même temps.	s/o	ÉTEINT	non	Le bloc-piles dans le compartiment des piles portant le numéro correspondant est en état de surchauffe.	<ol style="list-style-type: none"> 1. La tondeuse peut continuer à travailler si l'Ah combiné de l'inséré batteries sauf les surchauffées la batterie est égale ou supérieure à 15Ah. Une fois le surchauffé la batterie retrouve sa température normale, il se joindra à la mise sous tension la tondeuse immédiatement. 2. Si le Ah combiné du les batteries sont inférieures à 15Ah, le la tondeuse ne fonctionnera que plus des batteries normales sont insérées dans les compartiments de batterie. 3. Réduisez la charge de la tondeuse, comme le soulèvement de la coupe du pont hauteur ou ralentissement de la tonte lors de la remise en service de la tondeuse.
	L'icône de tous les compartiments des piles occupés, l'indicateur de puissance insuffisante et l'icône de charge des piles sur la jauge de carburant clignotent toutes les secondes en même temps sur l'écran ACL. Le dernier segment de l'indicateur de charge et de jauge de carburant à DEL clignote également.	s/o	clignote en rouge	Continue à émettre des bips jusqu'à ce que l'interrupteur de prise de force ait été poussé vers le bas.	Les blocs-piles sont partiellement déchargés et la tondeuse est dans le mode de fonctionnement dégradé.	<p>Arrêtez alors de travailler et retournez dès que possible à l'endroit où vous pouvez recharger les piles.</p> <p>AVIS : Lorsque la tondeuse est dans le mode de fonctionnement dégradé, les lames passent automatiquement à la vitesse de rotation basse sans couper d'herbe, et l'alarme sonore continue à retentir. L'opérateur doit alors appuyer sur l'interrupteur de prise de force (en poussant vers le bas) pour désengager les lames du châssis. L'indicateur sonore cessera d'émettre des bips après l'arrêt des lames.</p>

Écran LCD	Description	Code d'erreur sur l'écran ACL	Indicateur de charge à DEL	Indicateur sonore	Cause	Solution
	L'icône de tous les compartiments de piles occupés et l'indicateur de puissance insuffisante clignotent toutes les demi-secondes.	s/o	ÉTEINT	non	Les blocs-piles sont presque complètement déchargés.	La tondeuse peut continuer à fonctionner si la valeur combinée en Ah des piles insérées (sauf si une pile est en état de surchauffe) est égale ou supérieure à 15Ah. Une fois que la température de la pile en état de surchauffe redevient normale, cette pile recommencera immédiatement à alimenter la tondeuse en énergie électrique.
	L'icône de stationnement automatique clignote sur l'écran ACL.	s/o	ÉTEINT	Continue à émettre des bips.	La tondeuse est garée sur une pente et l'opérateur est descendu de la tondeuse sans activer la pédale de freinage pour la mettre dans la position de freinage, juste avec les leviers de direction dans la position ouverte.	Mettez la pédale de frein de stationnement dans la position de freinage. L'icône de stationnement automatique sera éteinte et l'indicateur sonore n'émettra plus de bips.
	L'icône de pédale de freinage est affichée sur l'écran ACL.	s/o	ÉTEINT	non	La pédale de frein de stationnement est dans la position de freinage.	Relâchez-la avant de mettre la tondeuse en marche.

Écran LCD	Description	Code d'erreur sur l'écran ACL	Indicateur de charge à DEL	Indicateur sonore	Cause	Solution
	L'icône de capteur de siège est affichée sur l'écran ACL.	s/o	ÉTEINT	non	L'opérateur se lève et quitte le siège, ou il y a un problème avec le capteur du siège.	Si l'icône est toujours allumée alors que l'opérateur est assis sur le siège, cessez immédiatement d'utiliser la tondeuse et inspectez la connexion du siège. Si la connexion du siège avec la tondeuse est confirmée comme étant correcte, veuillez faire réparer par un technicien de maintenance qualifié.
	L'icône de l'interrupteur de prise de force clignote.	s/o	ÉTEINT	non	Le fonctionnement du moteur de la lame a été interrompu et l'interrupteur de prise de force n'est pas paramétré dans la position de désactivation.	Avant de remettre la tondeuse en marche, appuyez sur l'interrupteur de prise de force (en poussant vers le bas) pour désengager le moteur du châssis. Veuillez consulter la section de ce mode d'emploi intitulée « RECHERCHE DE LA CAUSE DES PROBLÈMES » pour référence.
	L'icône de levier de direction clignote.	s/o	ÉTEINT	non	Le fonctionnement du moteur de conduite a été interrompu et les leviers de direction ne sont pas paramétrés en position ouverte.	Remettez les leviers de direction en position ouverte et remettez ensuite la tondeuse en marche. Veuillez consulter la section de ce mode d'emploi intitulée « RECHERCHE DE LA CAUSE DES PROBLÈMES » pour référence.
	La flèche de récupération d'énergie clignote alternativement.	s/o	ÉTEINT	non	L'énergie cinétique produite pendant le freinage ou la conduite en descente sur un sol en pente est convertie en électricité pour recharger les blocs-piles.	Il s'agit d'une opération normale. Aucune action n'est nécessaire.

Écran LCD	Description	Code d'erreur sur l'écran ACL	Indicateur de charge à DEL	Indicateur sonore	Cause	Solution	
voir « Code d'erreur ».	Le moteur de conduite de gauche ne produit pas une rotation correcte.	Le moteur de conduite de gauche contrôlé par un ECCI est défaillant.	413	ÉTEINT	un bip	Défaillance de l'ECCI	Faites réparer par un technicien de maintenance qualifié.
		La fiche (fil d'alimentation électrique, triphasé) connectant le moteur de conduite de gauche à l'ECCI correspondant est mal assujettie.	317	ÉTEINT	un bip	Connexion desserrée	Faites réparer par un technicien de maintenance qualifié.
		La fiche (fil transmettant des signaux, six broches) connectant le moteur de conduite de gauche à l'ECCI correspondant est mal assujettie.	301	ÉTEINT	un bip	Connexion desserrée	Faites réparer par un technicien de maintenance qualifié.
		Défaillance du moteur de conduite de gauche.	317	ÉTEINT	un bip	Défaillance du moteur	Faites réparer par un technicien de maintenance qualifié.

Écran LCD	Description	Code d'erreur sur l'écran ACL	Indicateur de charge à DEL	Indicateur sonore	Cause	Solution	
voir « Code d'erreur ».	Le moteur de conduite de droit ne produit pas une rotation correcte.	Le moteur de conduite de gauche contrôlé par un ECCI est défaillant.	313	ÉTEINT	un bip	Défaillance de l'ECCI	Faites réparer par un technicien de maintenance qualifié.
		La fiche (fil d'alimentation électrique, triphasé) connectant le moteur de conduite de droit à l'ECCI correspondant est mal assujettie.	417	ÉTEINT	un bip	Connexion desserrée	Faites réparer par un technicien de maintenance qualifié.
		La fiche (fil transmettant des signaux, six broches) connectant le moteur de conduite de droit à l'ECCI correspondant est mal assujettie.	401	ÉTEINT	un bip	Connexion desserrée	Faites réparer par un technicien de maintenance qualifié.
		Défaillance du moteur de conduite de droit.	417	ÉTEINT	un bip	Défaillance du moteur	Faites réparer par un technicien de maintenance qualifié.
voir « Code d'erreur ».	Le moteur de la lame gauche échoue en rotation	Le moteur de lame de gauche contrôlé par un ECCI est défaillant.	607	n/a	un bip	Défaillance de l'ECCI	Faites réparer par un technicien de maintenance qualifié.
		La fiche (fil d'alimentation électrique, triphasé) connectant le moteur de lame de gauche à l'ECCI correspondant est mal assujettie.	509	n/a	un bip	Connexion desserrée	Inspectez les lames. S'il est desserré, utilisez une clé dynamométrique de 14 mm / 9/16 po pour serrer le boulon dans le sens des aiguilles d'une montre. Le couple recommandé pour le boulon de fixation de la lame est de 50-55 Nm / 36-41 pi-lb. Autrement faites réparer par un technicien de maintenance qualifié.
		Défaillance du moteur de lame de gauche	509	n/a	un bip	Défaillance du moteur	

Écran LCD	Description	Code d'erreur sur l'écran ACL	Indicateur de charge à DEL	Indicateur sonore	Cause	Solution	
voir « Code d'erreur ».	Lame droite le moteur tombe en panne en rotation	Le moteur de lame de droit contrôlé par un ECCI est défaillant.	507	n/a	un bip	Défaillance de l'ECCI	Faites réparer par un technicien de maintenance qualifié.
		La fiche (fil d'alimentation électrique, triphasé) connectant le moteur de lame de droit à l'ECCI correspondant est mal assujettie.	609	n/a	un bip	Connexion desserrée	Inspectez les lames. S'il est desserré, utilisez une clé dynamométrique de 14 mm / 9/16 po pour serrer le boulon dans le sens des aiguilles d'une montre. Le couple recommandé pour le boulon de fixation de la lame est de 50-55 Nm / 36-41 pi-lb. Autrement faites réparer par un technicien de maintenance qualifié.
		Défaillance du moteur de lame de droit	609	n/a	un bip	Défaillance du moteur	
voir « Code d'erreur ».	Défaillance du levier de direction de gauche	Défaillance de l'ECCI contrôlant le levier de direction de gauche	311/412	ÉTEINT	un bip	Défaillance de l'ECCI	Faites réparer par un technicien de maintenance qualifié.
		La fiche connectant l'ECCI de contrôle, située dans la barre de direction, est mal assujettie.				Connexion desserrée	Faites réparer par un technicien de maintenance qualifié.
voir « Code d'erreur ».	Défaillance du levier de direction de droite	Défaillance de l'ECCI contrôlant le levier de direction de droite	411/312	ÉTEINT	un bip	Défaillance de l'ECCI	Faites réparer par un technicien de maintenance qualifié.
		La fiche connectant l'ECCI de contrôle, située dans la barre de direction, est mal assujettie.				Connexion desserrée	Faites réparer par un technicien de maintenance qualifié.

Écran LCD	Description		Code d'erreur sur l'écran ACL	Indicateur de charge à DEL	Indicateur sonore	Cause	Solution
voir « Code d'erreur ».	Défaillance du frein de stationnement ; il n'est plus possible de conduire la tondeuse.	L'ECCI du frein de stationnement, qui est situé dans l'ensemble de cadre avant, est cassé.	309/409	ÉTEINT	un bip	Défaillance de l'ECCI	Faites réparer par un technicien de maintenance qualifié.
		L'interrupteur de frein de stationnement et/ou le fil électrique correspondant, est cassé.	801	ÉTEINT	un bip	Défaillance du fil électrique/de l'interrupteur	
voir « Code d'erreur ».	Défaillance du port de charge		s/o	ROUGE constant	s/o	Le port de charge est dans un circuit ouvert.	Faites réparer par un technicien de maintenance qualifié.
			s/o	ROUGE constant	s/o	Il n'y a pas d'alimentation électrique.	Inspectez la prise murale pour déterminer si une tension de 120 V est fournie ou pour confirmer que la prise est en bon état.
			s/o	ROUGE constant	s/o	Le fusible est grillé.	Faites réparer par un technicien de maintenance qualifié.
voir « Code d'erreur ».	Défaillance du port de charge		204	n/a	un bip	Le chargeur ou le port de charge est cassé.	Faites réparer par un technicien de maintenance qualifié.

Écran LCD	Description	Code d'erreur sur l'écran ACL	Indicateur de charge à DEL	Indicateur sonore	Cause	Solution
voir « Code d'erreur ».	L'ensemble de boîte de piles de la tondeuse est sans travail	217	n/a	un bip	La source d'alimentation électrique de l'ensemble de boîte de piles est cassée. Les phares à DEL et la connexion USB ne fonctionnent pas.	Faites réparer par un technicien de maintenance qualifié.
		310/410	ÉTEINT	un bip	La connexion entre les fils de type C de l'ensemble de boîte de piles et d'autres fils de type C de la tondeuse est dysfonctionnelle.	Faites réparer par un technicien de maintenance qualifié.
		201/202/203	ÉTEINT	un bip	Le SGP de l'ensemble de boîte de piles est cassé.	Faites réparer par un technicien de maintenance qualifié.
voir « Code d'erreur ».	Start/stop Switch Fault	314/414	ÉTEINT	one beep	Défaillance de l'ECCI de l'interrupteur ou mauvaise connexion des fils de l'interrupteur de marche/arrêt	Faites réparer par un technicien de maintenance qualifié.
voir « Code d'erreur ».	LCD Screen Fault	315/415	ÉTEINT	one beep	L'ensemble d'écran ACL est cassé ou il existe une mauvaise connexion des fils de l'ensemble d'écran ACL.	Faites réparer par un technicien de maintenance qualifié.

GARANTIE

POLITIQUE D'EGO EN MATIÈRE DE GARANTIE

Garantie limitée de 5 ans sur les équipements d'alimentation électrique d'extérieur EGO POWER+ et les équipements d'alimentation électrique portable pour un usage personnel et domestique.

Garantie limitée de 3 ans sur les blocs-piles et chargeurs du système EGO POWER+ pour un usage personnel et domestique. Une extension de garantie supplémentaire de deux ans s'applique à la pile de 10,0 Ah, qu'elle soit vendue séparément (Modèle N° BA5600T) ou incluse avec un outil quelconque, à condition d'être enregistrée dans les 90 jours de l'achat. Garantie limitée de cinq ans sur le chargeur CHV1600, conçu pour être employé avec la tondeuse à conducteur porté à rayon de braquage zéro pour utilisation personnelle, résidentielle.

Garantie limitée de 2 ans/1 an sur les équipements d'alimentation électrique d'extérieur, les équipements d'alimentation électrique portables, les blocs-piles et les chargeurs EGO pour un usage professionnel et commercial.

Les périodes de garantie détaillées de chaque produit sont indiquées en ligne à l'adresse <http://egopowerplus.com/warranty-policy>.

Veillez contacter le Service clientèle d'EGO en téléphonant au 1-800-346-9876 (800-EGO-ZTRM) (appel gratuit) à tout moment en cas de questions ou si vous voulez vous prévaloir de la garantie.

GARANTIE LIMITÉE

Les produits EGO sont garantis contre tout défaut de matériel ou de fabrication à compter de la date d'achat d'origine pour la période de garantie applicable. Les produits défectueux recevront une réparation gratuite.

- a) Cette garantie ne s'applique qu'à l'acheteur original auprès d'un revendeur agréé EGO, et elle ne peut pas être cédée. Les revendeurs agréés EGO sont identifiés en ligne à l'adresse <http://egopowerplus.com/warranty-policy>
- b) La période de garantie pour les produits remis en état ou certifiés par l'usine utilisés à des fins résidentielles est de 1 an, et de 90 jours lorsqu'ils sont utilisés à des fins industrielles, professionnelles ou commerciales.
- c) La période de garantie pour les pièces d'entretien de routine, telles que, mais sans s'y limiter, le siège de la tondeuse à conducteur porté, les roues, les pneus, les roues anti-scalp, le disque de frein, le bloc de friction, les lames, les têtes de coupe, les barres de chaîne, les chaînes de scie, les courroies, les barres de raclage, les palettes en caoutchouc, les tarières, les patins, les buses de soufflante et tous les autres accessoires EGO est de 90 jours à des fins résidentielles ou de 30 jours à des fins industrielles, professionnelles ou commerciales. Ces pièces sont couvertes pendant 90 ou 30 jours contre tout défaut de fabrication dans des conditions d'utilisation normales.
- d) La présente garantie n'est pas valide si le produit a été utilisé aux fins de location.
- e) La présente garantie ne couvre pas les dommages résultant d'une modification, d'une altération ou d'une réparation non autorisée.
- f) Cette garantie couvre uniquement les défauts survenant dans des conditions normales d'utilisation et ne couvre aucun dysfonctionnement ou défaut ni aucune défaillance découlant d'un usage inapproprié ou abusif (notamment la surcharge du produit et son immersion dans l'eau ou dans tout autre liquide), d'un accident, d'une négligence, d'une installation inadéquate et de tout entretien ou entreposage inadéquat.
- g) La présente garantie ne couvre pas la détérioration normale du fini extérieur, notamment les rayures, les bosselures, les craquelures de la peinture ou toute corrosion ou décoloration résultant de la chaleur, de produits abrasifs ou de nettoyeurs chimiques.

RÉCLAMATION AU TITRE DE LA GARANTIE

Pour faire une réclamation au titre de la garantie, veuillez communiquer avec le service à la clientèle d'EGO au **800-346-9876 (800-EGO-ZTRM)** (numéro sans frais). Lorsque vous faites une réclamation au titre de la garantie, vous devez présenter le reçu de vente original. Un centre de service autorisé sera sélectionné pour la réparation du produit conformément aux conditions de garantie prescrites. Il se peut qu'un petit dépôt soit exigé lorsque vous laissez votre outil dans un centre de service autorisé. Ce dépôt est remboursable lorsque le service de réparation est considéré comme étant couvert par la garantie.

RESTRICTIONS SUPPLÉMENTAIRES

Dans la mesure permise par la loi en vigueur, toutes les garanties implicites, y compris les garanties de QUALITÉ MARCHANDE ou D'ADÉQUATION À UN USAGE PARTICULIER, sont exclues. Toute garantie implicite, y compris la garantie de qualité marchande ou d'adéquation à un usage particulier, qui ne peut être rejetée en vertu de la loi de l'État ou de la province est limitée à la période de garantie applicable définie au début de cet article.

Chervon North America n'est pas responsable des dommages accessoires, consécutifs, indirects ou directs.

Certaines provinces n'autorisent pas les restrictions de durée de garantie implicite, ou l'exclusion ou la restriction des dommages consécutifs et accessoires; c'est pourquoi les restrictions ci-dessus peuvent ne pas s'appliquer à votre cas.

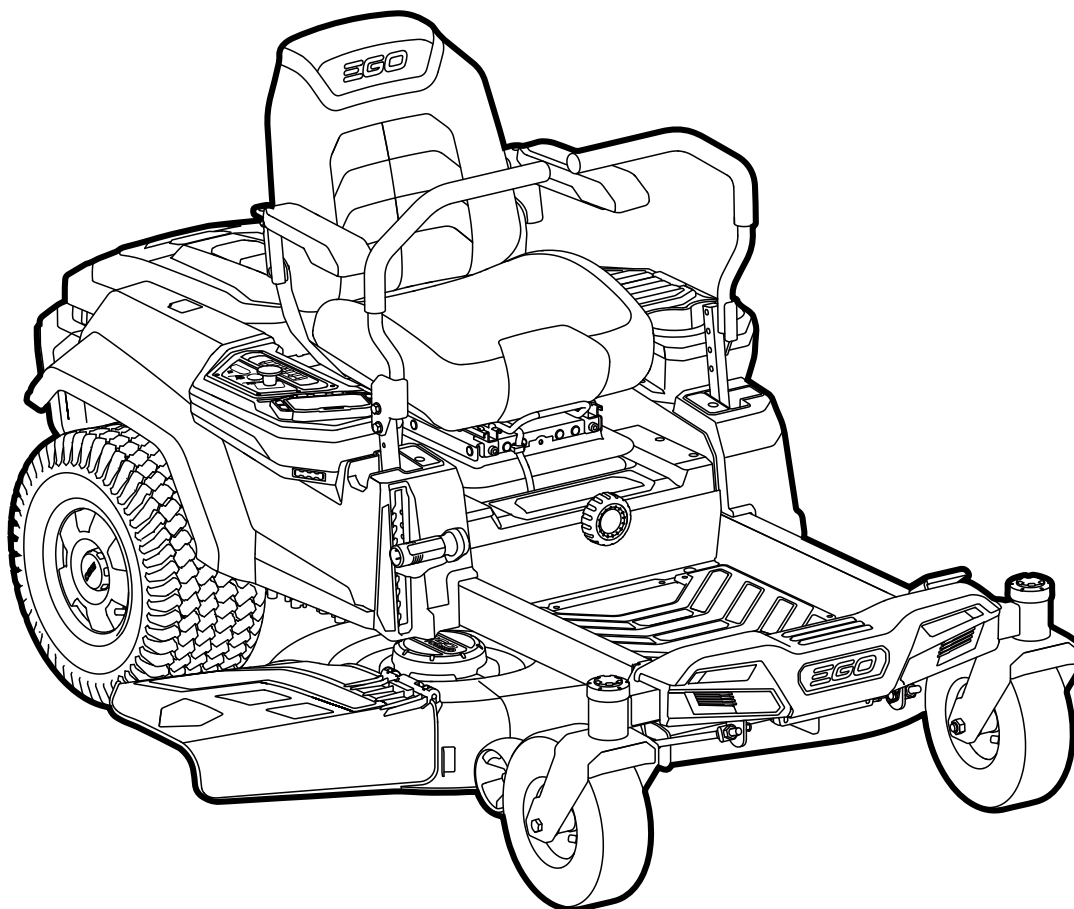
Cette garantie vous confère des droits précis. Il est possible que vous disposiez également d'autres droits, qui varient d'une province à l'autre.

Pour communiquer avec le service à la clientèle, veuillez composer le numéro sans frais suivant : **800-346-9876 (800-EGO-ZTRM)** ou consulter le site Web **EGOPOWERPLUS.COM**.

EGO Customer Service, 769 SEWARD AVE NW / Suite 102 Grand Rapids, MI 49504, États-Unis.

EGO™

POWER⁺ ELECTRIC ZERO TURN MOWER



MANUAL DEL OPERADOR

CORTADORA DE CÉSPED ELÉCTRICA DE ION LITIO CON RADIO DE GIRO CERO DE 56 V

NÚMERO DE MODELO ZT4200L/ZT4200L-FC



ADVERTENCIA: Para reducir el riesgo de lesiones, el usuario debe leer y entender el manual del operador antes de utilizar este producto. Guarde estas instrucciones para referencia futura.

ÍNDICE

Símbolos de seguridad	147
Instrucciones de seguridad	148-150
Prácticas de utilización segura para la cortadora de césped con asiento	151-154
Introducción	155
Especificaciones	155
Accesorios recomendados para la cortadora de césped eléctrica con radio de giro cero	156
Descripción	157-166
Ensamblaje	167-173
Funcionamiento	174-187
Mantenimiento	188-203
Solución de problemas	204-208
Referencia De Los Indicadores De Código De Falla Y Estado	209-217
Garantía	218-219

¡LEA TODAS LAS INSTRUCCIONES!



LEA Y ENTIENDA EL MANUAL DEL OPERADOR

SÍMBOLOS DE SEGURIDAD

La finalidad de los símbolos de seguridad es atraer la atención del usuario hacia posibles peligros. Los símbolos de seguridad y las explicaciones que los acompañan merecen que usted preste una atención detenida y logre una comprensión profunda. Las advertencias con símbolo no eliminan por sí mismas ningún peligro. Las instrucciones y las advertencias que dichas instrucciones dan no son sustitutos de las medidas adecuadas de prevención de accidentes.

⚠ ADVERTENCIA: Asegúrese de leer y entender todas las instrucciones de seguridad incluidas en este manual del operador, incluyendo todos los símbolos de alerta de seguridad, tales como “**PELIGRO**”, “**ADVERTENCIA**” y “**PRECAUCIÓN**”, antes de utilizar esta herramienta. Si no se siguen todas las instrucciones que se indican a continuación, es posible que el resultado sea descargas eléctricas, incendio y/o lesiones corporales graves.

SIGNIFICADO DE LOS SÍMBOLOS

⚠ SÍMBOLO DE ALERTA DE SEGURIDAD: Indica **PELIGRO**, **ADVERTENCIA** o **PRECAUCIÓN**. Se puede utilizar en combinación con otros símbolos o pictogramas.



⚠ ADVERTENCIA: La utilización de cualquier herramienta eléctrica puede hacer que se lancen objetos extraños hacia los ojos del operador, lo cual puede causar daños oculares graves. Antes de comenzar a utilizar una herramienta eléctrica, póngase siempre anteojos de seguridad o gafas de seguridad con escudos laterales y una careta completa cuando sea necesario. Recomendamos una máscara de seguridad de visión amplia para utilizarla sobre gafas o anteojos de seguridad estándar con escudos laterales. Utilice siempre protección ocular que esté marcada para cumplir con la norma ANSI Z87.1.

INSTRUCCIONES DE SEGURIDAD

Esta página muestra y describe los símbolos de seguridad que es posible que aparezcan en este producto. Lea, entienda y siga todas las instrucciones que se encuentran en la máquina antes de intentar ensamblarla y utilizarla.

	Alerta de seguridad	Indica un peligro potencial de lesiones corporales.
	Lea y entienda el manual del operador	Para reducir el riesgo de lesiones, el usuario debe leer y entender el manual del operador antes de utilizar este producto.
	Protección ocular	Use siempre anteojos de seguridad o gafas de seguridad con escudos laterales y una careta completa cuando utilice este producto.
	Realice mantenimiento de los dispositivos de seguridad	No abra ni retire los escudos de seguridad mientras el producto esté en funcionamiento.
	ADVERTENCIA: Mantenga alejadas las manos y los pies	Para reducir el riesgo de lesiones, mantenga las manos y los pies alejados de las piezas que rotan. No utilice el producto a menos que la cubierta de descarga o la bolsa de pasto estén en su lugar correcto. Si hay piezas dañadas, reemplácelas de inmediato.
	PELIGRO: Mantenga alejados a los curiosos	No corte el césped cuando haya cerca niños u otras personas.
	No lleve nunca a niños en la cortadora de césped	No lleve nunca a niños u otras personas en la cortadora de césped, incluso cuando las cuchillas estén desactivadas.
	Mire hacia atrás cuando retroceda.	Mire siempre hacia abajo y hacia atrás antes de maniobrar en reversa o girar y mientras lo esté haciendo. Asegúrese de que los niños, las personas que estén presentes y los animales domésticos estén alejados del área.
	PELIGRO: Riesgo de pendiente pronunciada	Tenga precaución adicional en las pendientes. No corte el césped en pendientes de más de 15 grados. No utilice la máquina en pendientes cerca de agua abierta.
	PELIGRO: Objetos lanzados al aire	Retire los objetos que puedan ser lanzados al aire por la cuchilla en cualquier dirección, Use anteojos de seguridad.
	PELIGRO: Puede precipitarse por el borde o caer al agua	Manténgase a una distancia de al menos dos anchuras de corte (7 pies) de cualquier zanja, desnivel o agua para evitar un accidente al precipitarse por el borde o caer al agua.

	Estacionamiento	Se ilumina cuando el freno de estacionamiento está activado.
	Interruptor de PTO	Activa las cuchillas.
	Botón de arranque/ parada	Después de insertar la llave de seguridad, presione el botón de arranque/parada durante 3 segundos para arrancar la cortadora de césped.
	Botón de ajuste de la velocidad de conducción	Presione “” para aumentar la velocidad de conducción máxima de la cortadora de césped.
	Botón de ajuste de la velocidad de conducción	Presione “” para reducir la velocidad de conducción máxima de la cortadora de césped.
+	Botón de ajuste de la velocidad de las cuchillas	Presione “ + ” para aumentar la velocidad de las cuchillas.
-	Botón de ajuste de la velocidad de las cuchillas	Presione “ - ” para reducir la velocidad de las cuchillas.
	Símbolos de reciclaje	Este producto utiliza baterías de ion litio (ion Li). Es posible que las leyes locales, estatales o federales prohíban la eliminación de las baterías en la basura ordinaria. Consulte a su autoridad local de eliminación de residuos para obtener información sobre las opciones de reciclaje y/o eliminación disponibles.
IPX4	Grado de protección contra la penetración	Protección contra las salpicaduras de agua
V	Voltio	Tensión
A	Amperio	Corriente
Hz	Hertz	Frecuencia (ciclos por segundo)
W	Watt	Potencia
	Corriente continua	Tipo o característica de corriente
mm	Milímetro	Longitud o tamaño
in.	Pulgada	Longitud o tamaño

Ft-lb	Pie-libra	Fuerza de torsión
Nm	Newton-metro	Fuerza de torsión
kg	Kilogramo	Peso
lb	Libra	Peso
°C	Celsius	Temperatura
°F	Fahrenheit	Temperatura
MPH	Millas por hora	Velocidad
km/h	Kilómetros por hora	Velocidad
RPM	Revoluciones por minuto	Velocidad de rotación
PSI	Libras por pulgada cuadrada	Intensidad de presión
kPa	Kilopascal	Intensidad de presión

NOTA: Vea las Fig. 1 y 3 para familiarizarse con los símbolos LCD adicionales y obtener instrucciones de utilización adicionales.

⚠ ADVERTENCIA: Para garantizar la seguridad y la confiabilidad, todas las reparaciones deberán ser realizadas por un técnico de servicio calificado.

PRÁCTICAS DE UTILIZACIÓN SEGURA PARA LA CORTADORA DE CÉSPED CON ASIENTO

⚠ ELIGRO: Esta máquina es capaz de amputar las manos y los pies y lanzar objetos al aire. Si no se siguen las siguientes instrucciones de seguridad, el resultado podría ser lesiones graves o la muerte.

INFORMACIÓN GENERAL

- Lea, entienda y siga las instrucciones y advertencias que se encuentran en este manual y en la máquina y los aditamentos.
- Permita solo operadores que sean responsables, hayan recibido capacitación, estén familiarizados con las instrucciones y sean físicamente capaces de utilizar la máquina.
- No lleve pasajeros y mantenga alejadas a las personas que estén presentes.
- No utilice la máquina mientras esté bajo la influencia del alcohol o las drogas.
- Siga la recomendación del fabricante para los pesos y contrapesos de las ruedas.

PREPARACIÓN ANTES DE LA UTILIZACIÓN

- Despeje el área de utilización de cualquier objeto que podría ser lanzado al aire por la máquina o que podría interferir con el funcionamiento de la misma.
- Mantenga el área de utilización despejada de todos los curiosos, en particular los niños pequeños. Pare la máquina y el aditamento (o los aditamentos) si cualquier persona entra al área.
- No utilice la máquina sin el recogedor de pasto entero, el conducto de descarga u otros dispositivos de seguridad instalados en la posición correcta y funcionando adecuadamente. Compruebe frecuentemente si hay señales de desgaste o deterioro y reemplace las piezas según sea necesario.
- Use equipo de protección personal adecuado, tal como anteojos de seguridad, protección de la audición y calzado de seguridad.

UTILIZACIÓN

- Utilice la máquina únicamente con luz diurna o buena luz artificial.
- Evite los agujeros, surcos, baches, rocas u otros peligros ocultos. El terreno desigual podría voltear la máquina o hacer que el operador pierda el equilibrio o el apoyo de los pies.
- No ponga las manos ni los pies cerca de las piezas que estén rotando debajo de la máquina. Manténgalos alejados de la abertura de descarga en todo momento.
- No dirija el material descargado hacia ninguna persona. Evite descargar material contra una pared u obstrucción. Es posible que el material rebote de vuelta hacia el operador. Detenga la(s) cuchilla(s) cuando cruce superficies con grava.
- No deje desatendida una máquina que esté en funcionamiento. Estacione siempre en terreno nivelado, desacople el aditamento, active el freno de estacionamiento y pare el motor.
- No corte el césped en reversa, a menos que sea absolutamente necesario. Mire siempre hacia abajo y hacia atrás antes de retroceder y mientras retrocede.
- Evite cortar el césped mojado. Una mala base puede causar un accidente de resbalón y caída.
- Si se producen situaciones que no estén cubiertas en este manual, tenga cuidado y aplique un buen criterio. Contacte a Servicio al Cliente de EGO para obtener asistencia.

- Utilice la máquina solo con los paquetes de batería y los cargadores que se indican a continuación:

PAQUETE DE BATERÍAS	CARGADOR
BA1400, BA1400-FC, BA2800, BA2800-FC, BA4200, BA4200-FC, BA1400T, BA1400T-FC, BA2800T, BA2800T-FC, BA4200T, BA4200T-FC, BA5600T, BA5600T-FC	CHV1600, CHV1600-FC

AVISO: Para arrancar esta cortadora de césped con asiento, se requiere utilizar baterías EGO que totalicen 15 Ah (2 XBA4200/BA4200T) o MÁS; para obtener el mejor rendimiento, recomendamos baterías EGO que totalicen 30 Ah o MÁS.

INFORMACIÓN ESPECÍFICA SOBRE NIÑOS

- Pueden ocurrir accidentes trágicos si el operador no está alerta a la presencia de niños. Los niños son atraídos a menudo por la máquina y la actividad de corte de césped. No suponga nunca que los niños permanecerán donde usted los vio por última vez.
- Mantenga a los niños fuera del área de utilización y bajo el cuidado vigilante de un adulto responsable que no sea el operador.
- No lleve a niños en la cortadora de césped, incluso con la(s) cuchilla(s) desactivada(s). Los niños se podrían caer y resultar gravemente lesionados o interferir con el funcionamiento seguro de la máquina. Los niños a los que se haya dado paseos en el pasado podrían aparecer repentinamente en el área de corte para otro dar paseo en la máquina y ser atropellados en avance o reversa de la máquina.

INFORMACIÓN ESPECÍFICA PARA PENDIENTES

⚠ ADVERTENCIA: Las pendientes son un factor importante relacionado con los accidentes. La utilización en pendientes requiere precaución adicional.

- Desplácese en la dirección recomendada en pendientes por el fabricante. Tenga precaución mientras utiliza la máquina cerca de desniveles.
- No utilice la máquina en ninguna situación en la que la tracción, la dirección o la estabilidad estén en cuestión. Las llantas podrían deslizarse incluso si las ruedas están detenidas.
- Mantenga siempre la máquina engranada cuando baje por pendientes. No vaya cuesta abajo por inercia.
- Evite arrancar y parar en pendientes. Evite hacer cambios repentinos de velocidad o dirección. Haga los giros de manera lenta y gradual.
- Tenga cuidado adicional mientras utiliza la máquina con un recogedor de pasto u otro(s) aditamento(s). Estos pueden afectar a la estabilidad de la máquina.

ARRASTRE

- Utilice rampas de anchura completa para cargar y descargar una máquina para transportarla.

TRANSPORTE

- La máquina es pesada y puede causar lesiones graves por aplastamiento. Tenga precaución adicional al cargar la máquina en un vehículo o remolque o descargarla del mismo.
- Utilice rampas de anchura completa para cargar la máquina en un remolque o camión.
- Utilice un remolque aprobado para transportar la máquina. Accione el freno de estacionamiento para fijar las palancas de dirección en la posición abierta y ponga el pedal del freno de estacionamiento en la posición de frenado. Sujete firmemente la máquina con dispositivos aprobados, tales como bandas, cadenas o correas.
- Se deben utilizar correas de amarre tanto delanteras como traseras y se deben dirigir hacia abajo y hacia fuera de la máquina.

⚠ ADVERTENCIA: Tenga precaución extrema cuando cargue la máquina en un camión o remolque utilizando rampas. Existe la posibilidad de que se produzcan lesiones graves o muerte si la máquina se cae de las rampas.

⚠ ADVERTENCIA: El freno de estacionamiento no es suficiente para bloquear la máquina en la posición adecuada durante el transporte. Asegúrese de que la máquina esté bien sujeta al vehículo de transporte. Ponga siempre la máquina en reversa sobre el vehículo de transporte para evitar voltrearla.

- No utilice esta máquina en caminos públicos.
- Consulte los reglamentos de tráfico locales y cumpla con ellos antes de transportar la máquina por carreteras.
- No remolque esta máquina, ya que es posible que cause daños al sistema de propulsión.
- Cargue la unidad en un camión o remolque conduciéndola para que suba por rampas de longitud adecuada utilizando una velocidad lenta. ¡No la levante! La máquina no está diseñada para ser levantada a mano.
- Cuando cargue o descargue esta máquina, no use más que el ángulo de operación máximo recomendado de 15 grados.

REMOLCAJE

- **No remolque un carrito que exceda un peso rodante total de 250 lb (113 kg) y no exceda nunca un peso de lengüeta de 50 lb (22 kg).** El peso del carrito y otras especificaciones se incluyen en el manual del propietario suministrado con su carrito.
- **Conecte el carrito remolcado solo al enganche.** Riesgo de lesiones corporales o daños materiales.
- **No deje nunca que los niños u otras personas estén dentro del carrito ni sobre el mismo.** Riesgo de lesiones corporales.
- **No remolque en pendientes de más de 5 grados / 9%.** Es posible que el peso del carrito remolcado cause pérdida de tracción, pérdida de control y pérdida de la capacidad de detenerse cuando se remolque en una superficie inclinada.
- **Tenga siempre precaución adicional cuando remolque con su cortadora de césped con radio de giro cero.** Haga giros anchos para evitar torcerse. Tenga cuidado cuando cambie a reversa.
- **Conduzca a velocidad baja y deje distancia adicional para detenerse.**
- **No remolque cerca de zanjas, canales y otros peligros.** Hay riesgo de pérdida de tracción o control.
- **Siga todas las advertencias e instrucciones suministradas por el fabricante del carrito.** Si no se siguen todas las instrucciones, es posible que el resultado sea lesiones corporales o daños materiales.
- Siga la recomendación del fabricante para los límites de peso del equipo remolcado y el remolcaje en pendientes. No remolque cerca de zanjas, canales y otros peligros.

SERVICIO DE AJUSTES Y REPARACIONES

⚠ ADVERTENCIA: Los componentes de la bolsa de pasto, la cubierta de descarga lateral y el inserto de trituración están sujetos a desgaste y daños, lo cual podría dejar al descubierto las piezas móviles o permitir que se lancen objetos al aire, con lo cual se podría aumentar el riesgo de lesiones. Por protección de seguridad, compruebe frecuentemente todos los componentes y reemplace inmediatamente los componentes dañados por piezas de repuesto idénticas, indicadas en este manual.

- Mantenga la máquina en buenas condiciones de funcionamiento. Reemplace las piezas desgastadas o dañadas. Compruebe periódicamente el motor y los frenos.
- Tenga precaución cuando haga servicio de ajustes y reparaciones de las cuchillas. Envuelva la(s) cuchilla(s) o use guantes. Reemplace las cuchillas dañadas. No repare ni altere la(s) cuchilla(s).
- Pare siempre el motor y retire o desconecte el paquete de batería antes de realizar servicio de ajustes y reparaciones, efectuar limpieza o retirar material de la cortadora de césped con asiento.
- Después de golpear un objeto extraño, pare el motor, retire el paquete de batería, espere a que la cuchilla deje de rotar e inspeccione minuciosamente la cortadora de césped con asiento para determinar si tiene algún daño. Repare el daño antes de utilizar la cortadora de césped con asiento.
- Haga que su cortadora de césped con asiento reciba servicio de ajustes y reparaciones por un técnico de reparaciones calificado que utilice únicamente piezas de repuesto idénticas. Esto garantizará que se mantenga la seguridad de la cortadora de césped con asiento.
- Siga las instrucciones para cambiar accesorios.
- Mantenga la cortadora de césped con asiento libre de acumulación de grasa, suciedad y otros materiales posiblemente combustibles.
- No retire ni manipule indebidamente nunca los dispositivos de seguridad. Compruebe regularmente si funcionan correctamente. No haga nunca nada para interferir con la función prevista de un dispositivo de seguridad ni para reducir la protección ofrecida por el dispositivo de seguridad.
- Mantenga apretadas todas las tuercas, pernos y tornillos para asegurarse de que la cortadora de césped con asiento esté en condiciones de funcionamiento seguro.
- No retire ni manipule indebidamente nunca los dispositivos de seguridad. Compruebe regularmente si funcionan correctamente. No haga nunca nada para interferir con la función prevista de un dispositivo de seguridad ni para reducir la protección ofrecida por el dispositivo de seguridad.
- Mantenga o reemplace las etiquetas de seguridad e instrucciones según sea necesario.
- Realice las recargas solo con el cargador especificado por el fabricante. Es posible que un cargador que sea adecuado para un tipo de paquete de batería cree un riesgo de incendio cuando se utilice con otro paquete de batería.
- No cargue la cortadora de césped con asiento en la lluvia ni en lugares mojados.
- No utilice la cortadora de césped con asiento alimentada por baterías en la lluvia.
- No lave la cortadora de césped con asiento con una manguera; evite que entre agua en el motor y las conexiones eléctricas.
- Almacene la cortadora de césped con asiento inactiva en un lugar interior. Cuando no se esté utilizando, la cortadora de césped con asiento se deberá almacenar en un lugar interior, seco y cerrado con llave, fuera del alcance de los niños.
- Apague la máquina y retire la llave antes de realizar servicio de ajustes y reparaciones, efectuar limpieza o retirar material de la cortadora de césped con asiento.

GUARDE ESTAS INSTRUCCIONES. Consúltelas frecuentemente y úselas para instruir a otras personas que puedan utilizar esta herramienta. Si le presta esta herramienta a otra persona, préstele también estas instrucciones para evitar un uso incorrecto del producto y posibles lesiones.

INTRODUCCIÓN

Felicitaciones por su selección de una nueva generación de cortadora de césped eléctrica de ion litio con radio de giro cero EGO de 56 V. Esta cortadora de césped ha sido diseñada, concebida y fabricada para ofrecerle a usted la mejor confiabilidad y el mejor rendimiento posibles.

En el caso de que tenga cualquier problema que no pueda resolver fácilmente, sírvase contactar al centro de servicio al cliente de EGO llamando al 1-800-346-9876 (800-EGO-ZTRM).

Este manual contiene información importante sobre el ensamblaje, la utilización y el mantenimiento de manera segura de su cortadora de césped eléctrica con radio de giro cero. Léalo detenidamente antes de utilizar el producto. Mantenga este manual al alcance de la mano para poder consultarlo en cualquier momento.

NÚMERO DE SERIE _____	FECHA DE COMPRA _____
LOS NÚMEROS DE MODELO Y DE SERIE SE ENCONTRARÁN EN UNA ETIQUETA ADHERIDA A UN LADO DEL ÁREA DEL REPOSAPIÉS.	
USTED DEBERÍA ANOTAR TANTO EL NÚMERO DE SERIE COMO LA FECHA DE COMPRA Y MANTENERLOS EN UN LUGAR SEGURO PARA REFERENCIA FUTURA. GUARDE SU RECIBO DE VENTA.	

ESPECIFICACIONES

Tensión	56 V	
Tamaño de la plataforma	42 pulgadas (1067 mm)	
Tamaño de las ruedas	Parte delantera	11 x 4 - 5 pulgadas (279,4 x 101,6 - 127 mm)
	Parte trasera	18 x 8,5 - 8 pulgadas (457,2 x 215,9 - 203,2 mm)
Presión de las llantas frías	Parte delantera	32 PSI (222,1 kPa)
	Parte trasera	7 PSI (48,3 kPa)
Radio de giro	0	
Velocidad de las cuchillas (RPM)	2400, 2600, 2800, 3000, (3200 en modo Turbo)	
Velocidad de conducción máx.	Avance	3 MPH, 5 MPH, 6 MPH, 7 MPH (8 MPH en modo Travel) 4,8 km/h, 8,1 km/h, 9,7 km/h, 11,3 km/h (12,8 km/h en modo Travel)
	Reversa	hasta 3,5 MPH (5,6 km/h)
Proceso de carga	Cargador (opcional)	CHV1600/CHV1600-FC
	Adaptor (Optional)	CHA1000/CHA1000-FC
	Intervalo de temperatura de carga	41 °F – 104 °F (5 °C – 40 °C)
Ajuste de la altura de corte (10 posiciones)	1,5 – 4,5 pulgadas (38,1 – 114,3 mm)	
Peso de remolcaje máx.	250 lb (113 kg)	
Temperatura de funcionamiento	32 °F – 104 °F (0 °C – 40 °C)	
Temperatura de almacenamiento	-4 °F – 158 °F (-20 °C – 70 °C)	
Peso (sin paquete de batería)	408 lb (185 kg)	

ACCESORIOS RECOMENDADOS PARA LA CORTADORA DE CÉSPED ELÉCTRICA CON RADIO DE GIRO CERO

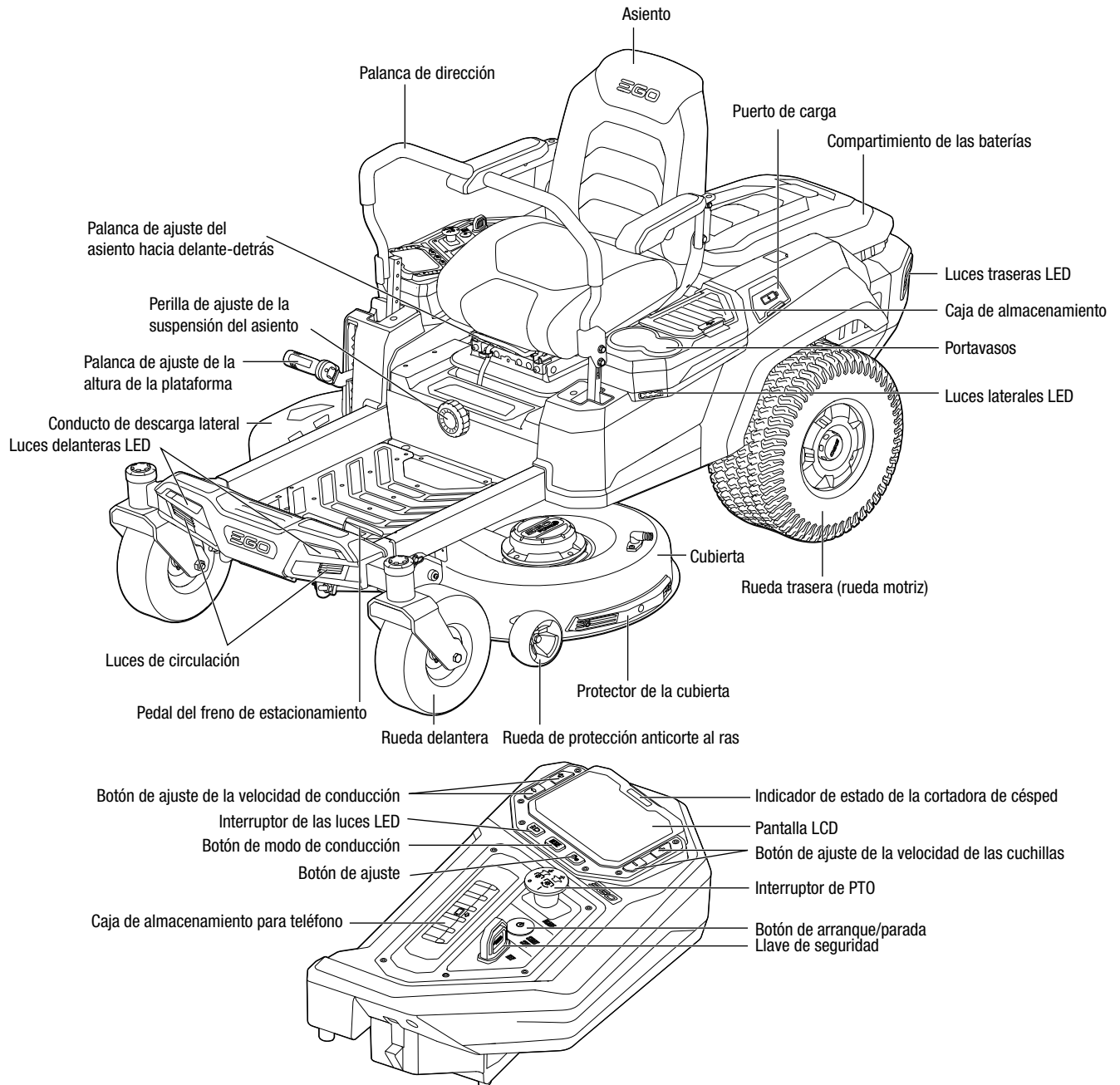
⚠ ADVERTENCIA: Utilice únicamente las piezas de repuesto idénticas que se indican a continuación. Es posible que el uso de piezas que no cumplan con las especificaciones del equipo original cause un rendimiento inadecuado y ponga en peligro la seguridad.

NOMBRE DE LA PIEZA	DESCRIPCIÓN
Cuchilla	AB4200D
Tapón de trituración	AMP4200

DESCRIPCIÓN

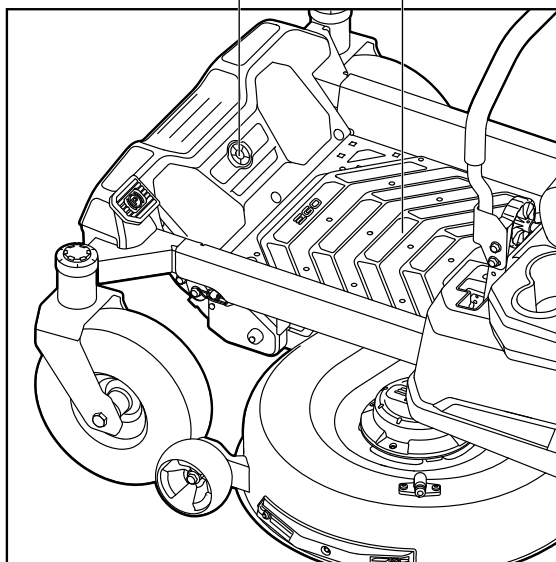
CONOCE TU CORTADORA DE CÉSPED ELÉCTRICA CON RADIO DE GIRO CERO

1

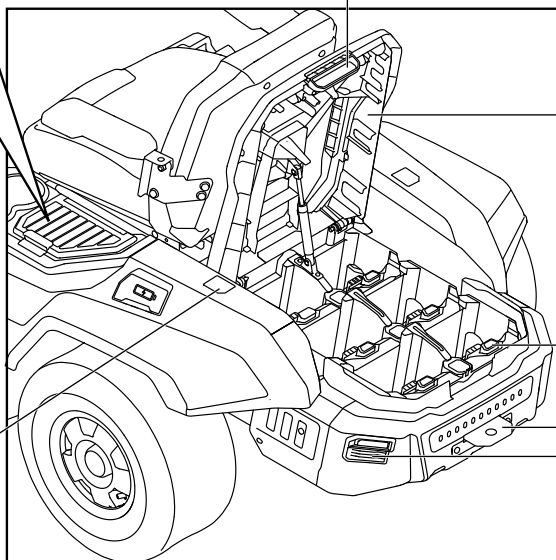


2

Indicador de combustible e indicador de estado LED Área del reposapiés



Botón de liberación de la cubierta de la unidad de energía

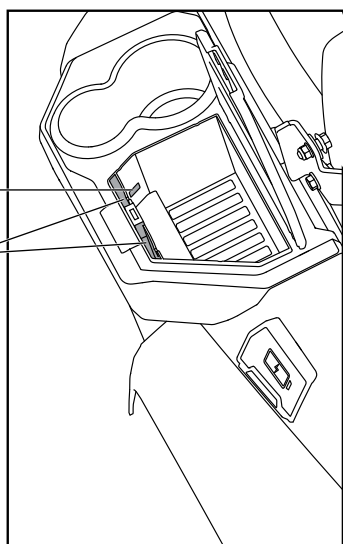


Cubierta de la unidad de energía

Botón de liberación de la batería

Enganche
Luces traseras LED

Puerto de carga USB
Almacenamiento de la cubierta de montaje de accesorios



Cubierta de montaje de aditamentos

⚠ ADVERTENCIA: El uso seguro de este producto requiere entender la información que está en el producto y en este manual del operador, así como tener conocimiento del proyecto que se esté intentando realizar. Antes de utilizar este producto, familiarícese con todas las características de funcionamiento y todas las normas de seguridad.

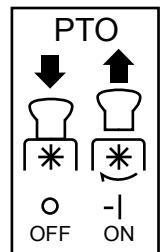
Llave de seguridad

La llave de seguridad se debe insertar antes de presionar el botón de arranque/parada para arrancar la cortadora de césped.

Botón de arranque/parada

Después de insertar la llave de seguridad, presione el botón de arranque/parada durante 3 segundos para arrancar la cortadora de césped.

- La pantalla LCD mostrará **“Fuel Gauge”** (Indicador de combustible) cuando se presione brevemente.
- La pantalla LCD se apagará después de haber presionado el botón de arranque/parada durante 3 segundos



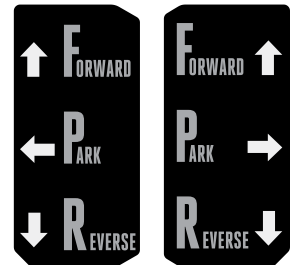
Interruptor de PTO (toma de fuerza)

Activa las cuchillas.

AVISO: No se recomienda activar los motores de la plataforma cuando la plataforma esté sometida a una carga pesada. Suba la plataforma y reactive los motores de la plataforma.

Palanca de dirección

Las palancas de dirección izquierda y derecha controlan la velocidad, la dirección, la detención (posición neutral) y el freno de estacionamiento eléctrico (posición abierta) de la cortadora de césped.



Pedal del freno de estacionamiento

Bloquea la cortadora de césped en la posición de frenado.

Palanca de ajuste del asiento hacia delante-detrás

Utilice la palanca de ajuste del asiento hacia delante-detrás para mover el asiento acolchado alto hacia detrás y hacia delante hasta la posición deseada.

Perilla de ajuste de la suspensión del asiento

Utilice la perilla de ajuste de la suspensión del asiento para ajustar la comodidad dependiendo del peso del operador y el grado de irregularidad del jardín.

Palanca de ajuste de la altura de la plataforma

La palanca de ajuste de la altura de la plataforma sube y baja la plataforma de corte.

Rueda anticorte al ras

Impide que la cubierta entre en contacto con el terreno y corte al ras el césped cuando pase sobre un punto elevado.

Conducto de descarga lateral

Permite que la cuchilla descargue el pasto cortado por la abertura de descarga lateral. El conducto de descarga lateral se instala al enviar la cortadora de césped.

Enganche

Para remolcar carritos y otros aditamentos con ruedas. Consulte el capítulo Remolcaje anteriormente en este manual.

Luces LED delanteras/laterales/traseras

Proporcionan iluminación en condiciones de poca luz y para permitir que se vea la cortadora de césped.

Interruptor de las luces LED

Controla las luces delanteras/laterales/traseras.

Cajas de almacenamiento

- La caja de almacenamiento del lado izquierdo incluye un puerto de carga USB y dos ranuras para las cubiertas de montaje de aditamentos cuando los aditamentos se montan en la cortadora de césped.
- La caja de almacenamiento para teléfono del lado derecho está diseñada para almacenar convenientemente un teléfono móvil.

Cubiertas de montaje de aditamentos

Protegen los sitios de montaje de aditamentos cuando no se están utilizando.

Puerto de carga

Cuando se utiliza con el cargador CHV1600/CHV1600-FC (disponible por separado), permite cargar directamente las baterías montadas en el compartimiento de las baterías.

Puerto de carga USB

El puerto de carga USB proporciona energía de carga de 5 V de CC hasta un consumo combinado de 1,5 A para su teléfono celular, reproductor de MP3 u otros dispositivos USB. Consulte el manual del propietario de su dispositivo para obtener los requisitos de carga específicos.

AVISO:

- Si se intenta cargar dispositivos cuyo consumo combinado exceda 1,5 A, se podrían dañar el puerto de carga USB y/o la cortadora de césped. Cierre siempre la cubierta de la caja de almacenamiento cuando no se esté utilizando, para impedir que se atrapen residuos en el puerto de carga USB.
- El puerto de carga USB solo tiene energía solo cuando la cortadora de césped no está en el modo de carga.

Botón de modo de conducción

Seleccione entre los modos de conducción **CONTROL**, **STANDARD** y **SPORT** presionando secuencialmente el botón de modo de conducción. El modo preestablecido es **STANDARD**.

- **CONTROL:** Menor aceleración, manejo menos sensible y velocidad de giro moderada para proteger el pasto y para usuarios nuevos.
- **STANDARD:** Perfecto para uso diario.
- **SPORT:** Mayor aceleración, manejo preciso y giros pronunciados para maximizar la eficacia de corte y para los entusiastas del corte de césped.

⚠ ADVERTENCIA: El operador deberá estar familiarizado y tener experiencia con el manejo y las operaciones de la cortadora de césped con radio de giro cero antes de utilizar el modo Sport.

Botón de ajuste de la velocidad de conducción

Permite al operador seleccionar una velocidad de conducción cómoda.

- Presione “” para aumentar la velocidad de conducción máxima de la cortadora de césped y presione “” para reducir la velocidad de conducción máxima de la cortadora de césped.
- Presione y mantenga presionado “” durante 3 segundos y la cortadora de césped cambiará al modo “**TRAVEL**”, la velocidad de conducción más alta, para viajar y remolcar. Las cuchillas de la cortadora de césped dejarán de cortar.
- Cuando esté en el modo “**TRAVEL**”, presione “” para volver a la velocidad previa.

AVISO: La velocidad de conducción y el modo de conducción no se pueden ajustar mientras se está conduciendo. La función se activará solo cuando las ruedas de la cortadora de césped estén detenidas y las palancas de dirección estén abiertas.

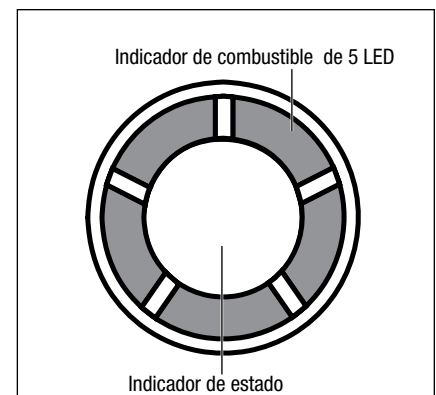
Botón de ajuste de la velocidad de las cuchillas

Permite que el usuario personalice la velocidad de las cuchillas, dependiendo de las condiciones del pasto. El operador puede ajustar la velocidad de las cuchillas mientras corta el pasto. El tiempo de corte del césped aumentará cuando se corte a velocidades más bajas de las cuchillas.

- Presione “+” para acelerar la velocidad de las cuchillas y presione “-” para reducir la velocidad de las cuchillas.
- Presione y mantenga presionado “+” durante 3 segundos y la cortadora de césped cambiará al modo “**TURBO**”, la velocidad más alta de las cuchillas, para trabajar en cualquier condición del pasto.
- Cuando esté en el modo “**TURBO**”, presione “-” y la velocidad de las cuchillas volverá a la velocidad previa.

Saber el Indicador de combustible e indicador de estado LED/indicador de estado de la cortadora de césped

- El indicador de combustible e indicador de estado LED está ubicado en la parte delantera del reposapiés. El círculo del indicador de combustible LED indica el nivel de carga de la batería. El área central indica el estado de la cortadora de césped
- El indicador de estado de la cortadora de césped ubicado en la pantalla LCD mostrará el mismo estado que el área central del indicador de combustible e indicador de estado LED.
- Si el indicador de estado muestra un color verde, la cortadora de césped está lista para ser conducida. Si el indicador de estado parpadea en rojo durante la conducción, la cortadora de césped está sobrecargada o sobrecalentada, o de alguna otra manera en condiciones no deseadas
- Si el indicador de estado está apagado, la cortadora de césped no está lista para que el operador la conduzca. Sírvase consultar la sección “**ARRANQUE DE LA CORTADORA DE CÉSPED ELÉCTRICA CON RADIO DE GIRO CERO**” de este manual para arrancar correctamente la cortadora de césped.
- Cuando la carga de batería disponible sea demasiado baja, la cortadora de césped se pondrá en el modo de funcionamiento reducido. El zumbador sonará, el indicador de estado parpadeará en rojo cada segundo, el primero indicador de combustible LED parpadeará en rojo y tanto el indicador de energía baja como los gráficos de batería ubicados en el indicador de combustible parpadearán. Deje de trabajar y diríjase al área de carga de las baterías lo antes posible.



AVISO: Cuando la cortadora de césped esté en el modo de funcionamiento reducido, las cuchillas se cambiarán automáticamente a una velocidad de rotación baja sin cortar pasto y el zumbador continuará sonando. El operador deberá presionar hacia abajo el interruptor de PTO para desactivar las cuchillas de la plataforma. El zumbador dejará de sonar cuando la cuchilla se detenga.

- Cuando la batería esté casi agotada, solo el primer indicador de combustible LED parpadeará en rojo cada 0,5 segundos y el indicador de energía baja ubicado en la pantalla LCD parpadeará.

Modo de funcionamiento reducido

Cuando la carga de batería disponible sea muy baja, la cortadora de césped se pondrá en el modo de funcionamiento reducido. La distancia máxima que la cortadora de césped puede recorrer es 0,6 millas. El operador deberá dejar de trabajar y dirigirse al área de carga de las baterías lo antes posible.

AVISO: Si es necesario empujar manualmente la cortadora de césped, asegúrese de que las baterías estén desconectadas de la misma.

Sistema de enclavamiento de arranque de seguridad

La cortadora de césped está equipada con un sistema de enclavamiento de arranque de seguridad que consiste en la llave de seguridad, el botón de arranque/parada, el interruptor del pedal del freno de estacionamiento, el interruptor del asiento y el interruptor del puerto de carga.

El sistema de enclavamiento de arranque de seguridad está diseñado para proteger al operador y a las demás personas contra lesiones accidentales debidas a un arranque accidental de la cortadora de césped.

⚠ ADVERTENCIA: Compruebe el sistema de enclavamiento de arranque de seguridad de la cortadora de césped antes de utilizarla. Este sistema es un dispositivo de seguridad importante de la cortadora de césped. Deberá ser reparado inmediatamente si funciona incorrectamente: llame inmediatamente a un centro de servicio al cliente de EGO.

⚠ ADVERTENCIA: El sistema de enclavamiento de arranque de seguridad no se debe desconectar ni puentear. Si se hace eso, el resultado podría ser que la cortadora de césped se ponga en funcionamiento inesperadamente y con ello cause lesiones corporales.

Sonido del indicador (pitidos)

La cortadora de césped eléctrica con radio de giro cero EGO está equipada con un indicador que emite pitidos. Este indicador sonará cuando:

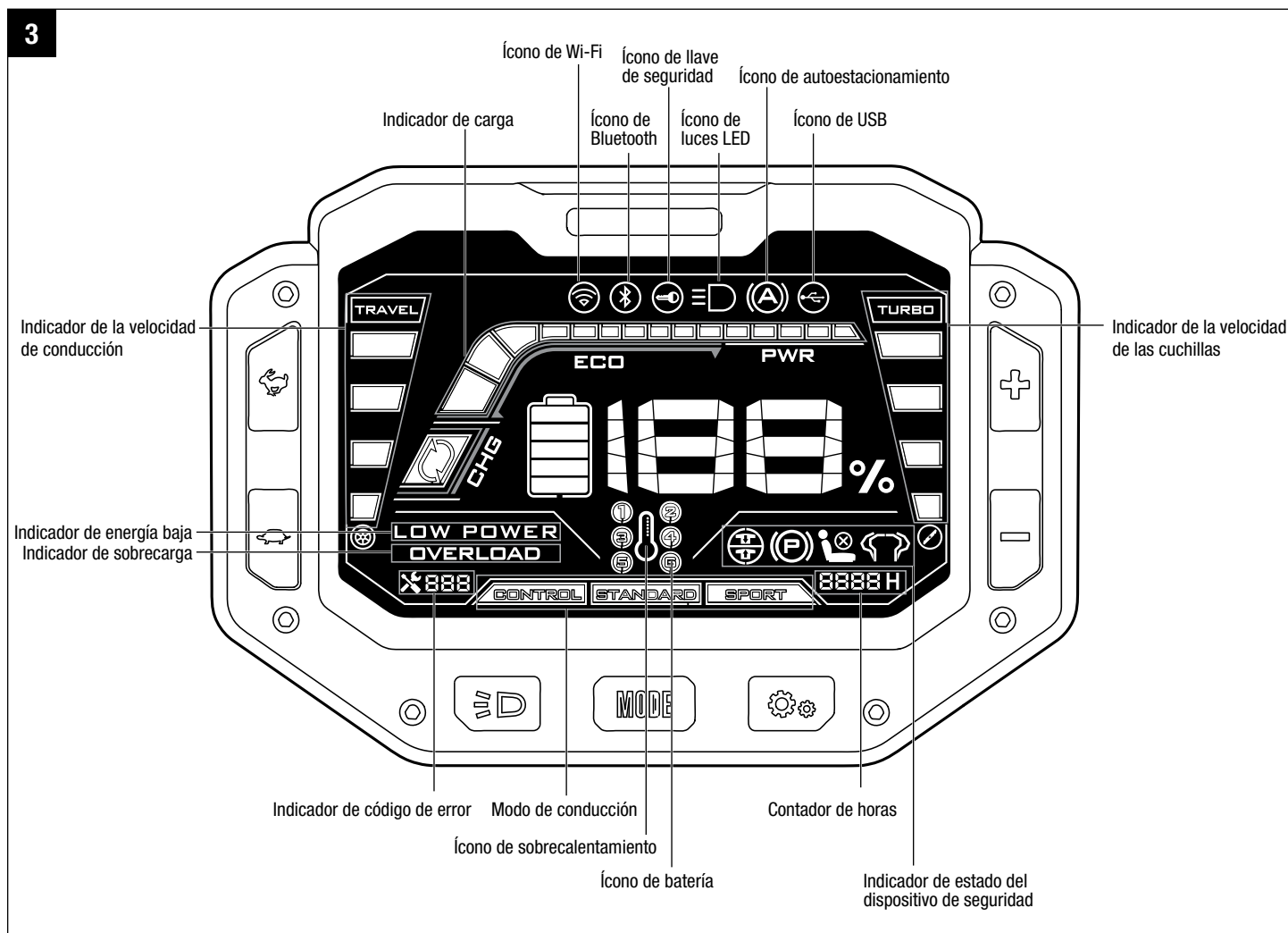
- La cortadora de césped arranque normalmente y la pantalla LED se ilumine con todos los íconos e indicadores. El pitido sonará una vez.
- La cortadora de césped se apague normalmente. El pitido sonará una vez.
- Cuando la carga de batería disponible sea demasiado baja, la cortadora de césped se pondrá en el modo de funcionamiento reducido y el pitido continuará sonando. Cuando el interruptor de PTO se presione hacia abajo, los pitidos dejarán de sonar.
- Cuando la cortadora de césped esté sobrecargada o sobrecalentada, el pitido del zumbador sonará una vez.
- Cuando el código de falla se muestre en la pantalla LCD, el pitido sonará una vez.
- Cuando el interruptor de PTO se jale de nuevo antes de 3 segundos después de presionarlo hacia abajo, el pitido sonará una vez.

- Si la cortadora de césped deja de desplazarse en una pendiente y el operador abre las palancas de dirección y está fuera del asiento sin poner el pedal del freno de estacionamiento en la posición de frenado, los pitidos sonarán continuamente para recordar al operador que active el freno de estacionamiento por motivos de seguridad.

Botón de ajuste

Para calibre el sistema de ajuste de la trayectoria de la cortadora de césped (consulte la sección “**CALIBRE EL SISTEMA DE AJUSTE DE LA TRAYECTORIA DE LA CORTADORA DE CÉSPED**” de este manual) y restablezca la cortadora de césped a la configuración de fábrica inicial (consulte la sección “**RESTABLECIMIENTO DE LA CORTADORA DE CÉSPED A LA CONFIGURACIÓN DE FÁBRICA INICIAL**” de este manual).

CONOZCA LOS ÍCONOS Y LOS INDICADORES DE LA PANTALLA LCD (Fig. 3)



Ícono de WIFI

Se ilumina cuando la cortadora de césped está conectada a una red WIFI.

Ícono de Bluetooth

Se ilumina cuando la cortadora de césped está conectada a un teléfono celular a través de Bluetooth.

Ícono de llave de seguridad

Cuando la llave de seguridad se inserte correctamente antes de utilizar la cortadora de césped, el ícono de llave de seguridad se iluminará. De lo contrario, este ícono seguirá parpadeando como advertencia para indicar al operador que inserte la llave de seguridad.

Ícono de luces LED

Se ilumina cuando las luces LED delanteras/laterales/traseras se han encendido.

Ícono de autoestacionamiento

Cuando la cortadora de césped deja de desplazarse en una pendiente, si el operador ha abierto las palancas de dirección y está fuera del asiento sin poner el pedal del freno de estacionamiento en la posición de frenado, la cortadora de césped se estacionará automáticamente en la pendiente utilizando la energía de la batería. El ícono de autoestacionamiento se iluminará y mientras tanto el indicador emisor de pitidos sonará continuamente.

Ponga el pedal del freno de estacionamiento en la posición de frenado. El ícono de autoestacionamiento se apagará y el indicador emisor de pitidos ya no sonará.

⚠ ADVERTENCIA: Cuando la energía de la batería se haya agotado, la cortadora de césped puede deslizarse hacia abajo por la pendiente, ¡lo cual puede causar daños graves a la cortadora de césped o lesiones corporales graves!

Ícono de USB

Se enciende para indicar que un dispositivo USB puede funcionar después de que el cortacésped se haya iniciado correctamente.

Indicador de carga de trabajo

Indica la carga de trabajo actual de la cortadora de césped. Cuando la carga esté en el intervalo ECO, la cortadora de césped estará bajo carga normal. Cuando la carga esté en el intervalo PWR, la cortadora de césped estará bajo carga pesada. Cuando esté en el intervalo CHG, la cortadora de césped estará en el modo de reciclaje de energía, por ejemplo, al frenar o conducir cuesta abajo.

Indicador de combustible

Indica la capacidad de carga promedio de las baterías insertadas. Se enciende para indicar que un dispositivo USB puede funcionar después de que el cortacésped se haya iniciado correctamente.

Indicador de energía baja

- Cuando la carga de batería disponible sea demasiado baja, la cortadora de césped se pondrá en el modo de funcionamiento reducido. El indicador de energía baja parpadeará cada segundo. El operador deberá dejar de trabajar y dirigirse al área de carga de las baterías lo antes posible.
- Cuando la batería esté casi agotada, el indicador de energía baja parpadeará cada 0,5 segundos.

Indicador de código de falla

El sistema CANbus tomará medidas para proteger al operador y la máquina cuando detecte un problema. Cuando actúe para apagar la máquina o un componente, indicará que ha ocurrido una falla y el código de falla se mostrará en la pantalla LCD. Sírvase consultar la sección “**REFERENCIA DE LOS INDICADORES DE CÓDIGO DE FALLA Y ESTADO**” de este manual como referencia.

Indicador de sobrecarga

Cuando la cortadora de césped esté sobrecargada, el indicador de sobrecarga parpadeará cada segundo. Mientras tanto, tanto el indicador de combustible e indicador de estado LED ubicado en la parte delantera del área del reposapiés como el indicador de estado de la cortadora de césped ubicado en la pantalla LCD parpadearán en ROJO cada segundo. El indicador emisor de pitidos sonará una vez.

Se recomienda que el operador suba la altura de corte de la plataforma para reducir la carga de la cortadora de césped cuando el indicador de sobrecarga parpadee.

Ícono de sobrecalentamiento

- Cuando la batería esté sobrecalentada, el ícono de sobrecalentamiento parpadeará cada segundo y el ícono de batería que representa la batería sobrecalentada parpadeará.

- Cuando la cortadora de césped esté sobrecalentada, el ícono de sobrecalentamiento parpadeará cada segundo. El indicador de combustible e indicador de estado LED ubicado en la parte delantera del área del reposapiés y el indicador de estado de la cortadora de césped ubicado en la pantalla LCD parpadearán en ROJO cada segundo. El indicador emisor de pitidos sonará una vez.

Se recomienda que el operador reduzca la carga de la cortadora de césped subiendo la altura de corte de la plataforma o reduciendo la velocidad de las cuchillas/conducción. Deje que el paquete de batería o la cortadora de césped se enfríen.

Ícono de batería

- Se ilumina cuando la batería esté insertada en el compartimiento de batería correspondiente.
- Cuando el Ah combinado de las baterías insertadas es inferior a 15 Ah, el ícono de batería de todos los compartimientos de batería vacíos parpadeará como recordatorio para indicar al operador que inserte más baterías en el compartimiento de la batería.

Para arrancar esta cortadora de césped, se requieren baterías EGO que totalicen 15 Ah (2 X BA4200/BA4200T) o más. Para obtener el mejor rendimiento, recomendamos usar baterías EGO que totalicen 30 Ah o más.


- Cuando la carga de batería disponible sea demasiado baja, la cortadora de césped se pondrá en el modo de funcionamiento reducido. Los gráficos de batería ubicados en el indicador de combustible y los íconos de batería correspondientes a todas las baterías insertadas correctamente que aparecen en la pantalla LCD parpadearán como recordatorio para indicar al operador que regrese al área de carga lo antes posible. Cuando la cortadora de césped esté en el modo de funcionamiento reducido, las cuchillas se cambian automáticamente a velocidad de rotación baja sin cortar pasto.
- Cuando la batería esté casi agotada, los íconos de batería de todas las baterías insertadas correctamente parpadearán.

Contador de horas


- Muestra el tiempo de conducción total de la cortadora de césped, en horas. Utilice el contador de horas para determinar cuándo la cortadora de césped ha alcanzado los intervalos de servicio recomendados.
- El contador de horas no se puede reajustar.

Indicador del estado del dispositivo de seguridad

“” parpadea para indicar al operador que reajuste el interruptor de PTO.

“” se ilumina cuando el freno de estacionamiento está activado.

“” se ilumina cuando el operador está fuera del asiento

“” parpadea para indicar al operador que reajuste las palancas de dirección en la posición abierta y / o suelte el freno de estacionamiento.

ENSAMBLAJE

⚠ ADVERTENCIA: Para prevenir arranques accidentales que podrían causar lesiones corporales graves, retire siempre el paquete de batería (los paquetes de batería) del producto cuando ensamble piezas, realice limpieza o efectúe mantenimiento.

⚠ ADVERTENCIA: Si hay piezas dañadas o si faltan piezas, no utilice este producto hasta que las piezas hayan sido reemplazadas. El uso de este producto con piezas dañadas o si le faltan piezas podría causar lesiones corporales graves.

⚠ ADVERTENCIA: No intente modificar esta cortadora de césped ni crear accesorios no recomendados para utilizarse con este producto. Cualquiera de dichas alteraciones o modificaciones constituye un uso incorrecto y podría provocar una situación peligrosa que cause lesiones graves.

DESEMPAQUETADO

⚠ ADVERTENCIA: Para reducir el riesgo de lesiones o daños a la cortadora de césped, no utilice un cuchillo para cortar las correas de nylon. Utilice tijeras o cortadores laterales.

⚠ ADVERTENCIA: Para reducir el riesgo de daños, quítese de las muñecas los relojes u otros artículos frágiles y valiosos. Hay riesgo de contacto accidental con los elementos del armazón de acero.

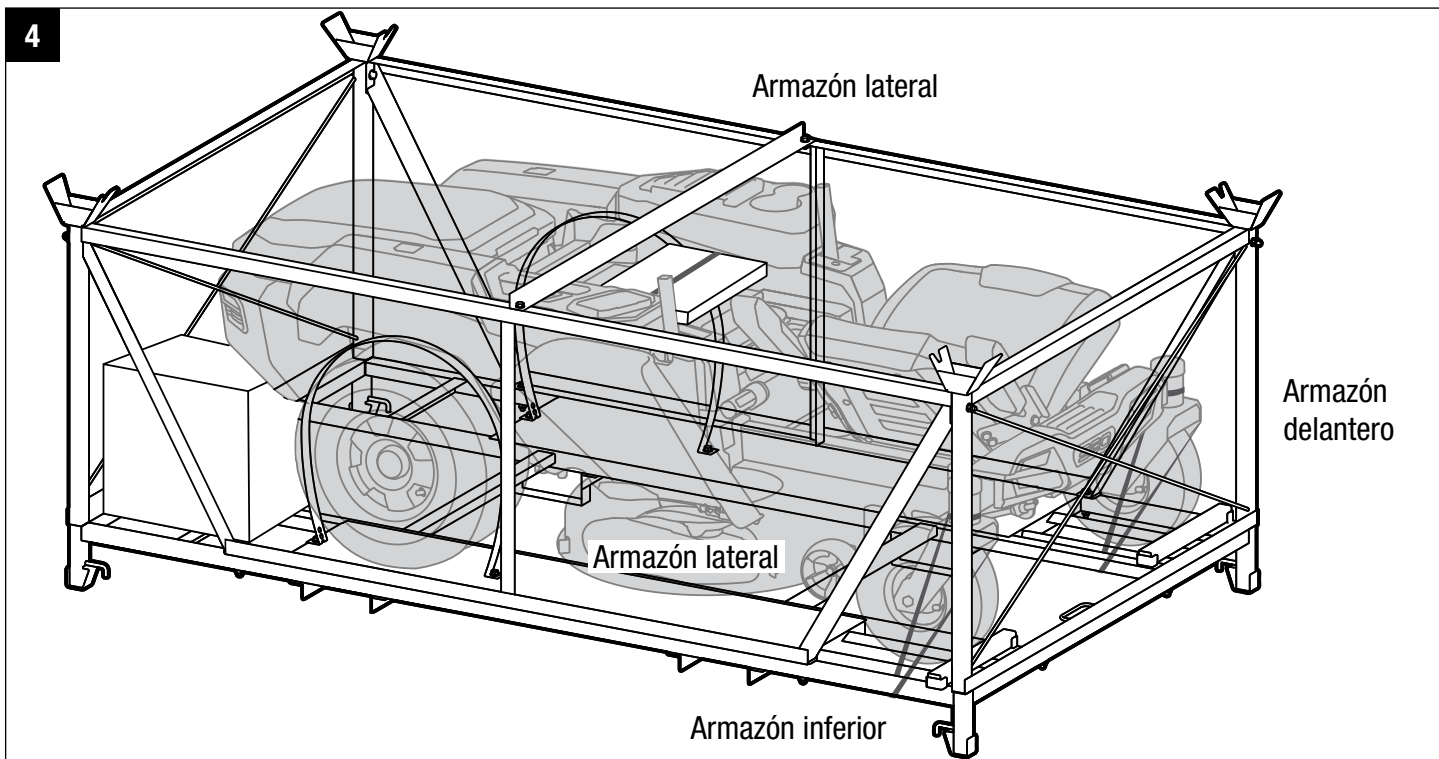
Herramientas recomendadas para desempaquetar (no incluidas):

- Tijeras o alicates de corte lateral.
- Llave de impacto con bocallave de 13 mm.

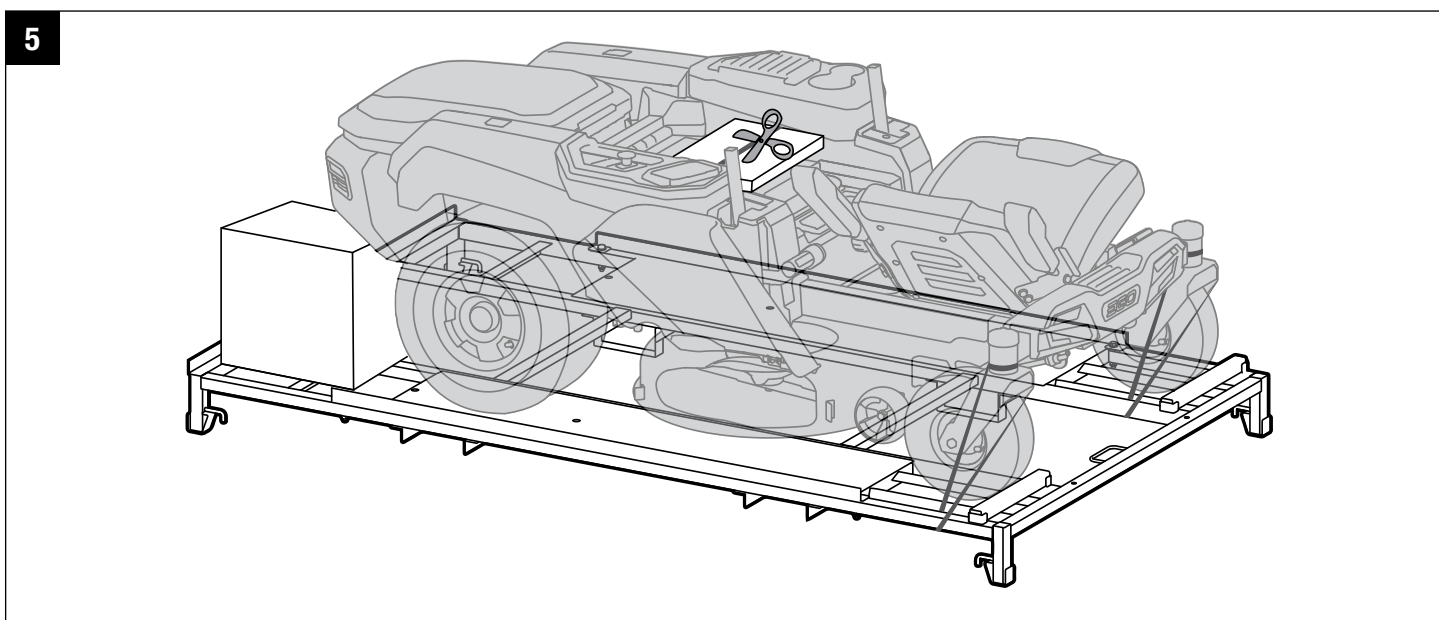
La cortadora de césped eléctrica con radio de giro cero EGO se envía en un armazón de acero, con el asiento y las palancas de dirección empacadas por separado en el armazón de acero. El operador deberá primero sacar la cortadora de césped del armazón de acero y luego montar el asiento y las palancas de dirección en la cortadora de césped de la siguiente manera:

1. Retire la cubierta de plástico de la cortadora de césped.
2. Retire la caja de accesorios ubicada en el área central del asiento de la cortadora de césped y saque las dos llaves de boca abierta que están en el interior.
3. Utilice las dos llaves de boca abierta suministradas para aflojar todos los pernos que fijan el armazón superior, los armazones laterales, el armazón delantero, el armazón trasero y las dos ruedas traseras de la cortadora de césped en el armazón inferior (Fig. 4). Retire los armazones desensamblados y guárdelos en un área segura, evitando causar tropiezos a los transeúntes. Consulte a su autoridad local de eliminación de residuos para obtener información sobre las opciones de reciclaje y/o eliminación de acero disponibles para los armazones.

NOTA: para simplificar y acelerar el proceso, utilice una llave de impacto con una bocallave de 13 mm.

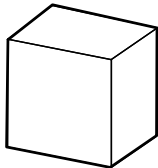
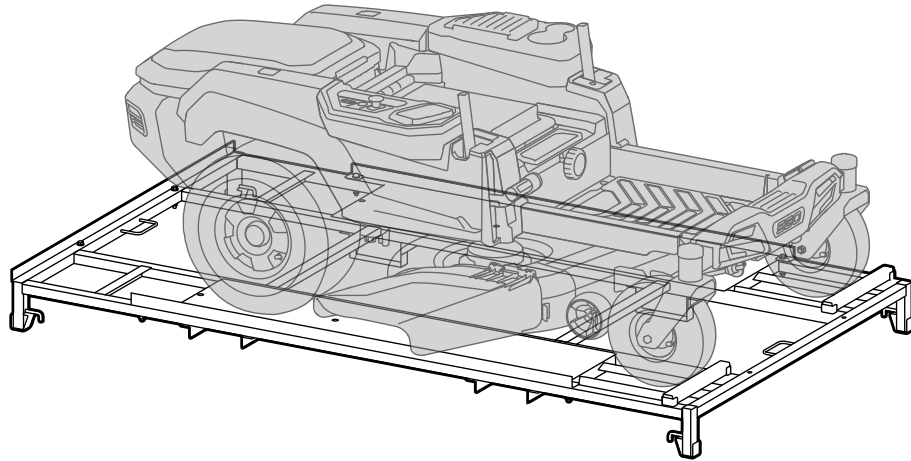


4. Corte las correas de nylon que sujetan las cajas de las baterías/cargador, el asiento, las palancas de dirección, las ruedas delanteras de la cortadora de césped y el conducto de descarga lateral (Fig. 5).

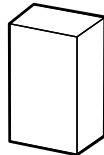


5. Retire primero el ensamblaje del asiento y las dos palancas de dirección de la cortadora de césped y luego retire las cajas de las baterías/cargador del armazón inferior si están incluidas con la cortadora de césped (Fig. 6).

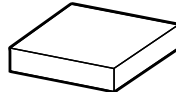
6



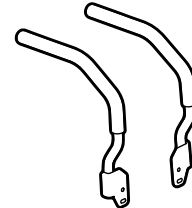
Batería



Cargador



Accesorios



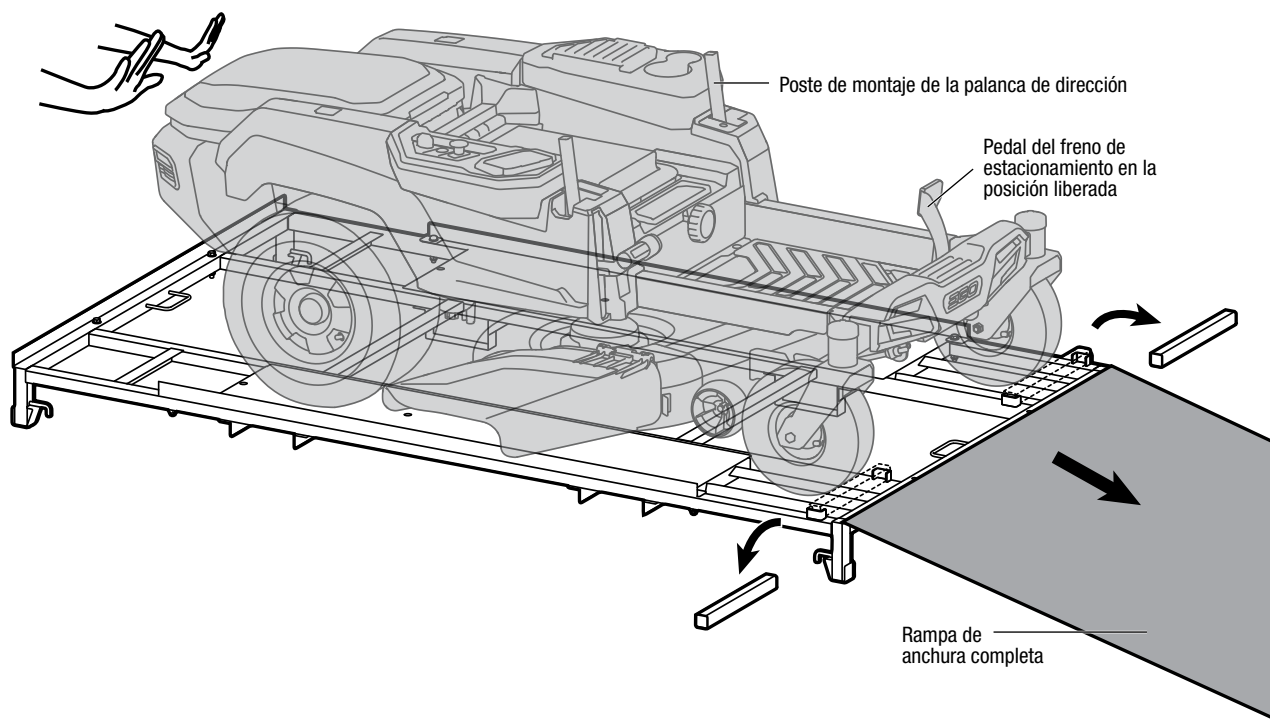
6. Retire y ponga a un lado todos los materiales de empaquetamiento y envolturas accesibles. No deseche los materiales de empaquetamiento hasta que haya inspeccionado detenidamente y utilizado satisfactoriamente el producto.
7. Si se dispone de una rampa, posicione una rampa de anchura completa contra el armazón inferior, cerca de la rueda delantera (Fig. 7). No exceda el ángulo de operación máximo recomendado de 15°.
8. Libere el pedal del freno de estacionamiento para sacarlo de la posición de frenado, Consulte la sección “**ACTIVACIÓN DEL FRENO DE ESTACIONAMIENTO**” de este manual.

NOTA: se requiere un esfuerzo considerable para liberar con la mano el pedal del freno de estacionamiento. Empuje con fuerza.

9. Se requieren dos personas: agarre simultáneamente el poste de montaje de la palanca de dirección y la parte trasera la cortadora de césped a ambos lados y empuje lentamente la cortadora de césped hacia fuera del armazón de acero en dirección hacia delante (Fig. 7).

⚠ PRECAUCIÓN: Objeto pesado. Se requiere empujar en equipo. Se necesitan al menos dos personas para empujar esta cortadora de césped con el fin de retirarla del armazón de acero

7



AVISO: EMPUJE LA CORTADORA DE CÉSPED HACIA DELANTE. Si se jala la cortadora de césped hacia atrás para retirarla del armazón de acero se hará que la cortadora se enganche en el armazón inferior y es posible que dañe la plataforma de corte de la cortadora de césped. **Retire siempre la cortadora de césped separándola del armazón en dirección hacia delante.**

⚠ ADVERTENCIA: No utilice este producto si cualquiera de las piezas incluidas en la lista de empaque ya está ensamblada en el mismo cuando lo desempaque. Las piezas de esta lista no son ensambladas en el producto por el fabricante y requieren instalación por el cliente. La utilización de un producto que pueda haber sido ensamblado incorrectamente podría causar lesiones corporales graves.

- Inspeccione minuciosamente el producto para asegurarse de que no se hayan producido roturas ni daños durante el envío.
- Si alguna pieza está dañada o falta, sírvase contactar a servicio posventa de EGO.

LISTA DE EMPAQUE

NOMBRE DE LA PIEZA		FIGURA	CANTIDAD
Cortadora de césped eléctrica con radio de giro cero			1
Ensamblaje del asiento	Asiento		1
	Tornillos de cabeza hueca		4+2 (Apoyo)
	Llave Allen (6mm)		1
Ensamblaje de las palancas de dirección	Palanca de dirección		2
	Pernos hexagonales		4+2 (Apoyo)
	Llave de boca abierta (13mm)		2
Llaves			2
Acoplador rápido para el puerto de lavado			1
Manual del operador			1

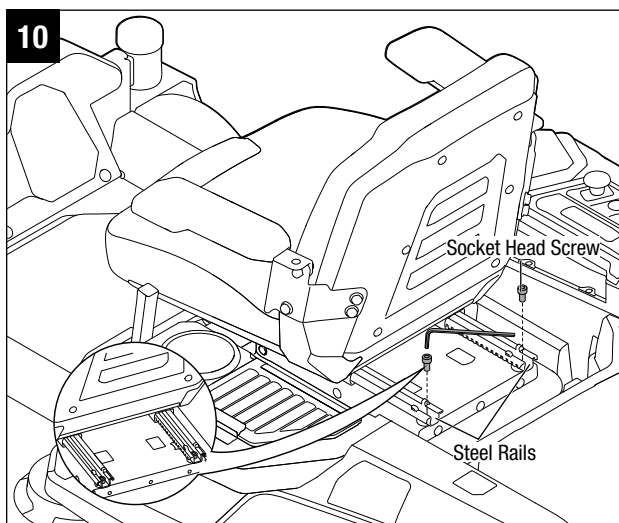
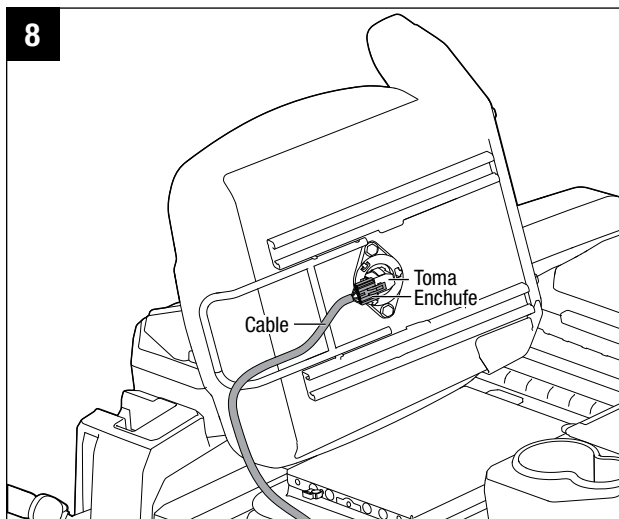
PARA INSTALAR EL ASIENTO

La cortadora de césped incorpora un interruptor del asiento separado que detendrá los motores de propulsión y los motores de la plataforma cuando el operador no esté sentado en el asiento por cualquier motivo mientras la cortadora de césped esté en funcionamiento. Esto es un dispositivo de seguridad para impedir que la cortadora se escape sola o que se produzcan enredos accidentales.

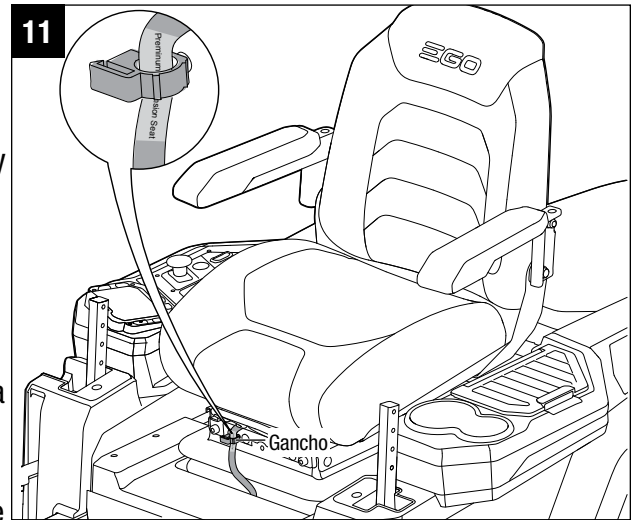
⚠ ADVERTENCIA: El sistema de enclavamiento de seguridad no se debe desconectar ni puentear. Si se hace eso, el resultado podría ser que la cortadora de césped se ponga en funcionamiento inesperadamente y con ello cause lesiones corporales.

1. Saque los cuatro tornillos de cabeza hueca de la caja de accesorios y póngalos a un lado.
2. Acueste el ensamblaje del asiento sobre uno de sus lados e inserte el enchufe del cable en la toma ubicada en la parte trasera del asiento (Fig. 8). Esto conecta el sistema de enclavamiento de seguridad.
3. Rote los dos apoyabrazos hasta las posiciones horizontales. Coloque el asiento en proximidad contra la parte delantera de la base de suspensión. Alinee los dos agujeros de montaje ubicados en el asiento con los agujeros ubicados en la base de suspensión y utilice la llave Allen suministrada para fijarlos juntos con los dos tornillos de cabeza hueca suministrados (Fig. 9).
4. Levante ligeramente la palanca de ajuste del asiento hacia delante-detrás y jale el asiento hacia delante para dejar al descubierto los dos agujeros de montaje del lado trasero ubicados en los rieles de acero del ensamblaje del asiento. Utilice la llave Allen suministrada para apretar completamente los rieles de acero sobre la base de suspensión con los dos tornillos de cabeza hueca restantes (Fig. 10).

⚠ ADVERTENCIA: Cuando termine de apretar los dos tornillos traseros, verifique que no haya espacio entre la parte frontal de los rieles de acero y la base de suspensión.

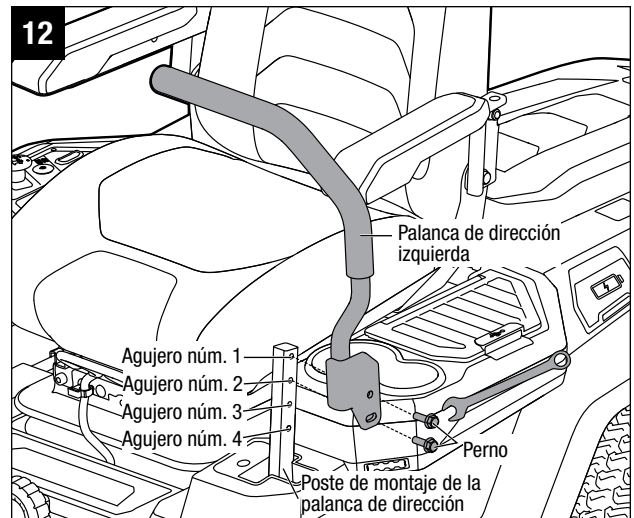


- Coloque el cable flexible en el gancho según la etiqueta de posición indicada en el cable que se muestra (Fig. 11).



PARA INSTALAR LAS PALANCAS DE DIRECCIÓN

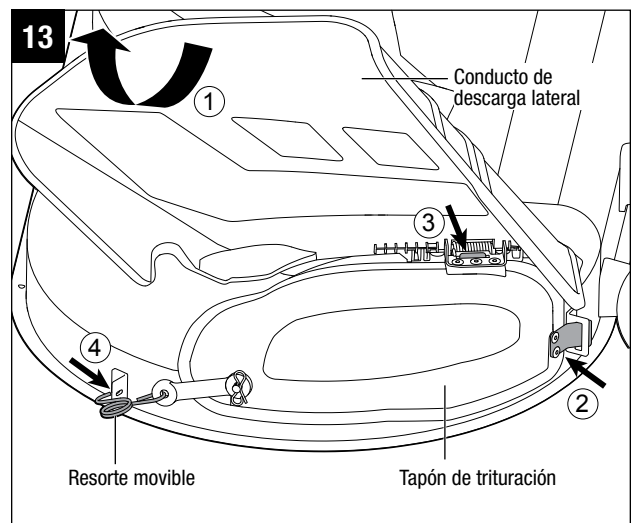
- Saque los cuatro pernos hexagonales de la caja de accesorios y póngalos a un lado.
- Levante una palanca de dirección para alinear los agujeros ubicados en la palanca de dirección con los agujeros ubicados en el poste de montaje correspondiente. Seleccione la altura de funcionamiento preferida de la palanca de dirección y luego utilice la llave de boca abierta suministrada para fijar la palanca de dirección con los dos pernos hexagonales suministrados, de la manera que se indica a continuación (Fig. 12).
 - Agujero 1 y 2: agujeros de fijación superiores para la palanca de dirección
 - Agujero 2 y 3: agujeros de fijación centrales para la palanca de dirección.
 - Agujero 3 y 4: agujeros de fijación inferiores para la palanca de dirección.
- Ensamble la otra palanca de dirección y apriétela con los dos pernos hexagonales restantes de la misma manera.



AVISO: Las palancas de dirección izquierda y derecha se deberán ajustar de manera que se alineen una con otra cuando estén en la posición neutral. No instale NUNCA las palancas de dirección a una altura de funcionamiento asimétrica.

PARA INSTALAR EL TAPÓN DE TRITURACIÓN (vendido por separado)

- Para ajustar la cortadora de césped para triturar, levante primero el conducto de descarga lateral y luego enganche el tapón de trituración sobre la abertura de la plataforma en los puntos 2, 3 y 4 de la manera que se muestra en la Fig. 13. Asegúrese de que todos los ganchos estén firmemente sujetos en sus posiciones correctas e impidan que el tapón de trituración se mueva. Deje el conducto de descarga lateral en la posición abierta.
- Para retirar el tapón de trituración, separe primero el resorte móvil del tapón de trituración soltándolo del gancho ubicado en la plataforma y luego retírelo de la abertura de la plataforma. Baje lentamente el conducto de descarga lateral hasta que descansa firmemente contra la plataforma.



UTILIZACIÓN

⚠ ADVERTENCIA: No deje que la familiaridad con este producto le haga descuidarse. Recuerde que una fracción de segundo de descuido es suficiente para causar lesiones graves.

⚠ ADVERTENCIA: No utilice ningún aditamento o accesorio no recomendado por el fabricante de este producto. La utilización de aditamentos o accesorios no recomendados puede causar lesiones corporales graves.

APLICACIÓN

Puede usar este producto para los fines que se indican a continuación:

- Cortar el césped.

PREPARACIÓN FINAL

COMPRUEBE LA PRESIÓN DE LAS LLANTAS

Compruebe la presión de aire de todas las llantas antes de utilizar la cortadora de césped. Una presión de aire incorrecta afectará al manejo, la respuesta de la dirección, la tracción, la vida útil de las llantas, el corte nivelado y la comodidad del operador. Asegúrese de que las llantas estén infladas a la presión que se muestra a continuación.

AVISO: La presión de las llantas solo se deberá medir cuando las llantas estén frías.

Presión recomendada	Rueda delantera	Rueda trasera
		32 PSI (222.1 kPa)

⚠ ADVERTENCIA: Compruebe minuciosamente la presión de las llantas mientras las infla. Demasiado aire en la llanta podría hacer que esta reviente, causando lesiones corporales graves.

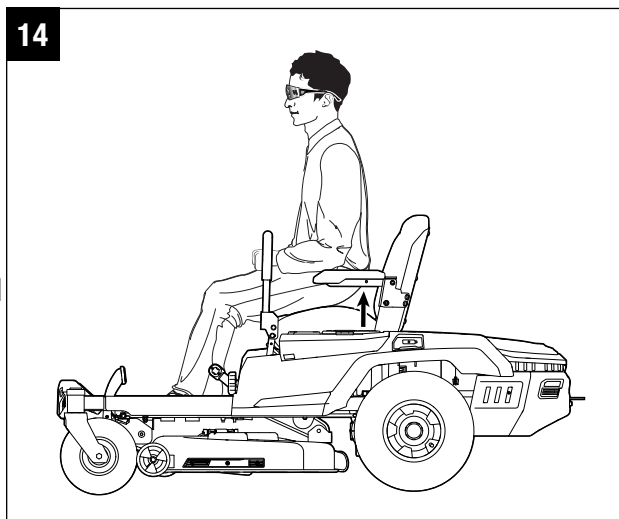
VERIFIQUE EL ESTADO DE LA CORTADORA DE CÉSPED

Inspeccione todo el producto para determinar si hay piezas dañadas, si faltan piezas o si hay piezas flojas, tales como tornillos, tuercas, pernos, tapas, etc. Apriete firmemente todos los sujetadores y tapas y no utilice este producto hasta que toda pieza que falte o que esté dañada haya sido reemplazada.

COMPRUEBE EL SISTEMA DE ENCLAVAMIENTO DE SEGURIDAD (Fig. 14)

La cortadora de césped incorpora un interruptor del asiento separado que detendrá los motores de propulsión y los motores de la plataforma cuando el operador no esté sentado por cualquier motivo mientras la cortadora de césped esté en funcionamiento. Esto es un dispositivo de seguridad para impedir que la cortadora se escape sola o que se produzcan enredos accidentales. Compruebe el sistema para asegurarse de que esté funcionando correctamente.

1. Posicione la cortadora de césped sobre una superficie nivelada.
2. El operador debe estar en el asiento cuando pruebe el interruptor del asiento.
3. Libere el pedal del freno de estacionamiento.



4. Inserte la llave de seguridad en la cortadora de césped y presione el botón de arranque/parada durante 3 segundos para iluminar la pantalla LCD.
5. Jale el interruptor de PTO hacia arriba para activar los motores de las cuchillas.
6. Levántese lentamente del asiento, pero no se baje de la cortadora de césped. El sistema de cuchillas de la plataforma se debería parar.
7. Si el sistema de las cuchillas de la plataforma no se detiene cuando el operador esté fuera del asiento y si la causa no se puede determinar después de confirmar que la conexión del enchufe y la toma del asiento está bien hecha, contacte inmediatamente a su centro de servicio al cliente de EGO.
8. Presione hacia abajo el interruptor de PTO para desactivar los motores de las cuchillas y ajuste las palancas de dirección desde la posición del freno de estacionamiento eléctrico hasta la posición neutral.
9. Ajuste las palancas de dirección hacia delante o hacia atrás para conducir la cortadora de césped; consulte la sección “**CONDUCCIÓN DE LA CORTADORA DE CÉSPED**” de este manual.
10. Levántese lentamente del asiento. El sistema de conducción debería parar.
11. Si el sistema de propulsión no se detiene cuando el operador esté fuera del asiento y si la causa no se puede determinar después de confirmar que la conexión del enchufe y la toma del asiento está bien hecha, contacte inmediatamente a su centro de servicio al cliente de EGO.

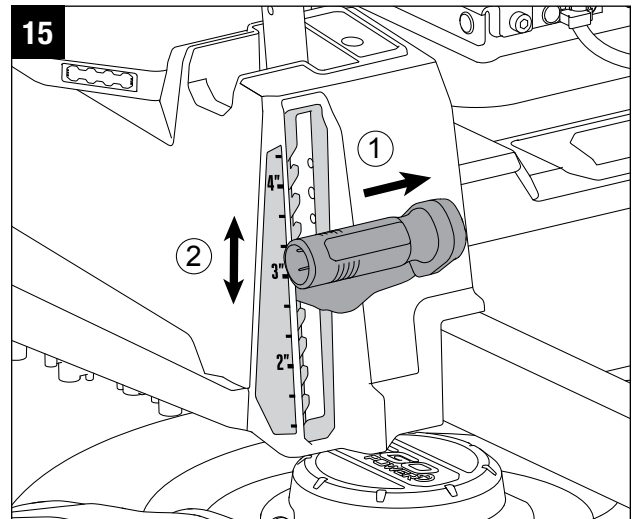
⚠ ADVERTENCIA: NO utilice la cortadora de césped hasta que el sistema de enclavamiento de seguridad haya sido reparado por un técnico de servicio calificado.

AJUSTE DE LA CORTADORA DE CÉSPED

AJUSTE DE LA ALTURA DE LA PLATAFORMA DE CORTE (Fig. 15)

AVISO: La plataforma de la cortadora de césped eléctrica con radio de giro cero EGO se ajusta a la altura de corte más alta cuando se realiza el envío. Antes de utilizar la cortadora de césped, el operador deberá ajustar la altura de la plataforma en la posición de corte más adecuada para el césped.

AVISO: Para evitar cortar al ras el césped cuando se encuentren puntos altos, las dos ruedas anticorte al ras se pueden ajustar cuando la cortadora de césped esté a la altura de corte deseada. Dependiendo de la altura de corte que se desee, es posible que usted tenga que cambiar la posición de las ruedas anticorte al ras. Sírvase consultar la sección “**AJUSTE DE LAS RUEDAS ANTICORTE AL RAS**” de este manual.



1. Asegúrese de que las baterías se hayan retirado de la cortadora de césped antes de hacer cualquier ajuste.
2. Para bajar la altura de corte, agarre la palanca de ajuste de la altura de la plataforma y muévala hacia dentro para desacoplarla de la ranura. Muévala hacia abajo y acóplela en la ranura cuando llegue a la altura de corte deseada.
3. Para subir la altura de corte, agarre la palanca de ajuste de la altura de la plataforma y muévala hacia dentro para desacoplarla de la ranura. Muévala hacia arriba y acóplela en la ranura cuando llegue a la altura de corte deseada.

AVISO: Antes de cortar el césped, la plataforma se deberá ajustar a una altura suficiente para evitar tocones de árbol, rocas u otros obstáculos que puedan dañar la plataforma de la cortadora de césped.

⚠ PELIGRO: No intente nunca hacer cualquier ajuste a la plataforma de la cortadora de césped mientras la cortadora esté en modo de conducción o la cuchilla de corte esté activada. Las cuchillas de la cortadora de césped no se pueden ver y están ubicadas muy cerca de la carcasa de la plataforma. Los dedos y las manos de los pies pueden resultar cortados instantáneamente.

⚠ ADVERTENCIA: Agarre firmemente la palanca de ajuste de la altura de la plataforma cuando ajuste la altura de la plataforma y suéltela solo cuando esté firmemente acoplada en la ranura deseada. Si se suelta rápidamente la palanca, es posible que se cree un peligro de aplastamiento o jalón para la mano del operador.

AJUSTE DEL ASIENTO (Fig. 16)

⚠ ADVERTENCIA: Asegúrese de que el asiento esté firmemente sujeto a la cortadora de césped con los tornillos de cabeza hueca incluidos antes de utilizar la cortadora de césped. Un asiento que no esté firmemente sujeto puede hacer que el operador pierda el control de la cortadora de césped y causar posible muerte o posibles lesiones corporales graves.

Ajuste la posición del asiento para asegurarse de que puede hacer un contacto firme con el pedal del freno antes de utilizar la cortadora de césped.

El asiento se puede ajustar hacia atrás y hacia delante levantando la palanca de ajuste del asiento hacia delante-detrás que se encuentra debajo del asiento.



Para mover el asiento

1. Active el freno de estacionamiento.
2. Siéntese en el asiento; levante la palanca de ajuste del asiento hacia delante-detrás y manténgala levantada, y luego mueva el asiento hacia delante o hacia atrás hasta la posición deseada;
3. Suelte la palanca de ajuste del asiento hacia delante-detrás y asegúrese de que el asiento esté bloqueado en la posición correcta.

La comodidad del asiento también se puede ajustar con la perilla de ajuste de la suspensión del asiento ubicada en la parte inferior del mismo. Afloje o apriete la perilla de ajuste tal y según se indique para lograr la suspensión más cómoda.

ACTIVACIÓN DEL FRENO DE ESTACIONAMIENTO (Fig. 17)

El pedal del freno de estacionamiento se utiliza para bloquear la cortadora de césped en la posición de frenado. Para arrancar la cortadora de césped, dicho pedal se deberá liberar de la posición de frenado.

Para activar el freno de estacionamiento:

1. Coloque las palancas de dirección de vuelta en la posición neutral y ábralas hacia fuera hasta la posición del freno de estacionamiento (posición abierta).
2. Utilice el pie izquierdo para presionar completamente y mantener presionado el pedal del freno de estacionamiento hasta que dicho pedal deje de rebotar.
3. Libere el pedal del freno de estacionamiento. Retire el pie de dicho pedal.

Para liberar el freno de estacionamiento, presione de nuevo una vez más el pedal del freno de estacionamiento; el pedal rebotará hasta la posición liberada.

⚠ ADVERTENCIA: No deje nunca desatendida la cortadora de césped durante las pausas de descanso del trabajo sin verificar que el freno de estacionamiento esté activado y que se haya retirado la llave de seguridad. Si no se activa el freno de estacionamiento, el resultado podría ser que la cortadora de césped se mueva, y dejar instalada la llave de seguridad podría permitir un uso no autorizado que podría causar lesiones corporales graves.

INSTALACIÓN/DESINSTALACIÓN DEL PAQUETE DE BATERÍA

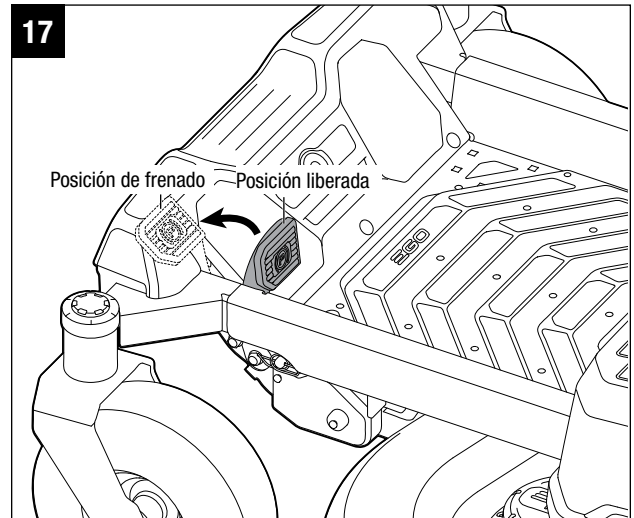
CARGUE LA UNIDAD ANTES DEL PRIMER USO

AVISO: Para arrancar esta cortadora de césped, se requieren baterías EGO que totalicen 15 Ah (2 X BA4200/BA4200T) o más; para obtener el mejor rendimiento, recomendamos utilizar baterías EGO que totalicen 30 Ah o más.

Cuando no se estén utilizando, los paquetes de batería EGO de 56 V se deberán almacenar en un área cerrada donde la temperatura no descienda por debajo de -4 °F (-20 °C). Las temperaturas de carga óptimas están entre 41 °F (5 °C) y 104 °F (40 °C).

⚠ ADVERTENCIA: Si hay piezas rotas o faltan piezas, no intente instalar los paquetes de batería en la cortadora de césped ni utilizar la cortadora de césped hasta que las piezas rotas o que faltan hayan sido reemplazadas. Si no se hace así, el resultado podría ser lesiones graves.

1. La cubierta de la unidad de energía se fija con el botón de liberación al cerrarla. Para abrirla, utilice los dedos para agarrar el botón de liberación de la cubierta de la unidad de energía y presione ligeramente dicho botón para levantar dicha cubierta.
2. La cubierta de la unidad de energía se abrirá lentamente de manera automática con la ayuda de la barra de resorte.
3. La cortadora de césped eléctrica con radio de giro cero EGO está equipada con seis compartimientos de batería para acomodar hasta seis paquetes de batería al mismo tiempo.
4. Alinee las ranuras del paquete de batería con las costillas en relieve del compartimiento de la batería y luego inserte el paquete de batería en el compartimiento.
5. Empuje el paquete de batería hasta que oiga un “clic”. El botón de liberación de la batería saltará por resorte hacia arriba cuando el paquete de batería esté firmemente sujeto.



6. Instale más paquetes de batería en los compartimientos de batería restantes de la misma manera (Fig. 18).
7. **Para desinstalar el paquete de batería**, presione el botón de liberación de la batería para liberar el paquete de batería y luego levántelo para sacarlo del compartimiento (Fig. 19).
8. Cierre la cubierta de la unidad de energía solo cuando oiga un “clic”, lo cual indicará que el botón de liberación de la cubierta de la unidad de energía está acoplado.

PROCESO DE CARGA DE LA CORTADORA DE CÉSPED ELÉCTRICA CON RADIO DE GIRO CERO

Cuando la carga de la batería esté baja, la cortadora de césped se pondrá en el modo de funcionamiento reducido y solo permitirá al operador conducir la cortadora de césped hasta una distancia máxima de 0,6 millas de vuelta al área de carga de las baterías. Las cuchillas se cambian automáticamente a la velocidad de rotación baja sin cortar pasto para ahorrar carga de la batería.

⚠ ADVERTENCIA: No intente conducir cruzando carreteras o vías del tren cuando el nivel de carga de la batería esté bajo.

Hay dos maneras de cargar la cortadora de césped:

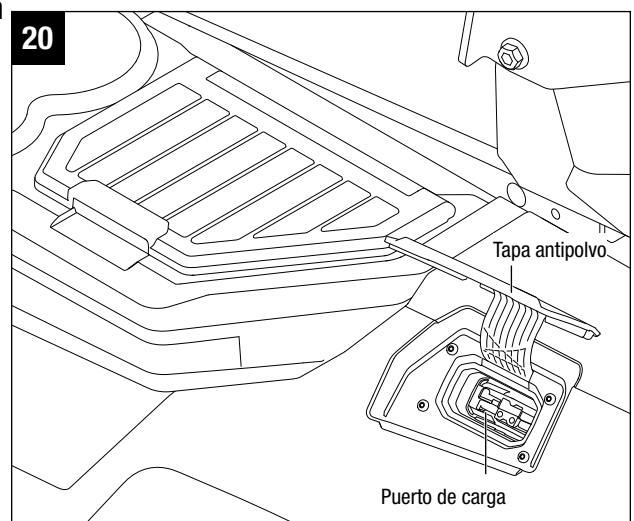
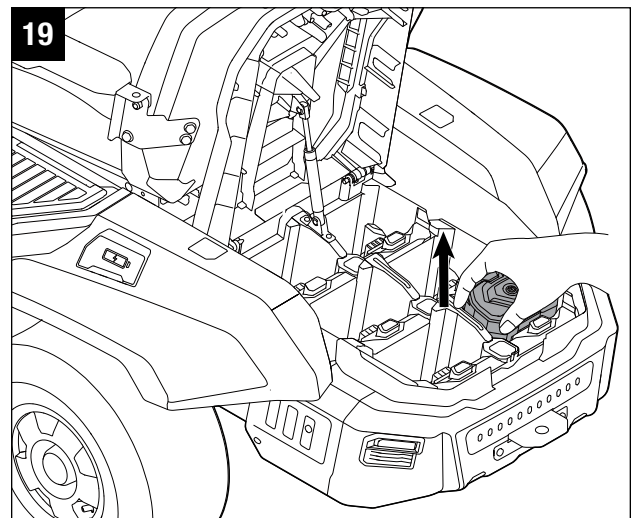
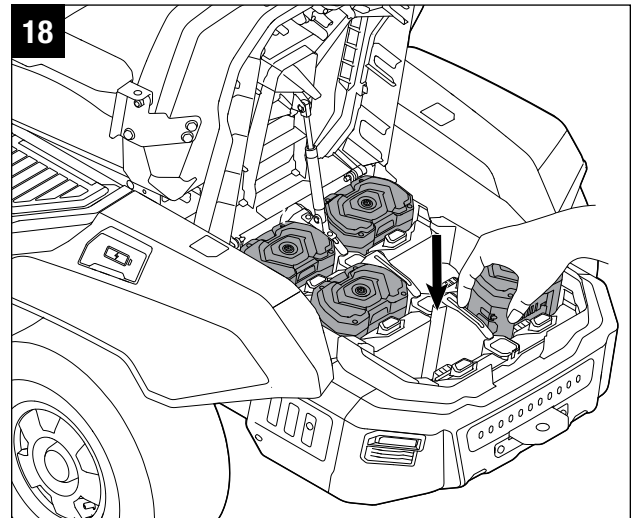
- Retire las baterías de la cortadora de césped y cárguelas por separado con un cargador estándar o cargadores rápidos EGO. Sírvase seguir las instrucciones incluidas en el manual del operador para el cargador estándar o los cargadores rápidos EGO.
- Un cargador de baterías EGO CHV1600/CHV1600-FC está disponible para cargar la cortadora de césped eléctrica con radio de giro cero EGO directamente mientras las baterías estén instaladas en la cortadora de césped.

AVISO: También hay manuales individuales para las baterías y los cargadores EGO. Guarde las instrucciones. Los manuales contienen instrucciones de seguridad y utilización importantes para la batería y el cargador. **NO intente cargar las baterías o la cortadora de césped con un cargador que no esté diseñado para este producto.**

Proceso de carga de las baterías a través del puerto de carga

El puerto de carga de las baterías está ubicado en la carcasa izquierda de la cortadora de césped, junto a la caja de almacenamiento (Fig. 20). Para cargar la batería:

- Pare la cortadora de césped y retire la llave de seguridad; asegúrese de que la cortadora de césped se detenga por completo.



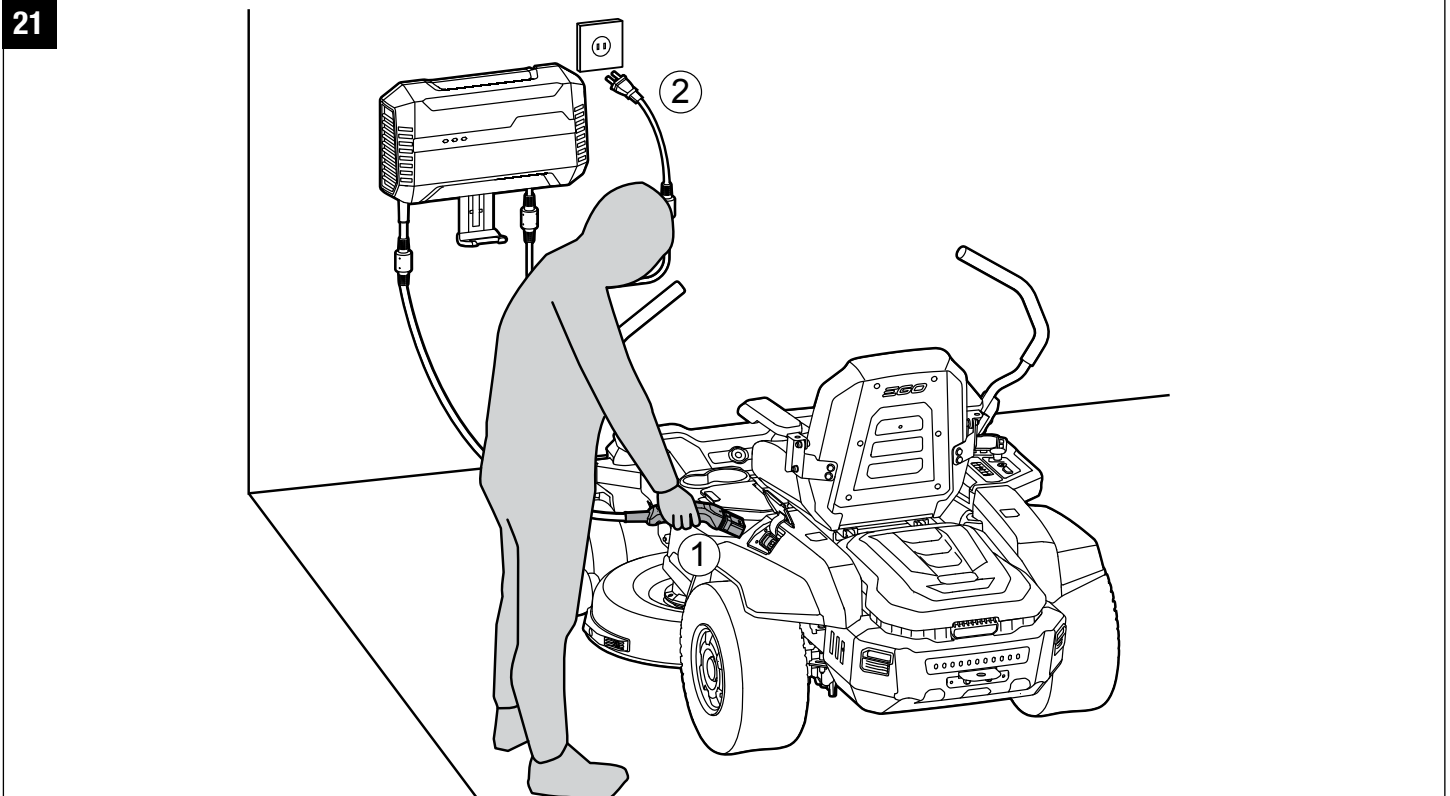
- Levante la tapa antipolvo del puerto de carga de la batería que se encuentra en la cortadora de césped y conecte el enchufe del cargador CHV1600/CHV1600-FC al puerto (Fig. 21).

AVISO: El enchufe solo encajará de una manera en el puerto. Asegúrese de que esté alineado correctamente antes de insertarlo.

- Enchufe el otro extremo del cargador en un tomacorriente doméstico de 120 V (Fig. 21).
- El cargador comenzará a cargar las baterías. Después de que las baterías estén completamente cargadas, tal y como se indicará en la pantalla LCD, desconecte el enchufe del cargador del tomacorriente de pared y saque del puerto el enchufe del cargador.
- Cubra el puerto del cargador con la tapa antipolvo y comience a utilizar la cortadora de césped. Sírvase consultar el manual del cargador para obtener instrucciones detalladas. Lea y entienda todas sus advertencias de seguridad e instrucciones. Si no se siguen, es posible que el resultado sea descargas eléctricas, incendio y/o lesiones graves.

⚠ ADVERTENCIA: No fume mientras esté cargando la cortadora de césped con las baterías instaladas.

⚠ ADVERTENCIA: La cortadora de césped se deberá cargar bajo un área cubierta protegida de la lluvia o en un lugar interior.



AVISO:

- Las baterías de ion litio EGO no desarrollan memoria y no es necesario descargarlas completamente antes de recargarlas.
- Cada seis meses de almacenamiento, cargue completamente el paquete de batería de ion litio para obtener la vida útil más larga posible de la batería.

- Cuando realice la carga, asegúrese de que la entrada y la salida del ventilador de enfriamiento del cargador no estén bloqueadas.

ANTES DE ARRANCAR LA CORTADORA DE CÉSPED

- Asegúrese de que el área de trabajo esté despejada de niños, curiosos y animales domésticos.
- Despeje el área de trabajo de objetos que puedan ser lanzados al aire por las cuchillas de la cortadora de césped.
- Elimine los residuos de la cortadora de césped.
- Compruebe si hay sujetadores flojos.
- Compruebe todos los protectores para asegurarse de que estén colocados en la posición correcta y funcionando correctamente.
- Compruebe la presión de las llantas.
- Compruebe el funcionamiento del freno.
- Pruebe el sistema de enclavamiento de seguridad.
- Ajuste la altura de la plataforma en la posición de corte deseada que sea más adecuada para el césped.
- Ajuste el asiento en la posición deseada.
- Verifique el nivel de carga de la batería.

ARRANQUE DE LA CORTADORA DE CÉSPED ELÉCTRICA CON RADIO DE GIRO CERO

La utilización de una cortadora de césped con radio de giro cero es diferente a la utilización de una cortadora de césped con asiento estándar. Las cortadoras de césped con radio de giro cero tienen tracción en las ruedas traseras y las ruedas funcionan independientemente de la manera en que sean dirigidas por la posición de las palancas de dirección. Antes de comenzar a cortar el pasto, recomendamos enfáticamente que encuentre un área grande, nivelada y abierta para practicar la utilización de la cortadora de césped siguiendo las instrucciones que se indican a continuación. Una vez que usted pueda realizar de manera cómoda y confiable cada una de estas maniobras, estará listo para comenzar a cortar el césped.

⚠ ADVERTENCIA: Despeje el área de curiosos antes de utilizar la cortadora de césped. Si alguna persona entra en el área de corte de césped, deténgase inmediatamente y no continúe cortando hasta que los curiosos se vayan del área.

⚠ ADVERTENCIA: Evite los arranques, las paradas y los giros repentinos, así como la velocidad excesiva, especialmente cuando esté aprendiendo por primera vez a utilizar la cortadora de césped. La cortadora de césped puede girar rápidamente sobre sí misma, lo cual puede hacer que usted pierda el control, y eso podría tener como resultado la muerte, lesiones corporales graves y/o daños a la cortadora de césped. Presione el botón de ajuste de la velocidad de conducción hasta la velocidad más baja (consulte **Botón de ajuste de la velocidad de conducción** de este manual) para limitar la cantidad de velocidad disponible hasta que usted sea completamente capaz de utilizar la cortadora de césped en todas las situaciones.

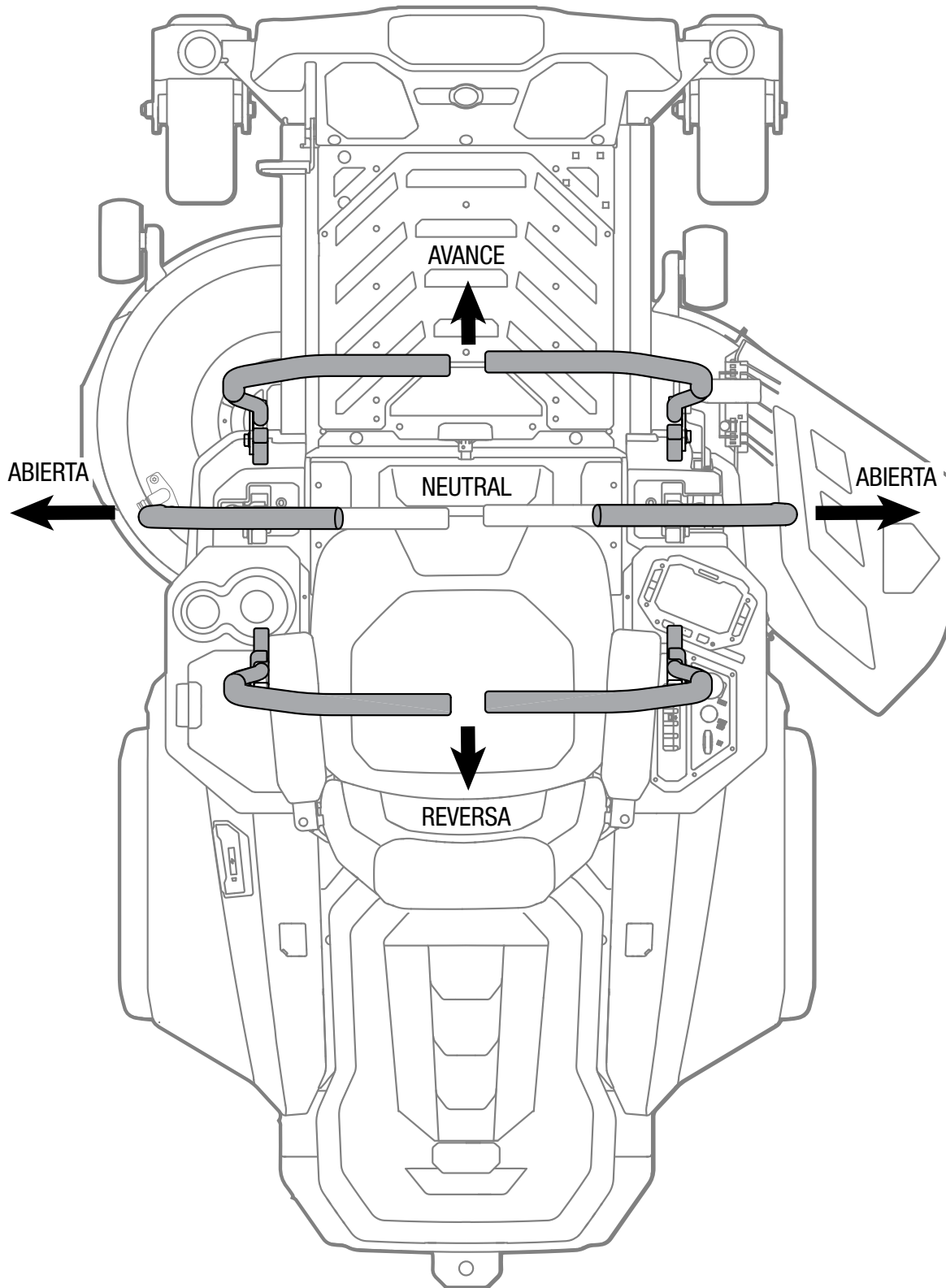
1. Inserte la llave de seguridad.
2. Con la llave de seguridad insertada, presione el botón de arranque/parada durante 3 segundos para iluminar la pantalla LCD.
3. Compruebe si está en el modo de conducción adecuado presionando el botón de modo de conducción.

AVISO: Se recomienda arrancar siempre la cortadora de césped a la velocidad de conducción más baja.

4. Libere el pedal del freno de estacionamiento de la posición de frenado y mueva las dos palancas de dirección hacia dentro desde la posición abierta hasta la posición neutral. Usted estará listo para maniobrar las palancas de dirección para conducir la cortadora de césped.
5. Jale el interruptor de PTO para arrancar las cuchillas de corte.
6. Empuje las palancas de dirección hacia delante para obtener movimiento hacia delante y júlelas hacia atrás para obtener movimiento en reversa (Fig. 22).

AVISO: El freno de estacionamiento eléctrico se activará hasta que las palancas de dirección se devuelvan a la posición abierta. Cuando las palancas de dirección estén de vuelta en la posición neutral, la cortadora de césped simplemente se detendrá sin frenar eléctricamente (Fig. 22).

AVISO: Cuando la cortadora de césped se arranque en una pendiente, en el momento en que las palancas de dirección se empujen hacia delante, la cortadora de césped se mantendrá inmóvil en la pendiente sin deslizarse por la misma. Una vez que las palancas de dirección se empujen lo suficientemente hacia delante, la cortadora de césped se podrá conducir hacia delante normalmente. Esto es una función de asistencia en pendiente para arrancar de manera segura la cortadora de césped eléctrica EGO con radio de giro cero.



PARADA DE LA CORTADORA DE CÉSPED ELÉCTRICA CON RADIO DE GIRO CERO

⚠ PELIGRO: No haga nunca paradas ni inversiones de dirección repentinas, especialmente cuando maniobre en una pendiente. Las palancas de dirección están diseñadas para ofrecer una respuesta sensible. Un movimiento rápido de las palancas de dirección en cualquiera de los dos sentidos podría causar una reacción de la cortadora de césped que puede causar lesiones graves.

1. Devuelva las palancas de dirección a la posición neutral.
2. Presione hacia abajo el interruptor de PTO para desactivar los motores de la plataforma/las cuchillas de corte de la cortadora de césped.
3. Abra las palancas de dirección hacia fuera hasta la posición del freno de estacionamiento.
4. Ponga el pedal del freno de estacionamiento en la posición de frenado.
5. Presione el botón de arranque/parada durante más de 3 segundos para apagar la cortadora de césped.

AVISO: Después de más de 3 minutos sin estar en funcionamiento, la cortadora de césped se apagará automáticamente.

6. Retire la llave de seguridad de la cortadora de césped y manténgala en un lugar seguro.

⚠ ADVERTENCIA: No detenga la cortadora de césped en una pendiente. Detenga siempre la cortadora de césped sobre una superficie plana y nivelada y no deje nunca desatendida la cortadora con la llave de seguridad insertada, incluso solo por un breve período de tiempo. Si se deja puesta la llave, se podría permitir un uso no autorizado que podría causar lesiones corporales graves.

⚠ ADVERTENCIA: Cuando la cortadora de césped deje de desplazarse por una pendiente y el operador esté fuera del asiento sin poner el pedal del freno de estacionamiento en la posición de frenado, el indicador emisor de pitidos sonará continuamente para recordar al operador que active el freno de estacionamiento para detener de manera segura la cortadora de césped en la pendiente. Ponga siempre el pedal del freno de estacionamiento en la posición de frenado cuando abandone el asiento. De lo contrario, **cuando la energía de la batería se agote, la cortadora de césped se deslizará hacia abajo por la pendiente, ¡lo cual puede causar daños graves a la cortadora de césped o lesiones corporales graves!**

CONDUCCIÓN DE LA CORTADORA DE CÉSPED ELÉCTRICA CON RADIO DE GIRO CERO (Fig. 23)

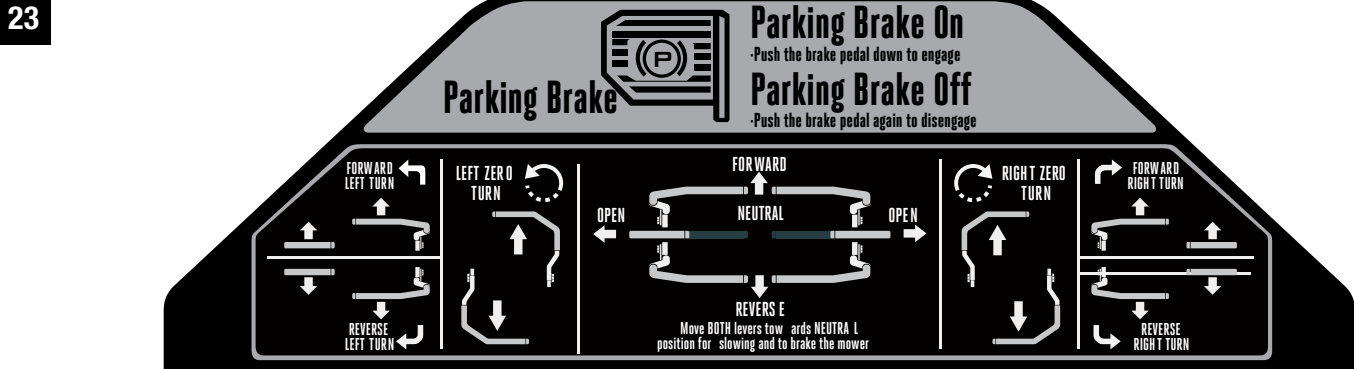
Después de arrancar la cortadora de césped, accione las palancas de dirección de la siguiente manera:

- **Para ir hacia delante**, empuje las palancas de dirección hacia delante una distancia igual.
- **Para ir en reversa**, jale las palancas de dirección hacia atrás una distancia igual.
- **Para girar a la izquierda**, mueva la palanca de dirección derecha más allá de la posición neutral que la palanca de dirección izquierda.
- **Para girar a la derecha**, mueva la palanca de dirección izquierda más allá de la posición neutral que la palanca de dirección derecha.
- **Para realizar un giro de radio cero**, reduzca primero la velocidad y luego mueva una palanca de dirección hacia delante y la otra palanca de dirección más atrás de la posición neutral. Esto permite que las ruedas motrices (traseras) roten en sentido contrario.

AVISO: No se recomienda un movimiento rápido de las palancas de dirección, ya que es posible que se produzcan daños a los componentes eléctricos de la cortadora de césped.

AVISO: Los giros agresivos pueden rasguñar o dañar el césped. Realice los giros de radio cero a una velocidad de conducción baja. Mantenga siempre ambas ruedas rotando cuando haga giros pronunciados. **No haga giros con la rueda interior completamente detenida.** Para radios de giro mínimos, invierta lentamente el sentido de giro la rueda interior mientras mueva la rueda exterior lentamente hacia delante.

- **Para detenerse o reducir la velocidad,** mueva las palancas de dirección hasta la posición neutral. Cuando vaya hacia delante, jale suavemente hacia atrás las palancas de dirección. Cuando vaya en reversa, empuje suavemente hacia delante las palancas de dirección.



LA PARTE DELANTERA DE LA CORTADORA DE CÉSPED SE ORIENTA EN ESTA DIRECCIÓN

- Para aumentar la velocidad, aumente la distancia de las palancas de dirección respecto a la posición neutral. Cuanto más adelante estén las palancas de dirección respecto a la posición neutral, más rápido se desplazará hacia delante la cortadora de césped. Cuanto más atrás estén las palancas de dirección respecto a la posición neutral, más rápido se desplazará en reversa la cortadora de césped

⚠ PELIGRO Manténgase a una distancia de al menos dos anchuras de corte (7 pies) de cualquier zanja, desnivel o agua. Las ruedas delanteras pueden rotar cuando la cortadora de césped esté detenida, incluso con el freno activado, y hacer que la cortadora de césped se precipite por el borde o caiga al agua y cause la muerte o lesiones corporales graves.

⚠ ADVERTENCIA: Tenga presente lo que esté detrás de la cortadora de césped antes de retroceder. NO corte césped en reversa a menos que sea absolutamente necesario. Mire siempre hacia abajo y hacia detrás antes de retroceder y mientras esté retrocediendo, para asegurarse de que no entren niños, otras personas que estén presentes o animales domésticos en el área de corte de césped. Recuerde que una fracción de segundo de descuido es suficiente para causar la muerte o lesiones graves.

⚠ ADVERTENCIA: Asegúrese de que ha ajustado correctamente la dirección de conducción prevista con las palancas de dirección antes de presionar el pedal del freno de estacionamiento. Si no se hace así, el resultado podría ser que usted conduzca la cortadora de césped en una dirección no prevista, lo cual podría causar pérdida de control o un accidente.

⚠ ADVERTENCIA: Tenga precaución cuando cruce caminos de grava o entradas de garaje. Antes de cruzarlos, desactive las cuchillas y suba la plataforma de corte hasta la posición más alta para minimizar la posibilidad de rebote. Conduzca lentamente para evitar la pérdida de tracción y control.

CONSEJOS PARA CORTAR EL CÉSPED

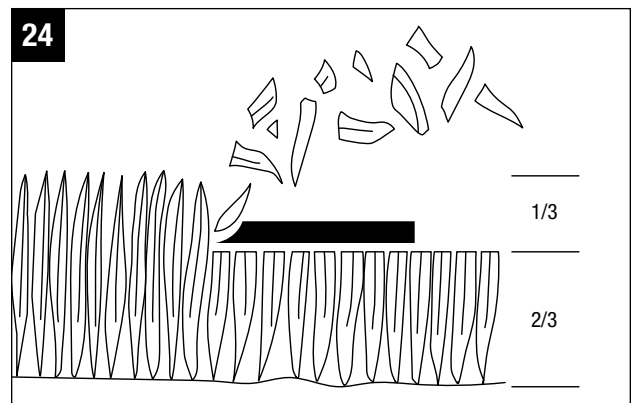
AVISO: Una cuchilla afilada aumentará enormemente el rendimiento de la cortadora de césped, especialmente al cortar pasto alto. Asegúrese de comprobar si la cuchilla está afilada antes de cortar el pasto.

- Verifique que el césped esté libre de piedras, palos, alambres y otros objetos que podrían dañar las cuchillas de corte o los motores de la cortadora de césped. Dichos objetos podrían ser lanzados accidentalmente al aire por la cortadora de césped en cualquier dirección y podrían causar lesiones corporales graves al operador y a otras personas.

⚠ ADVERTENCIA: Si golpea un objeto extraño, pare los motores y retire las baterías. Inspeccione minuciosamente la cortadora de césped para determinar si tiene algún daño y repare el daño antes de rearrancar y utilizar la cortadora de césped. Una vibración excesiva de la cortadora de césped durante su utilización es una indicación de daños. La unidad deberá ser inspeccionada y reparada de inmediato.

- El resultado de cortar el césped será el mejor con una velocidad elevada de las cuchillas de corte y una velocidad de conducción baja. Si el pasto no es demasiado largo y denso, la velocidad de conducción se puede aumentar sin afectar negativamente al resultado de corte.
- Cuando corte pasto grueso, reduzca la velocidad de conducción para permitir un corte más eficaz y una descarga adecuada del pasto cortado.
- Comience con una altura de corte elevada y redúzcala hasta que se obtenga el resultado de corte deseado. El pasto de más de 6 pulgadas de altura se deberá cortar dos veces, a alturas de corte sucesivamente más bajas.

- Para mantener un césped saludable, corte solo un tercio o menos de la longitud total del pasto (Fig. 24). El césped medio deberá tener una longitud de aproximadamente 1-1/2 a 2 pulgadas durante los meses fríos y entre 2 y 3-1/4 pulgadas durante los meses calurosos. Para obtener un césped más saludable y con mejor aspecto, córtelo más a menudo después de un crecimiento moderado.

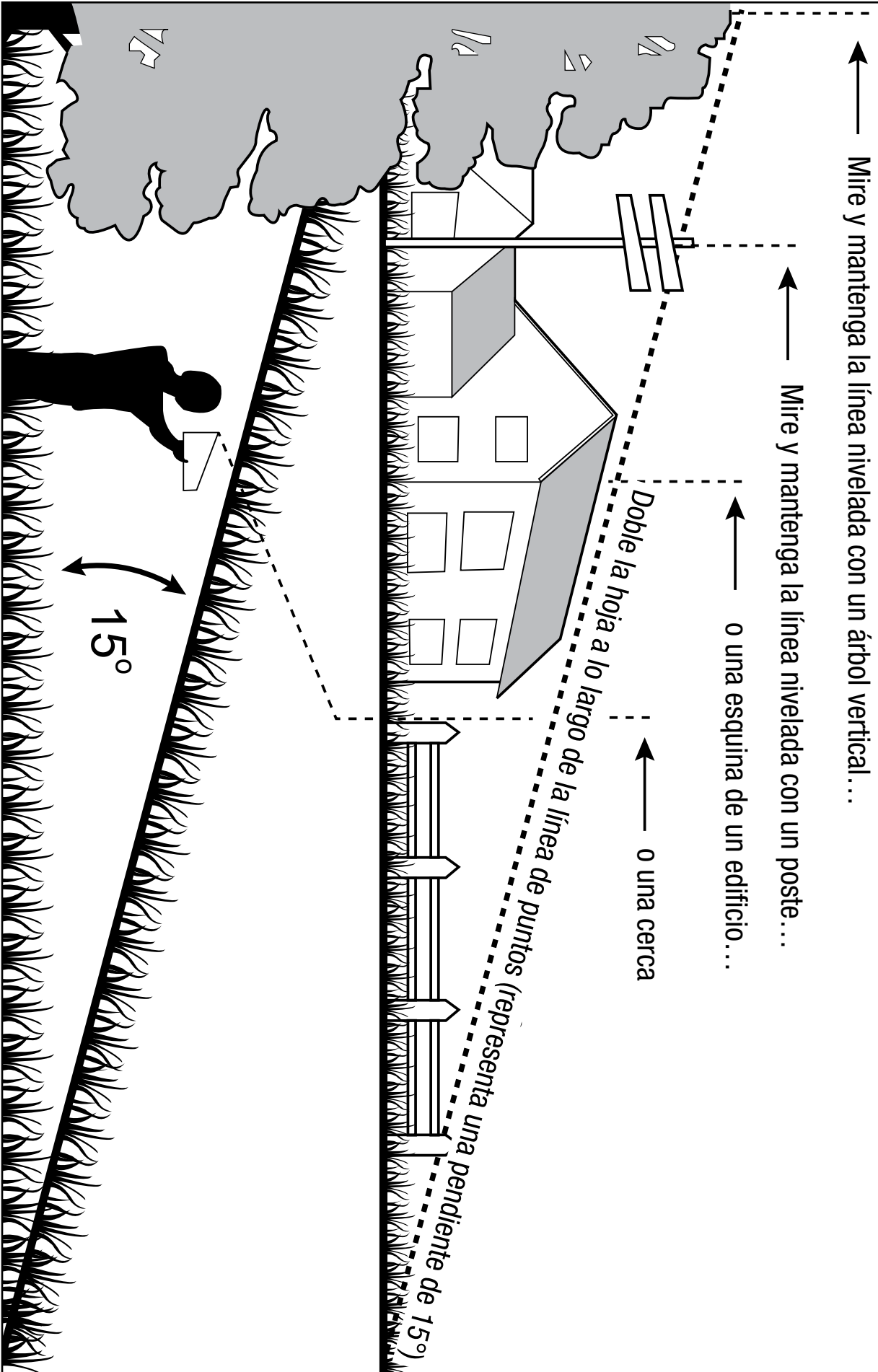


- No corte pasto mojado. El corte en superficies mojadas puede causar pérdida de control y hacer que las ruedas se hundan en el césped blando, y el pasto mojado se pegará a la parte inferior de la plataforma e impedirá el embolsado o la trituración adecuados del pasto cortado.
- Es posible que el pasto grueso requiera un corte más estrecho o una altura de corte más alta.
- Mantenga limpias la plataforma de la cortadora de césped y el conducto de descarga lateral. Retire el pasto cortado, las hojas, la suciedad y cualquier otro residuo acumulado antes y después de cada uso. Consulte la sección “**LIMPIEZA DE LA MÁQUINA**” de este manual.
- Cuando se utilice el tapón de trituración, es importante cortar el césped frecuentemente.

UTILIZACIÓN EN UNA PENDIENTE (Fig. 25)

Consulte la sección “**INSTRUCCIONES ESPECÍFICAS PARA PENDIENTES**” de este manual para obtener instrucciones específicas antes de la utilización en una pendiente.

⚠ ADVERTENCIA: Las pendientes son un factor importante relacionado con los accidentes por inclinaciones y vuelcos de la máquina, los cuales pueden causar lesiones graves o la muerte. La utilización en pendientes requiere precaución adicional. Si se siente intranquilo en una pendiente, no corte el césped en ella. Por su seguridad, no intente cortar el césped en pendientes de más de 15 grados. Haga una copia o recorte la imagen de la guía de pendientes (Fig. 23) y utilícela para determinar si su pendiente es demasiado inclinada para que la operación sea segura.



- Corte el césped hacia arriba y hacia abajo, no transversalmente a la cara de las pendientes.
- No corte el pasto si está mojado. El pasto mojado puede hacer que las llantas pierdan tracción o resbalen en las pendientes, incluso aunque los frenos estén funcionando correctamente.
- Esté atento a la presencia de agujeros, surcos, rocas, objetos ocultos o baches que puedan hacer que usted resbale o tropiece. El pasto alto puede ocultar obstáculos. Retire todos los objetos, tales como rocas, ramas de árbol, etc., con los que se pueda tropezar o que puedan ser lanzados al aire por la cuchilla.
- No corte el césped cerca de desniveles, zanjas o terraplenes.
- Conduzca lentamente y no haga cambios repentinos de velocidad o dirección.
- Evite detenerse en una pendiente si es posible. Si es inevitable detenerse en una pendiente, asegúrese de activar el freno de estacionamiento. Cuando reanque la cortadora de césped, utilice la velocidad más baja posible. Si es necesario girar, use precaución extrema cuando cambie de dirección y gire siempre cuesta abajo.
- Si se está utilizando la embolsadora opcional, tenga precaución extrema y maneje lentamente la cortadora de césped cuando opere en pendientes, ya que el embolsado puede cambiar la estabilidad de la cortadora de césped.
- Si en cualquier momento las llantas pierden tracción mientras se opera en una pendiente, desacople las cuchillas y proceda de manera lenta y cuidadosa directamente hacia abajo por la pendiente.

MANTENIMIENTO

⚠ ADVERTENCIA: Antes de realizar cualquier mantenimiento, pare la cortadora de césped en una superficie nivelada y espere hasta que las cuchillas se detengan por completo. Active el freno de estacionamiento y retire la llave de seguridad para evitar arranques accidentales y posibles lesiones corporales graves.

⚠ ADVERTENCIA: Use siempre protección de los ojos con escudos laterales marcados para cumplir con la norma ANSI Z87.1. Si no se hace así, el resultado podría ser que se lancen objetos hacia los ojos del operador, lo cual causará posibles lesiones graves.

⚠ ADVERTENCIA: Cuando haga servicio de ajustes y reparaciones, utilice únicamente piezas de repuesto idénticas. El uso de cualquier otra pieza podría crear un peligro o causar daños al producto. Para garantizar la seguridad y la confiabilidad, todas las preparaciones deberán ser realizadas por un técnico de servicio calificado.

⚠ ADVERTENCIA: Siga estrictamente todas las especificaciones de apriete con llaves de torsión. El hecho de no hacerlo podría causar lesiones corporales graves.

AVISO: Permanezca alerta a los ruidos inusuales, ya que podrían estar señalando un problema. Inspeccione visualmente el producto para detectar cualquier desgaste o daño anormal. Inspeccione periódicamente todo el producto para determinar si hay piezas dañadas, faltantes o flojas, tales como tornillos, tuercas, pernos, tapas, etc., junto con enredos de cables y cuerdas. Apriete firmemente todos los sujetadores y todas las tapas, y no utilice este producto hasta que todas las piezas que falten o estén dañadas hayan sido reemplazadas.

PROGRAMA(S) DE MANTENIMIENTO RECOMENDADO(S)

Maintenance Service Interval	Intervalo de servicio de mantenimiento
Antes de cada uso o diariamente	<ul style="list-style-type: none"> ▪ Compruebe el sistema de enclavamiento de seguridad. ▪ Compruebe visualmente si la llanta está pinchada. ▪ Inspeccione las cuchillas. ▪ Inspeccione todo el producto para determinar si hay piezas dañadas, si faltan piezas o si hay piezas sueltas, como por ejemplo el conducto de descarga lateral, tornillos, tuercas, pernos, tapas, etc., asegurándose de que todos los protectores estén instalados y funcionando correctamente.
Después de cada uso	<ul style="list-style-type: none"> ▪ Limpie la plataforma de la cortadora de césped.
Cada 25 horas	<ul style="list-style-type: none"> ▪ Revise la presión de las llantas.
Cada 50 horas	<ul style="list-style-type: none"> ▪ Compruebe el estado de la grasa en el interior de la brida de las cuchillas de corte.
Cada 100 horas	<ul style="list-style-type: none"> ▪ Compruebe las ruedas traseras, asegurándose de que las 4 tuercas de llanta esté apretadas con la fuerza de torsión recomendada.
Cada 200 horas	<ul style="list-style-type: none"> ▪ Compruebe las ruedas delanteras y asegúrese de que giran libremente.

Maintenance Service Interval	Intervalo de servicio de mantenimiento
Antes del almacenamiento	<ul style="list-style-type: none"> ▪ Retire la batería de la cortadora de césped. ▪ Retire la llave de seguridad de la cortadora de césped. ▪ Realice todos los procedimientos de mantenimiento indicados anteriormente y limpie minuciosamente la cortadora de césped. ▪ Inspeccione todo el producto para determinar si hay piezas dañadas, si faltan piezas o si hay piezas sueltas, y reemplace o apriete las piezas correspondientes antes de almacenar la unidad.
Anualmente	<ul style="list-style-type: none"> ▪ Compruebe el pedal del freno de estacionamiento. Retire la batería de la cortadora de césped y ponga el pedal del freno de estacionamiento en la posición de frenado. Empuje manualmente la cortadora de césped hacia delante para comprobar si se puede mover o no. Si se mueve, haga que reciba servicio de ajustes y reparaciones por un técnico de servicio calificado.

MANTENIMIENTO GENERAL

- Evite utilizar solventes cuando limpie piezas de plástico. La mayoría de los plásticos son susceptibles de sufrir daños causados por diversos tipos de solventes comerciales y es posible que resulten dañados por el uso de los mismos. Utilice paños limpios para eliminar la suciedad, el polvo, el aceite, la grasa, etc. Es posible que el aerosol de repelente de insectos dañe las superficies de plástico y pintadas. No rocíe repelente de insectos cerca de la cortadora de césped.
- La exposición prolongada a la luz solar dañará algunas superficies.
- Si la cortadora de césped se deja accidentalmente fuera bajo la lluvia, use paños limpios y secos para secar el asiento, el panel de control, etc., antes de rearmar la cortadora de césped o almacenarla.

⚠ ADVERTENCIA: No deje en ningún momento que líquidos de frenos, gasolina, productos a base de petróleo, aceites penetrantes, etc., entren en contacto con piezas de plástico. Las sustancias químicas pueden dañar, debilitar o destruir el plástico, lo cual puede causar lesiones corporales graves.

LIMPIEZA DE LA MÁQUINA

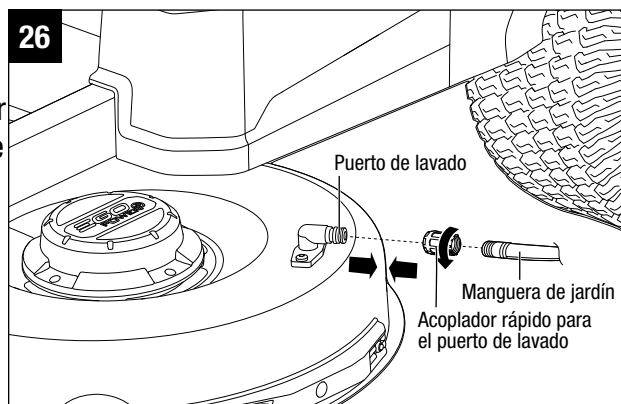
Retire toda acumulación de pasto y hojas en la carcasa de la cortadora de césped o alrededor de la misma. Use protección ocular y utilice aire comprimido después de cada uso para limpiar la carcasa de la cortadora de césped o la parte superior de la plataforma de la cortadora de césped.

La parte inferior de la plataforma de la cortadora de césped también se debe limpiar a intervalos regulares, ya que el pasto cortado, las hojas, la suciedad y otros residuos se acumularán, especialmente cuando el pasto esté mojado o tenga un alto contenido de humedad. Esta acumulación es indeseable, ya que se endurecerá, restringiendo el movimiento de las cuchillas y del aire, y probablemente tendrá como resultado una calidad de corte peor e incluso promoverá la formación de óxido y la corrosión.

Utilización del puerto de lavado para limpiar la plataforma de la cortadora de césped

AVISO: Siga este procedimiento después de CADA USO para prevenir la acumulación y eliminar los productos químicos para el césped que son corrosivos.

IMPORTANTE: Puede lavar la máquina con un detergente suave y agua. No lave a presión la máquina. Evite el uso excesivo de agua, especialmente cerca del panel de control, debajo del asiento y alrededor de los motores y todos los componentes eléctricos y rodamientos.



1. Ponga el pedal del freno de estacionamiento en la posición de frenado. Consulte la sección “**AJUSTE DEL FRENO DE ESTACIONAMIENTO**” de este manual.
2. Ajuste la altura de la plataforma de la cortadora de césped al nivel más bajo. Consulte la sección “**AJUSTE DE LA ALTURA DE LA PLATAFORMA DE CORTE**” de este manual.
3. Conecte el acoplador rápido de lavado suministrado a la manguera de jardín.
4. Conecte la manguera de jardín con el acoplador rápido al puerto de lavado de la plataforma de la cortadora de césped. El puerto de lavado está en el lado izquierdo de la plataforma de la cortadora de césped.
5. Abra la llave del agua.
6. Jale el interruptor de PTO para arrancar las cuchillas de corte de la cortadora de césped y ajustar la velocidad de las cuchillas a su nivel máximo. Consulte la sección “**Botón de ajuste de la velocidad de las cuchillas**” de este manual.
7. Enjuague con agua la parte inferior de la plataforma durante aproximadamente un minuto.
8. Desactive las cuchillas de la cortadora de césped empujando hacia abajo el interruptor de PTO.
9. Cierre la llave del agua y retire la manguera de jardín y el acoplador rápido del puerto de lavado.
10. Retire el acoplador rápido de la manguera de jardín y almacénelo para uso futuro.
11. Apague completamente la cortadora de césped. Consulte la sección “**PARADA DE LA CORTADORA DE CÉSPED ELÉCTRICA CON RADIO DE GIRO CERO**”.

AVISO: Cuando realice limpieza utilizando el puerto de lavado, la cortadora de césped puede estar ya sea en el modo de trituración o en el modo de descarga lateral.

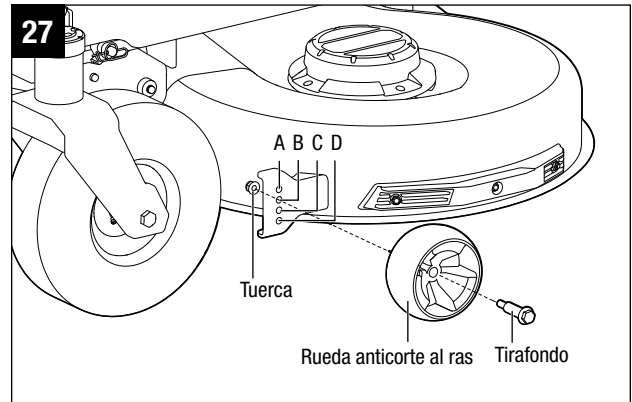
AVISO: Si la cortadora de césped no está limpia después de 1 lavado, repita el proceso hasta que la plataforma esté completamente limpia.

AJUSTE DE LAS RUEDAS ANTICORTE AL RAS (Fig. 27)

Las ruedas anticorte al ras están diseñadas para minimizar la probabilidad de cortar al ras el césped cuando se corte en terreno rugoso y desigual. Después de ajustar la altura de corte, ajuste las ruedas anticorte al ras para que se extiendan por debajo de la plataforma pero no contacten el terreno.

Las ruedas anticorte al ras se pueden ajustar en una de las cuatro posiciones:

-
- Posición A: menos de 2 pulgadas de altura de corte del pasto
 - Posición B: 2 - 3 pulgadas de altura de corte del pasto
 - Posición C: 3 - 4 pulgadas de altura de corte del pasto
 - Posición D: más de 4 pulgadas de altura de corte del pasto



Las ruedas anticorte al ras se ajustan en la Posición B de manera preestablecida en la producción. Se sujetan en la posición correcta por medio de una tuerca y un tirafondo para cada una.

AVISO: Se requieren una llave de tuerca de 1/2 pulgada (13 mm) y una llave de tuerca de 19/32 de pulgada (15 mm) para ajustar las ruedas. Estas llaves no están incluidas.

1. Estacione la cortadora de césped sobre una superficie nivelada y active el freno de estacionamiento.
2. Detenga los motores y retire la llave de seguridad. Deje que las cuchillas de corte se detengan por completo.
3. Suba la plataforma hasta la altura de corte deseada.
4. Utilice primero una llave de tuerca de 1/2 pulgada (13 mm) para estabilizar la tuerca y luego afloje y retire el tirafondo ubicado en el otro lado con una llave de tuerca de 19/32 de pulgada (15 mm).
5. Mueva la rueda anticorte al ras hasta la posición deseada. Luego, apriete firmemente el tirafondo y la tuerca con las llaves de tuerca.
6. Repita el procedimiento con la otra rueda anticorte al ras, asegurándose de que ambas ruedas estén instaladas en la misma posición.

NIVELACIÓN DE LA PLATAFORMA DE LA CORTADORA DE CÉSPED

⚠ ADVERTENCIA: Protéjase siempre las manos usando guantes gruesos o envolviendo los bordes de corte con trapos u otros materiales cuando realice cualquier mantenimiento en la cuchilla de la cortadora de césped.

- Si su césped parece estar cortado de manera desigual después de utilizar la cortadora de césped o cuando se haya reinstalado la cuchilla de la cortadora de césped, es posible que la plataforma de la cortadora de césped necesite ajuste.
- Antes de decidir que es necesario nivelar la plataforma de la cortadora de césped, asegúrese de que las llantas estén infladas correctamente conforme a las PSI recomendadas (sírvese consultar la sección “**COMPROBACIÓN DE LA PRESIÓN**” de este manual). Las llantas demasiado infladas o insuficientemente infladas pueden afectar al aspecto del corte del pasto y es posible que inflar adecuadamente las llantas sea todo lo que se necesita para resolver los problemas de corte desigual. Si las llantas están insuficientemente infladas o demasiado infladas, la plataforma no se puede ajustar correctamente.

- Compruebe si las cuchillas están dobladas antes de realizar la nivelación. Retire y reemplace toda cuchilla doblada. Consulte la sección “**REEMPLAZO DE LAS CUCHILLAS DE CORTE**” de este manual como referencia.
- Ajuste la plataforma mientras la cortadora de césped esté sobre una superficie nivelada. Suba la plataforma hasta la posición más alta.

AVISO: Las ruedas anticorte al ras de la plataforma de la cortadora de césped no deberán entrar en contacto con el piso cuando se esté nivelando la plataforma.

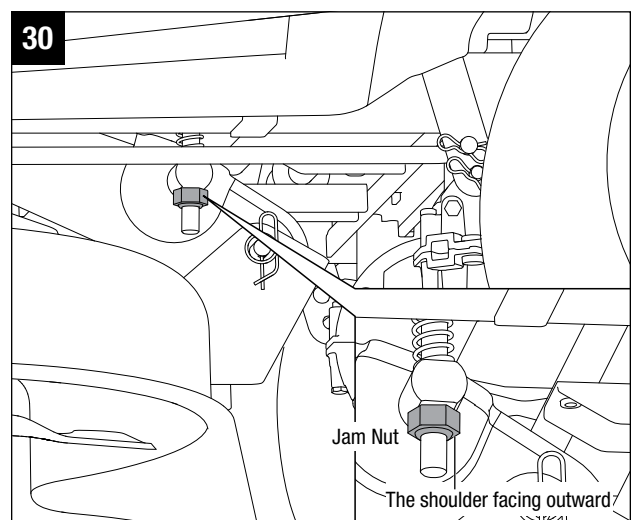
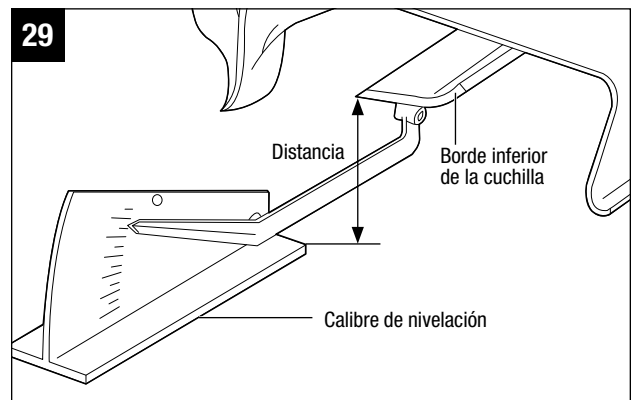
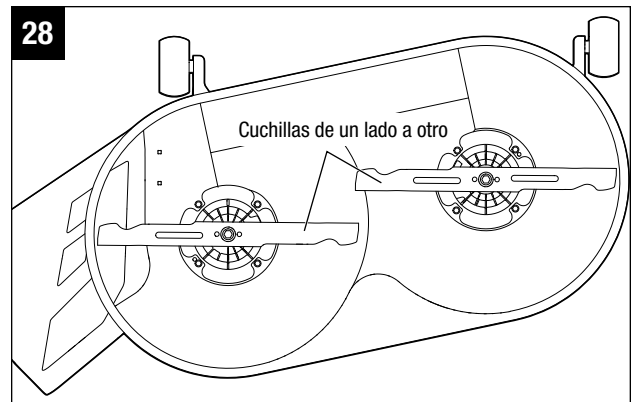
AVISO: La plataforma se debe ajustar ligeramente más alta en la parte trasera.

AVISO: Se requieren una llave de tuerca de 13/16 de pulgada (21 mm) y una llave de tuerca de 23/32 de pulgada (18 mm) para nivelar la plataforma de corte. Las llaves de tuerca no se incluyen.

Para hacer un ajuste de un lado a otro

1. Posicione ambas cuchillas de manera que los extremos apunten hacia los lados de la cortadora de césped (Fig. 28).
2. En el borde exterior de cada cuchilla, mida la distancia desde el borde inferior del lado de la cuchilla hasta el terreno (Fig. 29). Si la distancia entre los dos lados es mayor de 13/64 de pulgada (5 mm), es necesario realizar un ajuste de un lado a otro.
3. En el lado que desea ajustar, utilice una llave de boca abierta de 13/16 de pulgada (21 mm) (no suministrada) para ajustar la contratuerca ubicada en la parte trasera de la cortadora de césped (Fig. 30).
4. Mida de nuevo. Continúe ajustando y midiendo hasta que la diferencia entre la distancia en cada lado no sea superior a 13/64 de pulgada (5 mm).
5. Proceda al ajuste de delante a atrás o reapriete las tuercas.

AVISO: En el caso de que la contratuerca ubicada en la parte trasera se retire accidentalmente de la herramienta, reinstálela con el resalto de la contratuerca orientado hacia fuera. No hay requisito para las dos tuercas ubicadas en el varillaje de suspensión.



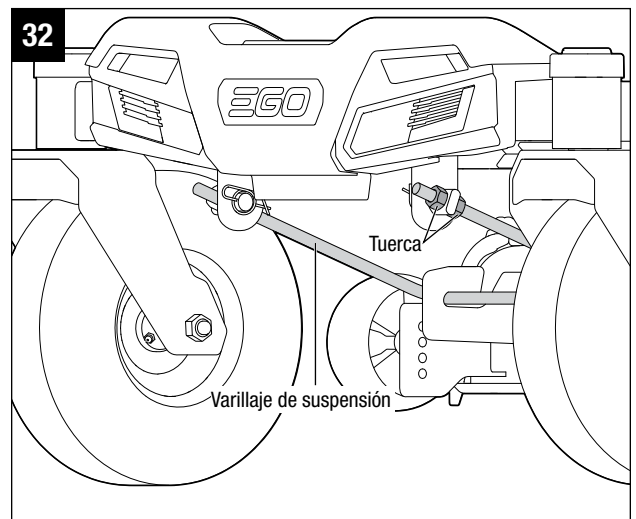
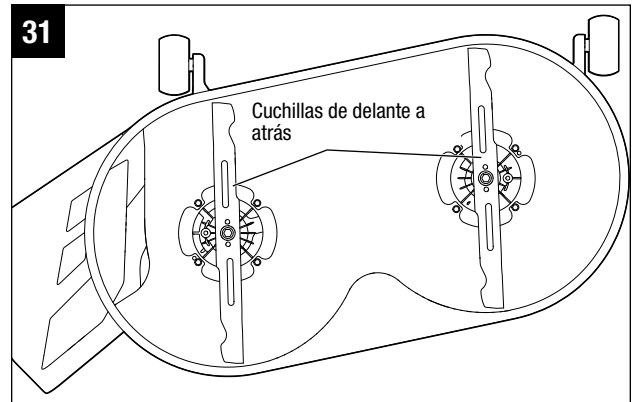
Para hacer un ajuste de delante a atrás

AVISO: Nivele siempre la plataforma de un lado a otro antes de realizar un ajuste de delante a atrás.

1. Posicione ambas cuchillas de manera que los extremos apunten hacia la parte delantera y la parte trasera de la cortadora de césped (Fig. 31).
2. Mida la distancia desde la punta de una cuchilla hasta el terreno (vea la Fig. 29). Para obtener los mejores resultados, la punta delantera de la cuchilla deberá estar de $5/64$ de pulgada a $25/64$ de pulgada (2 mm a 10 mm) más baja que la punta trasera.
3. Si es necesario realizar un ajuste de delante a atrás, utilice una llave de boca abierta de $23/32$ de pulgada (18 mm) (no suministrada) para ajustar las cuatro tuercas ubicadas en el varillaje de suspensión (dos para cada lado).

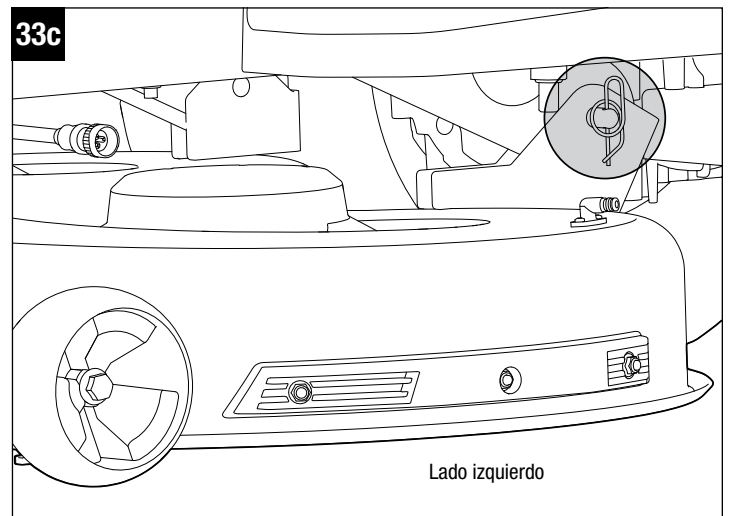
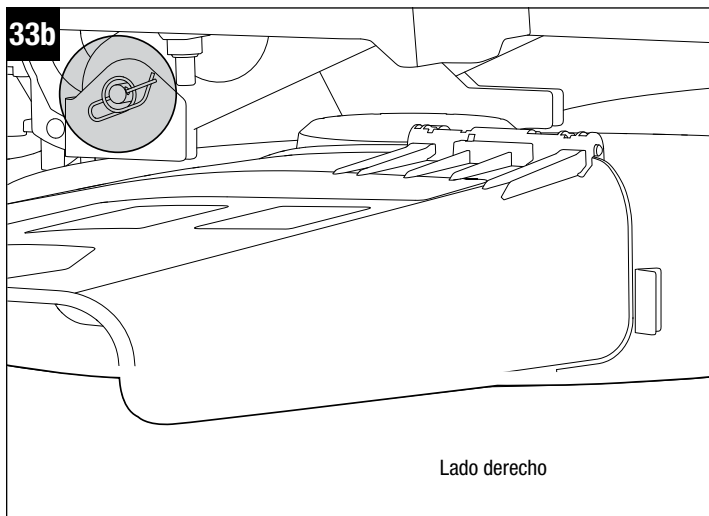
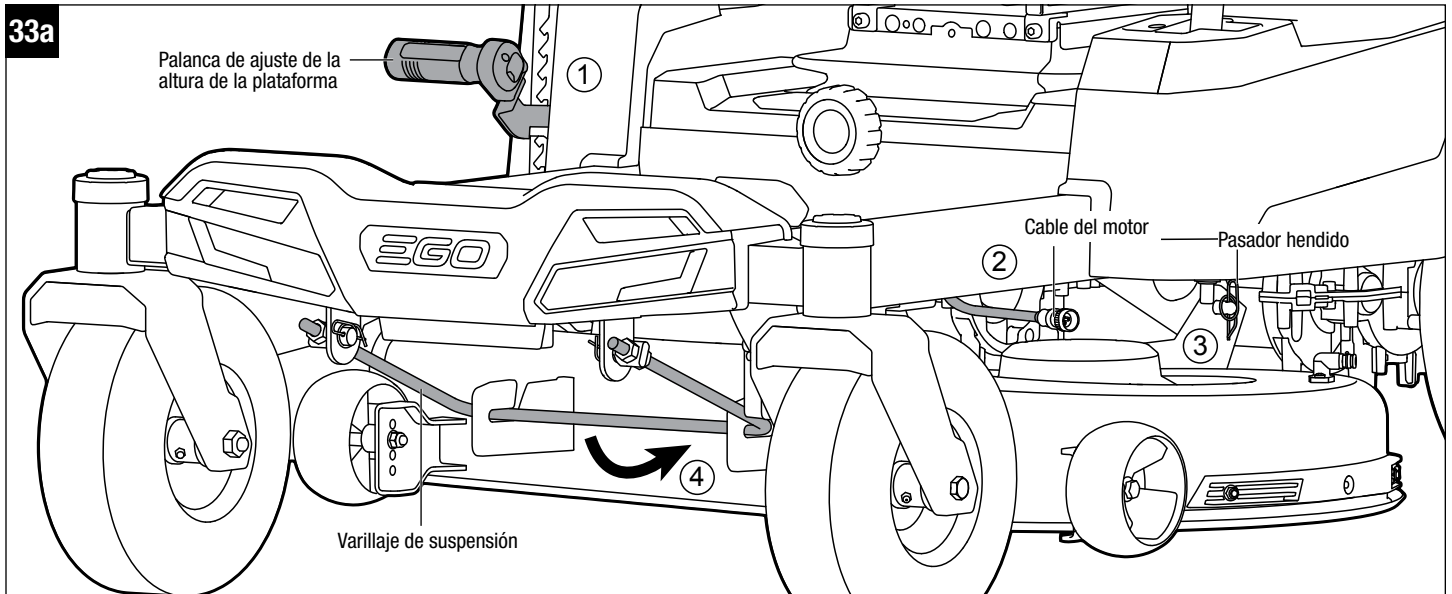
AVISO: Asegúrese de girar igualmente las tuercas correspondientes en ambos lados para evitar alterar la medición de un lado a otro.

4. Mida de nuevo para verificar que la punta delantera está ahora de $5/64$ de pulgada a $25/64$ de pulgada (2 mm a 10 mm) más baja que la punta trasera. Si no es así, siga ajustando y midiendo hasta que lo esté.
5. Reapriete las tuercas. La fuerza de torsión recomendada para las tuercas es 52-57 pies-lb (38-42 Nm).



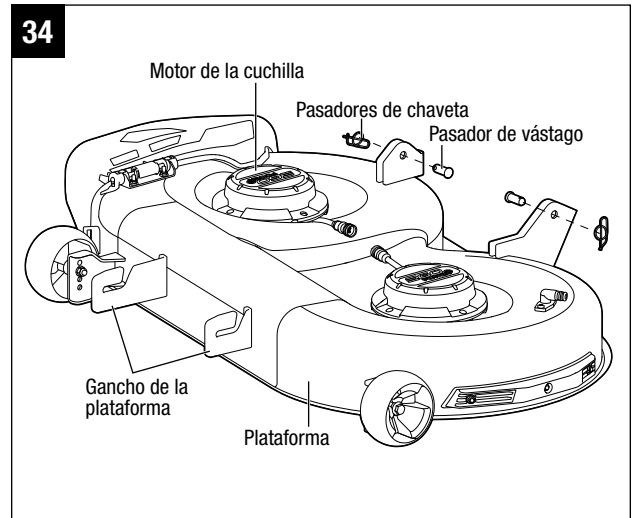
REMOCIÓN DE LA PLATAFORMA DE LA CORTADORA DE CÉSPED (Fig. 33a y b y c)

⚠ ADVERTENCIA: Asegúrese de que la cortadora esté firmemente sujeta y que el freno de estacionamiento esté activado antes de seguir adelante. Suba la plataforma hasta la altura de corte MÁS ALTA para facilitar el acceso a las cuchillas.



- Siga los pasos que se indican a continuación para retirar primero la plataforma de la cortadora de césped del producto y luego realice el mantenimiento.

1. Estacione la cortadora de césped en una superficie nivelada y active el freno de estacionamiento.
2. Pare los motores y retire la llave de seguridad. Deje que las cuchillas de corte se detengan por completo.
3. Ajuste la palanca de ajuste de la altura de la plataforma en la posición de altura de corte más baja.
4. Desconecte los cables de los motores de las cuchillas.
5. Ponga una alfombra o un tapete (de tamaño similar al de la plataforma) debajo de la plataforma para prevenir daños a la misma.



6. Retire los pasadores de chaveta y empuje hacia fuera los pasadores del eje. Guarde ambos conjuntos para reensamblar la plataforma.
7. Empuje hacia delante la plataforma (hacia las ruedas delanteras) y rote el varillaje de suspensión en sentido contrario al de las agujas del reloj para que se libere de los ganchos de la plataforma.
8. Empuje hacia un lado la plataforma y retírela de debajo de la cortadora de césped (Fig. 34).
9. Limpie la cubierta o reemplace la cuchilla tal y como se indica en la sección “**REEMPLAZO DE LA CUCHILLA DE CORTE**” de este manual.
10. Cuando se haya completado la limpieza o el reemplazo de la cuchilla, reensamble la plataforma sobre la cortadora de césped en orden inverso.

AVISO: Reconecte los cables del motor, asegurándose de que el cable del motor izquierdo vaya al motor izquierdo y que el cable del motor derecho vaya al motor derecho. En los cables se indica izquierdo o derecho.

REEMPLAZO DE LAS CUCHILLAS DE CORTE

Para retirar la cuchilla de corte

⚠ ADVERTENCIA: Always **ADVERTENCIA:** Protéjase siempre las manos usando guantes gruesos o envolviendo los bordes de corte con trapos u otros materiales cuando realice cualquier mantenimiento en la cuchilla de la cortadora de césped. Retire siempre la llave de seguridad y los paquetes de batería cuando realice servicio de ajustes y reparaciones o transporte la cortadora de césped.

AVISO: Se requieren las siguientes herramientas (no incluidas) para reemplazar la cuchilla:

- Llave de tuerca de 9/16 de pulgada (14 mm)
- Llave de torsión con bocallaves de 9/16 de pulgada (14 mm)
- Destornillador o varilla metálica de 5/16 de pulgada (8 mm) o menos
- Destornillador o varilla metálica de 1/4 de pulgada (6,35 mm) o menos

Herramientas que facilitan la vida: La llave de impacto con bocallaves de 9/16 de pulgada (14 mm) hace que la retirada de los pernos de las cuchillas sea mucho más fácil.

1. Retire la plataforma de la cortadora de césped siguiendo la sección “**REMOCIÓN DE LA PLATAFORMA DE LA CORTADORA DE CÉSPED**” de este manual.
2. Voltee la plataforma sobre el terreno con las cuchillas orientadas hacia arriba.
3. Mientras usa guantes protectores, coloque un destornillador o una varilla metálica con un diámetro de menos de 5/16 de pulgada (8 mm) en el agujero de fijación ubicado en el motor para que actúe como estabilizador. Coloque otra varilla metálica con un diámetro de menos de 1/4 de pulgada (6,35 mm) (p. ej., una broca) en el agujero alineado de la cuchilla y la brida para que actúe como otro estabilizador (Fig. 35).
4. Utilice una llave de tuerca ajustable o una llave de tubo de 9/16 de pulgada (14 mm) (no incluida) para girar el perno de la hoja en sentido contrario al de las agujas del reloj para aflojarlo (Fig. 35).
5. Mientras usa guantes protectores, retire el perno, la arandela y la cuchilla (Fig. 36). La brida se puede guardar en el eje del motor.

Para instalar la cuchilla de corte

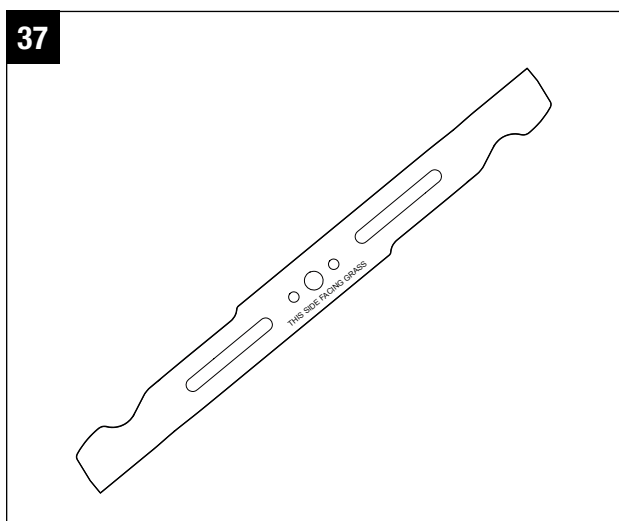
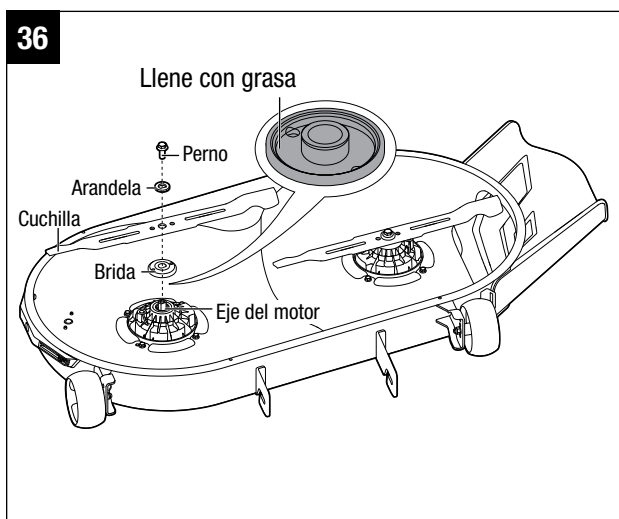
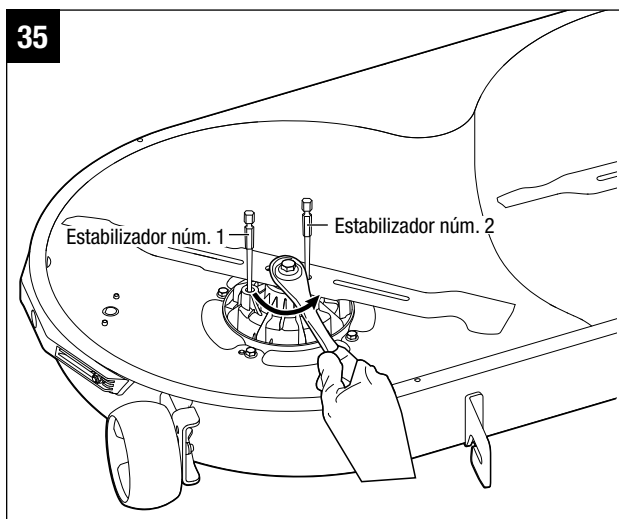
⚠ ADVERTENCIA: Protéjase siempre las manos usando guantes gruesos o envolviendo los bordes de corte con trapos u otros materiales cuando realice cualquier mantenimiento en la cuchilla de la cortadora de césped. Retire siempre la llave de seguridad y el paquete de batería cuando realice servicio de ajustes y reparaciones o transporte la cortadora de césped.

AVISO: Para reinstalar o reemplazar la cuchilla, asegúrese de que todas las piezas se reinstalen en el orden exacto en que se retiren (Fig. 36).

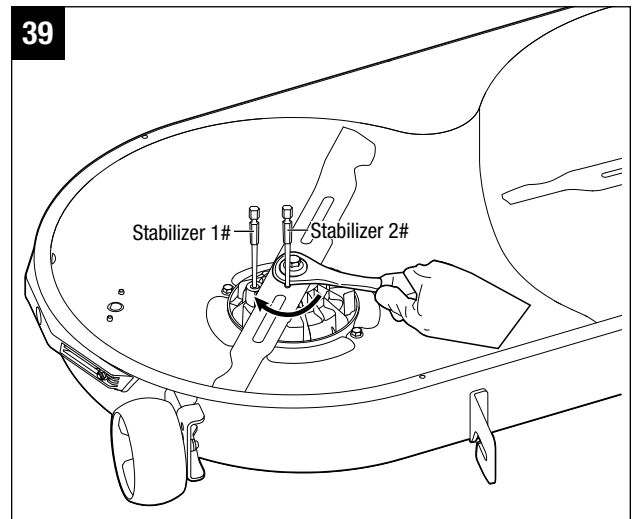
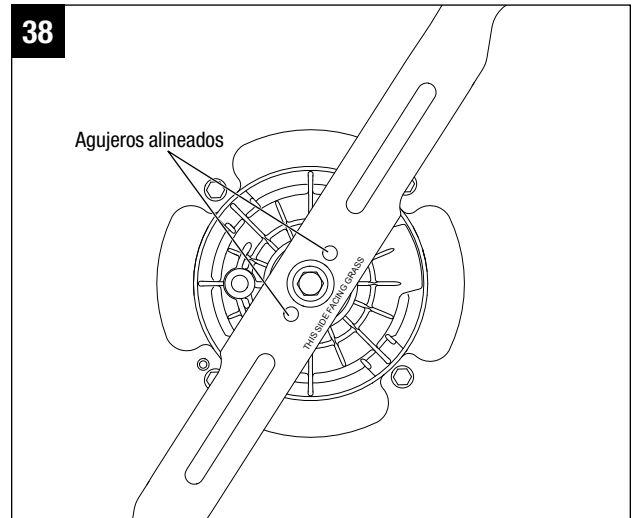
1. Si la brida se retira durante la remoción de la cuchilla, alinéela primero con el eje del motor y luego ensámblela en la posición correcta.

AVISO: Cada 50 horas: examine el nivel de grasa en el interior de la brida volteándola hasta la posición invertida. Si la cantidad de grasa es baja, llene el área cóncava de la brida con grasa para engranajes antes de realizar el reensamblaje. Se recomienda grasa que pueda cumplir con los siguientes requisitos:

- Penetración de grado NLGI: NLGI-3;
- Tipo de espesante: Espesante de jabón de litio;



- Intervalo de temperatura de funcionamiento recomendado: -4 – 248 °F (-20 – 120 °C);
- 2. Mientras usa guantes protectores, posicione la cuchilla sobre la brida con la superficie marcada con las palabras “**THIS SIDE FACING GRASS**” (ESTE LADO ORIENTADO HACIA EL PASTO) orientadas hacia el exterior (Fig. 37).
- 3. Alinee la arandela con el eje del motor y móntela en el eje del motor.
- 4. Monte el perno en el eje del motor. Apriete a mano el perno en el sentido de las agujas del reloj.
- 5. Mueva la cuchilla con la mano para alinear los dos agujeros de la cuchilla con los dos agujeros de la brida (Fig. 38).
- 6. Coloque una varilla metálica con un diámetro de menos de 1/4 de pulgada (6,35 mm) (p. ej., una broca) en el agujero alineado de la cuchilla y la brida para que actúe como estabilizador. Coloque otro destornillador u otra varilla metálica con un diámetro de menos de 5/16 de pulgada (8 mm) en el agujero de fijación ubicado en el motor para que actúe como estabilizador (Fig. 39).
- 7. Utilice una llave de torsión de 9/16 pulgadas (14 mm) para apretar el perno en el sentido de las agujas del reloj. La fuerza de torsión recomendada para el perno de la cuchilla es 50-55 pies-lb (36-41Nm).
- 8. Repita el procedimiento con la segunda cuchilla, en caso de que sea necesario.
- 9. Reensamble la plataforma sobre la cortadora de césped tal y como se indica en la sección “**REMOCIÓN DE LA PLATAFORMA DE LA CORTADORA DE CÉSPED**” de este manual.



⚠ ADVERTENCIA: Asegúrese de que la cuchilla esté asentada correctamente y que la tuerca de la cuchilla esté apretada de acuerdo con las especificaciones de fuerza de torsión indicadas anteriormente. El hecho de no sujetar correctamente la cuchilla podría hacer que esta se afloje y cause posibles lesiones corporales graves.

AFILADO DE LA CUCHILLA DE CORTE

⚠ ADVERTENCIA: Protéjase siempre las manos usando guantes gruesos o envolviendo los bordes de corte con trapos u otros materiales cuando realice cualquier mantenimiento en la cuchilla de la cortadora de césped. Retire siempre la llave de seguridad y los paquetes de batería cuando realice servicio de ajustes y reparaciones o transporte la cortadora de césped.

⚠ ADVERTENCIA: Use siempre protección de los ojos con escudos laterales marcados para cumplir con la norma ANSI Z87.1. Si no se hace así, el resultado podría ser que se lancen objetos hacia los ojos del operador, lo cual causará posibles lesiones graves.

⚠ ADVERTENCIA: Una cuchilla desgastada, agrietada o dañada puede romperse y los pedazos de la cuchilla dañada se pueden convertir en proyectiles peligrosos. Los objetos lanzados al aire pueden causar lesiones graves. Inspeccione regularmente la cuchilla y no utilice la cortadora de césped con una cuchilla desgastada o dañada.

AVISO: Mantenga la cuchilla afilada para obtener el mejor rendimiento de la cortadora de césped. Una cuchilla desafilada no corta el pasto de manera limpia ni tritura correctamente. **Una cuchilla desafilada se puede afilar, pero una cuchilla que esté excesivamente desgastada, doblada, agrietada o dañada de alguna otra manera debe ser reemplazada.** Una cuchilla desgastada o dañada se puede romper y con ello hacer que pedazos de la cuchilla sean lanzados al aire desde la cortadora de césped. Si se comprueba que las cuchillas están dobladas, lleve la cortadora de césped a un centro de servicio EGO autorizado para que sea inspeccionada. **No intente nunca enderezar una cuchilla doblada calentándola ni soldar una cuchilla agrietada o rota.**

FRECUENCIA DE AFILADO

Afilarse la cuchilla de corte dos veces durante una temporada de corte de césped generalmente es suficiente en circunstancias normales. La arena hace que la cuchilla se desafilarse rápidamente; si su césped tiene terreno arenoso, es posible que sea necesario afilar la cuchilla con más frecuencia.

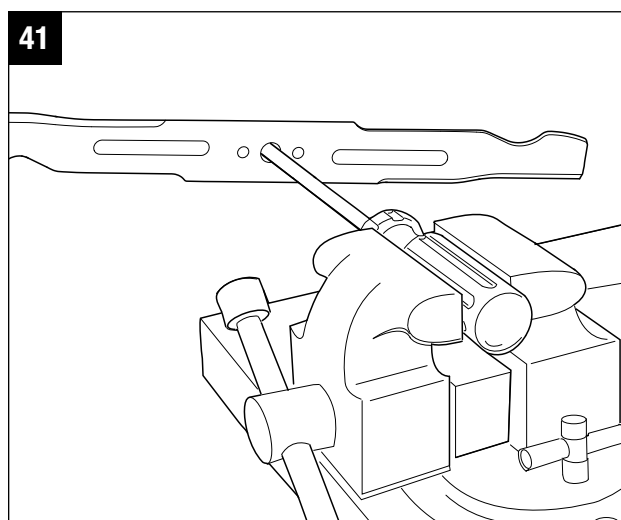
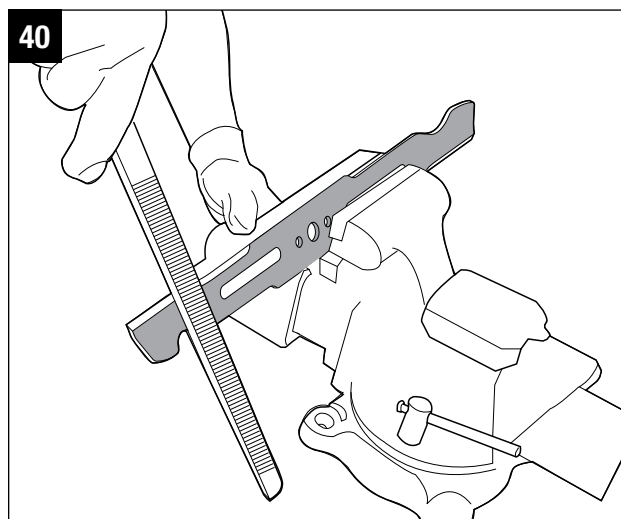
CUANDO AFILARE LA CUCHILLA DE CORTE

1. Asegúrese de que la cuchilla permanezca equilibrada.
2. Afile la cuchilla de corte con el ángulo de corte original.
3. Afile los bordes de corte en ambos extremos de la cuchilla, retirando una cantidad igual de material de cada extremo.

AFILADO DE LA CUCHILLA EN UNA PRENSA DE TORNILLO

1. Retire la cuchilla de la cortadora de césped (sírvese consultar la sección “**REEMPLAZO DE LA CUCHILLA DE CORTE**” de este manual).
2. Sujete firmemente la cuchilla en una prensa de tornillo (Fig. 40).
3. Use protección adecuada de los ojos y guantes adecuados, y tenga cuidado de no cortarse.
4. Lime cuidadosamente los bordes de corte de la cuchilla con una lima de dientes finos o una piedra de afilar, manteniendo el ángulo original del borde de corte.
5. Para comprobar el equilibrio de la cuchilla: sujete con abrazaderas un clavo o un destornillador con vástago redondo en posición horizontal. Posicione la cuchilla de manera que el clavo o el vástago redondo del destornillador soporte la cuchilla a través de su agujero central. Equilibre la cuchilla horizontalmente. Si cualquiera de los dos extremos de la cuchilla rota hacia abajo, retire un poco de metal del extremo pesado o inferior hasta que la cuchilla esté equilibrada. La cuchilla está equilibrada cuando ninguno de los dos extremos desciende (Fig. 41).
6. Reemplace la cuchilla y móntela firmemente en la cortadora de césped (sírvese consultar la sección “**REEMPLAZO DE LA CUCHILLA DE CORTE**” de este manual).

⚠ ADVERTENCIA: Una cuchilla desequilibrada causará una vibración excesiva cuando rote a altas velocidades. Es posible que cause daños a la cortadora y se podría romper y con ello causar lesiones corporales.



COMPROBACIÓN DE LA PRESIÓN DE LAS LLANTAS

Compruebe la presión de aire de todas las llantas antes de utilizar la máquina. Una presión de aire incorrecta afectará al manejo, la respuesta de la dirección, la tracción, la vida útil de las llantas, el corte nivelado y la comodidad del operador. Asegúrese de que las llantas estén infladas con la presión que se muestra a continuación.

Es importante para cortar el césped de manera nivelada que todas las llantas tengan la cantidad correcta de presión de aire. Si la cortadora de césped no está siguiendo una trayectoria en línea recta, sírvase comprobar primero la presión de aire de las ruedas.

AVISO: La presión de las llantas solo se deberá medir o ajustar cuando las llantas estén frías.

Presión recomendada	Rueda delantera	Rueda trasera
		32 PSI (222.1 kPa)

⚠ ADVERTENCIA: Compruebe minuciosamente la presión de las llantas mientras las infla. Demasiado aire en la llanta podría hacer que esta reviente y con ello causar lesiones corporales graves.

⚠ ADVERTENCIA: Es muy importante mantener la presión de aire correcta en las llantas. Una presión demasiado baja podría permitir que la llanta rote saliéndose del rin de la rueda. Demasiada presión podría hacer que la llanta reviente. Si no se mantiene la presión de aire correcta en las llantas se podrían causar problemas con el funcionamiento y la estabilidad de la cortadora de césped, y con ello causar lesiones corporales graves.

REEMPLAZO DE LAS RUEDAS

AVISO: Se necesitan las siguientes herramientas (no incluidas) para reemplazar las ruedas:

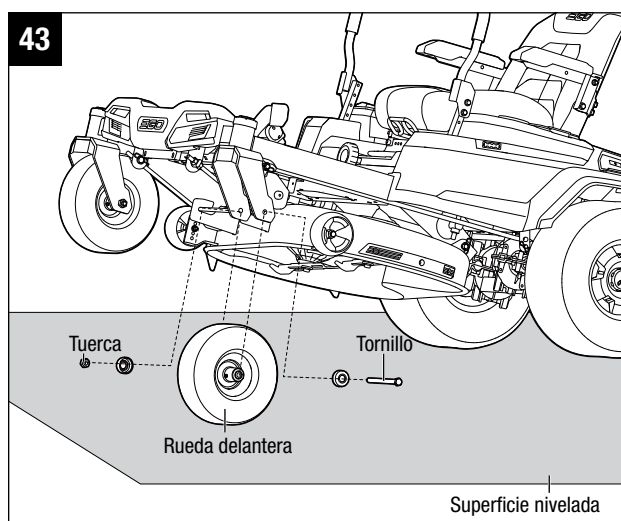
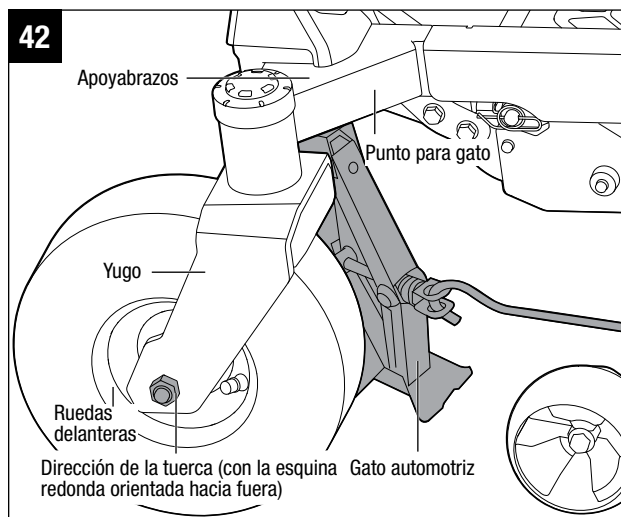
- Gato automotriz.
- Soporte de gato.
- Calzas de rueda.
- Llave de boca abierta o llave de tuerca ajustable. Los tamaños requeridos son 13/16 de pulgada (21 mm) y 23/32 de pulgada (18 mm).
- Llave de torsión con bocallave de 13/16 de pulgada (21 mm).
- Destornillador de hoja plana.

⚠ ADVERTENCIA: Si va a subir la cortadora de césped, asegúrese de que esté firmemente sujeta y que el freno de estacionamiento esté activado antes de seguir adelante. Si la cortadora de césped no se sujeta firmemente, el resultado podría ser que se caiga, lo cual causará la muerte o posibles lesiones corporales graves.

Para reemplazar la rueda delantera (Fig. 43)

Compruebe las ruedas a intervalos de 200 horas. Compruebe si las ruedas delanteras giran libremente. Si una rueda no gira libremente, reemplácela.

1. Levante el brazo de la rueda que debe reemplazarse con un gato de automóvil. Utilice únicamente el punto de gato recomendado que se muestra en la Fig. 42.
2. Utilice primero la llave de tuerca de 23/32 de pulgada (18 mm) (no incluida) para estabilizar el tornillo y luego afloje y retire la tuerca ubicada en el otro lado con una llave de tuerca de 13/16 de pulgada (21 mm).
3. Jale la rueda en dirección hacia delante o hacia abajo, hasta sacarla de la horquilla (Fig. 43). Reemplace la rueda delantera.
4. Cuando instale la rueda nueva, tenga cuidado con la dirección de la tuerca y apriétela con una llave de torsión (Fig. 42). La fuerza de torsión recomendada para la tuerca de la rueda delantera es 66-70 pies-lb (90-95 Nm).



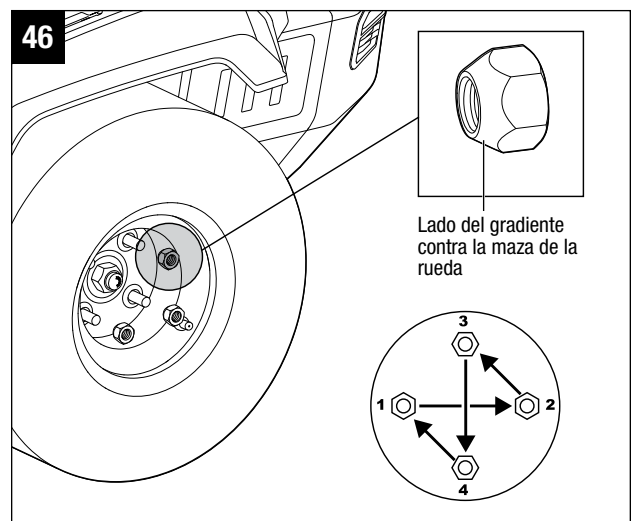
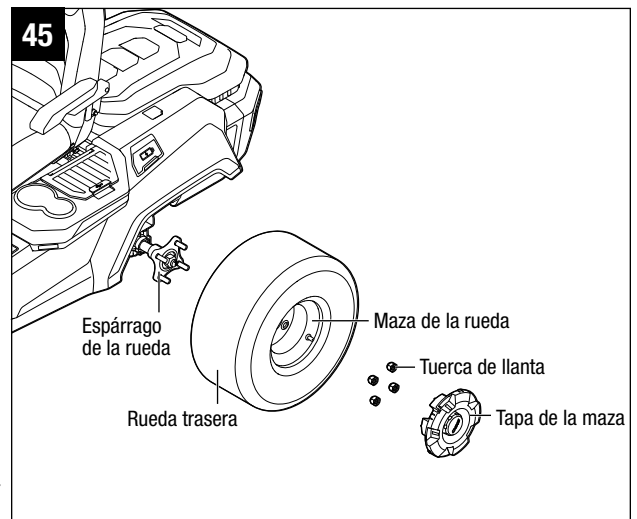
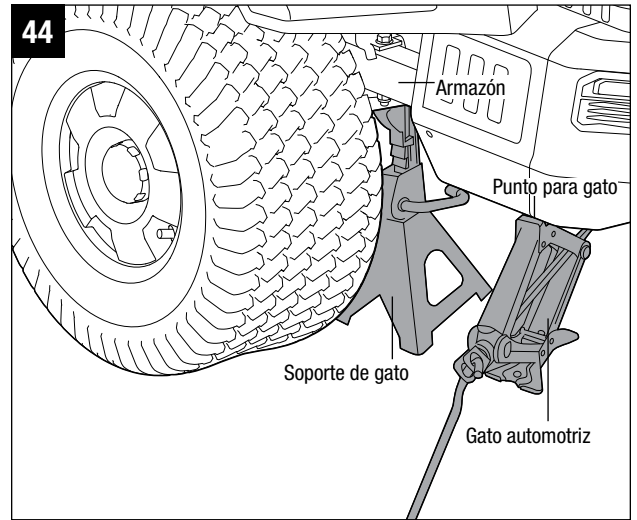
Para reemplazar la rueda trasera (Fig. 45)

La rueda trasera de la cortadora de césped con radio de giro cero es una rueda motriz. Cuando esté dañada, el rendimiento de la cortadora de césped resultará influenciado enormemente. Reemplácela de inmediato.

1. Restrinja el movimiento de las ruedas delanteras con calzas de rueda.
2. Levante el lado afectado de la cortadora de césped con un gato automotriz en el punto para gato que se muestra en la Fig. 44.
3. Inserte el soporte de gato debajo del armazón de la cortadora de césped. Baje el gato automotriz hasta que el armazón de la cortadora de césped descansa sobre el soporte de gato.
4. Utilice un destornillador de hoja plana (no incluido) para hacer palanca y retirar la tapa de la maza de la rueda trasera.
5. Utilice la llave de tubo de 13/16 de pulgada (21 mm) (no incluida) para aflojar las cuatro tuercas de llanta (una vuelta para cada tuerca).
6. Retire las cuatro tuercas de llanta ubicadas en la rueda trasera. Revise las cuatro tuercas de llanta y, si están en buenas condiciones, guárdelas para el reensamblaje. De lo contrario, reemplácelas al mismo tiempo.
7. Jale la rueda hacia fuera de los espárragos de la rueda. Reemplace la rueda.
8. Cuando fije la rueda nueva, asegúrese de que la orientación de las tuercas de llanta sea correcta, con el extremo cónico contra la maza de la rueda. Apriete con los dedos las tuercas de llanta.
9. Baje la cortadora de césped invirtiendo los pasos 2 y 3. Apriete las tuercas de llanta en el orden mostrado en la Fig. 45 utilizando una llave de torsión. La fuerza de torsión recomendada para las tuercas de llanta de las ruedas traseras es 74-76 pies-lb (101-103 Nm).



⚠ ADVERTENCIA: Se debe prestar atención especial a apretar las tuercas de las ruedas, especialmente la tuerca de llanta de las ruedas motrices. Si no se aprietan correctamente estos elementos, es posible que el resultado sea la pérdida de una rueda, lo cual puede causar daños graves o lesiones corporales graves.

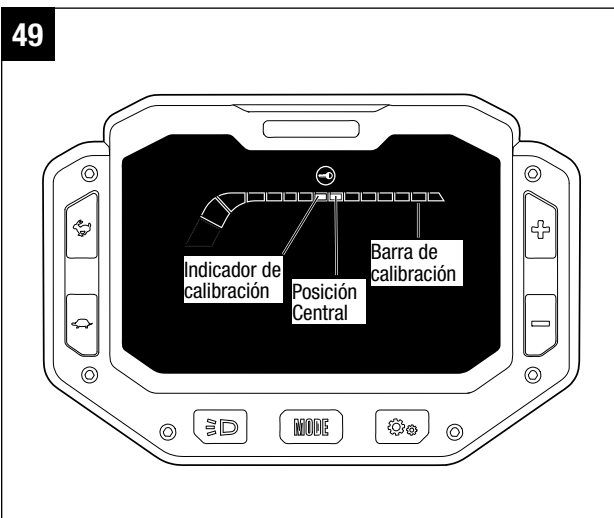
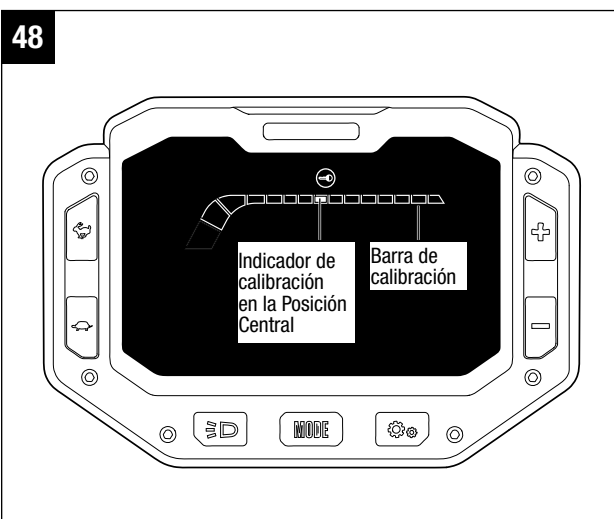
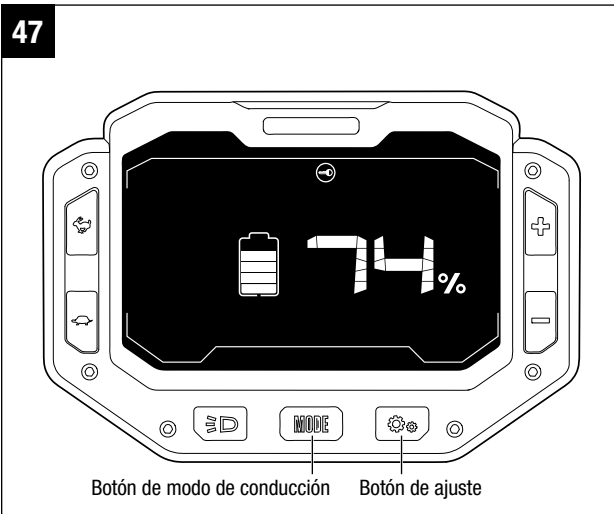
TUERCAS DE LLANTA SOLAMENTE - Se recomienda que estos elementos se revisen después de las primeras 2 horas de utilización, inicialmente, cada 100 horas y después de retirarlas para reparación o reemplazo.



CALIBRE EL SISTEMA DE AJUSTE DE LA TRAYECTORIA DE LA CORTADORA DE CÉSPED

Si la cortadora de césped no está siguiendo una trayectoria recta, compruebe primero la presión de aire de las llantas de ambas ruedas traseras. Si las presiones de las llantas están ajustadas conforme a la recomendación de la sección “**COMPROBACIÓN DE LA PRESIÓN DE LAS LLANTAS**” de este manual, calibre el sistema de ajuste de la trayectoria de la cortadora de césped de la siguiente manera:

1. Inserte los paquetes de batería en los compartimientos de batería de la unidad de energía.
2. Ponga el pedal del freno de estacionamiento en la posición de frenado.
3. Presione brevemente el botón de arranque/parada y la pantalla LCD mostrará “**Fuel Gauge**” (Indicador de combustible) (Fig. 47).
4. Mantenga presionado el botón de modo de conducción y el botón de configuración simultáneamente durante más de 3 segundos para ingresar a la interfaz de calibración. El indicador sonoro sonará una vez y la pantalla LCD mostrará la barra de calibración con el indicador de calibración en la posición central (Fig. 48).
5. Cuando la cortadora de césped se desvíe hacia la izquierda, la rueda derecha de la misma deberá ser calibrada presionando brevemente el botón de ajuste de la velocidad de conducción “”. Presione una vez, el indicador de calibración se moverá hacia la cuadrícula derecha desde la posición central y seguirá parpadeando (Fig. 49).
6. Cuando la cortadora de césped se desvíe hacia la derecha, la rueda izquierda de la misma deberá ser calibrada presionando brevemente el botón de ajuste de la velocidad de conducción “”. Appuyez une fois, l’indicateur d’étalonnage se déplacera vers la gauche d’une grille à partir de la position centrale et continue de clignoter.
7. Cuando se haya terminado la calibración, presione el botón de configuración para guardar y salir de la interfaz de calibración. El indicador emisor de pitidos sonará una vez para indicar que la calibración se ha almacenado exitosamente. Rearranque la cortadora de césped para comprobar si esta se puede conducir en línea recta. De lo contrario, repita los pasos que anteceden hasta que la cortadora de césped siga una trayectoria en línea recta.



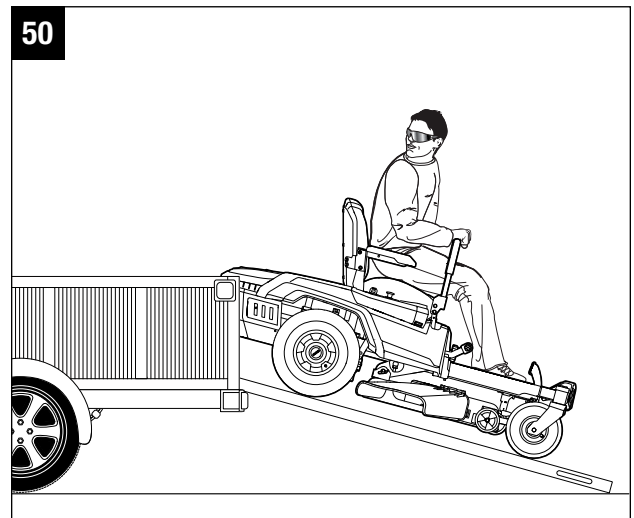
RESTABLECIMIENTO DE LA CORTADORA DE CÉSPED A LA CONFIGURACIÓN DE FÁBRICA INICIAL

1. Inserte los paquetes de batería en los compartimientos de batería de la unidad de energía.
2. Ponga el pedal del freno de estacionamiento en la posición de frenado.
3. Presione brevemente el botón de arranque/parada y la pantalla LCD mostrará “**Fuel Gauge**” (Indicador de combustible) (vea la Fig. 47).
4. Presione y mantenga presionados simultáneamente el botón de luces LED y el botón de ajuste durante más de 5 segundos. El indicador emisor de pitidos sonará una vez como recordatorio y el indicador de estado de la cortadora de césped ubicado en la pantalla LCD parpadeará en NARANJA. Eso indicará que el restablecimiento ha sido exitoso.

TRANSPORTE DE LA CORTADORA DE CÉSPED

Consulte “**TRANSPORTE**” en este manual para obtener instrucciones de seguridad antes de transportar la cortadora de césped.

1. Estacione la cortadora de césped sobre una superficie nivelada.
2. Suba la plataforma de corte hasta la posición más alta.
3. Posicione y fije rampas de anchura completa hasta el remolque. Las rampas de anchura completa minimizarán el riesgo de que las ruedas de la cortadora de césped se salgan por un lado de la rampa.
4. Haga retroceder lentamente la cortadora de césped sobre la rampa y hacia el interior del remolque (Fig. 50).
5. Detenga la cortadora de césped y active el pedal del freno de estacionamiento.
6. Ponga en la posición de apagado el botón de arranque/parada y retire la llave de seguridad.
7. Fije la cortadora de césped según sea necesario, utilizando correas o cables para impedir que se mueva durante el transporte.




ALMACENAMIENTO


Se deberán seguir los siguientes pasos para preparar la cortadora de césped para almacenarla.

- Retire los paquetes de batería de la cortadora de césped y almacene las baterías en un lugar fresco y seco.
- Retire la llave de seguridad de la cortadora de césped.
- Limpie minuciosamente la cortadora de césped. Consulte la sección “**LIMPIEZA DE LA MÁQUINA**” de este manual como referencia.
- Inspeccione la cortadora de césped para determinar si hay piezas desgastadas o dañadas y apriete todas las tuercas o tornillos que se puedan haber aflojado.
- Almacene la cortadora de césped en un lugar limpio y seco. No la almacene junto a materiales corrosivos, tales como fertilizante o sal de roca.
- Almacene la cortadora de césped en un espacio cerrado y cubierto, fuera del alcance de los niños.

AVISO: Las cubiertas de plástico atrapan la humedad alrededor de la cortadora de césped, lo cual causa formación de óxido y corrosión.

RESOLUCIÓN DE PROBLEMAS

PROBLEMA	CAUSA	SOLUCIÓN
<p>La cortadora de césped eléctrica con radio de giro cero no logra desplazarse cuando las dos palancas de dirección se empujan hacia delante o hacia detrás al principio.</p> <p> El ícono de las palancas de dirección parpadea</p>	<ul style="list-style-type: none"> ■ Los Ah combinados de las baterías insertadas son menos de 15 Ah. ■ El pedal del freno de estacionamiento está colocado en la posición de frenado. ■ Las palancas de dirección no están en la posición abierta al arrancar la cortadora de césped. ■ El operador no está sentado en el asiento. ■ El interruptor del asiento no está conectado correctamente. 	<ul style="list-style-type: none"> ■ Para arrancar esta cortadora de césped, se requieren baterías EGO que totalicen 15 Ah (2 X BA4200/BA4200T) o más. Para obtener el mejor rendimiento, recomendamos utilizar baterías EGO que totalicen 30 Ah o más. ■ Presione completamente el pedal del freno de estacionamiento para liberarlo de la posición de frenado. ■ Devuelva las palancas de dirección a la posición abierta y rearranque la cortadora de césped. ■ Solo cuando el operador esté sentado correctamente en el asiento podrá operar la cortadora de césped para conducirla ■ Retire la batería de la cortadora de césped y desensamble el asiento en orden inverso a las instrucciones de la sección “PARA INSTALAR EL ASIENTO” de este manual para realizar una inspección de la conexión del interruptor del asiento. Reensamble el asiento y siga las instrucciones de la sección “ARRANQUE DE LA CORTADORA DE CÉSPED ELÉCTRICA CON RADIO DE GIRO CERO” para rearrancar la cortadora de césped con el fin de determinar si esta se puede arrancar. Si no se puede arrancar, contacte a un técnico de servicio calificado para que la repare.
<p>La cortadora de césped eléctrica con radio de giro cero deja de desplazarse.</p>	<ul style="list-style-type: none"> ■ Las palancas de dirección requieren un “reajuste”. ■ Los componentes de control eléctricos de las palancas de dirección han fallado. ■ El interruptor del asiento se está aflojando durante la conducción en malas condiciones de corte de pasto. 	<ul style="list-style-type: none"> ■ Devuelva las palancas de dirección a la posición abierta y rearranque la cortadora de césped ■ Contacte a un técnico de servicio calificado para que realice la reparación ■ Retire la batería de la cortadora de césped y desensamble el asiento en orden inverso al de las instrucciones de la sección “PARA INSTALAR EL ASIENTO” de este manual para realizar una inspección de la conexión del interruptor del asiento. Reensamble el asiento y siga las instrucciones de “ARRANQUE DE LA CORTADORA DE CÉSPED ELÉCTRICA CON RADIO DE GIRO CERO” para rearrancar la cortadora de césped con el fin de determinar si esta se puede arrancar. Si no se puede arrancar, contacte a un técnico de servicio calificado para que la repare.
<p>La velocidad de conducción/el modo de conducción no se puede ajustar durante la conducción.</p>	<ul style="list-style-type: none"> ■ Esto es una característica de la cortadora de césped eléctrica con radio de giro cero para conducir de manera segura. 	<ul style="list-style-type: none"> ■ Esta función solo se activará cuando las ruedas de la cortadora de césped estén detenidas y las palancas de dirección estén abiertas.

PROBLEMA	CAUSA	SOLUCIÓN
<p>La cortadora de césped eléctrica con radio de giro cero no logra arrancar las cuchillas cuando el interruptor de PTO está activado.</p>  <p>El icono del interruptor de PTO parpadea</p>	<ul style="list-style-type: none"> ■ Los Ah combinados de las baterías insertadas son menos de 15 Ah. ■ El interruptor de PTO no se presionó hacia abajo cuando la cortadora de césped se detuvo la última vez. ■ La cortadora de césped está sobrecargada en el momento en que las cuchillas arrancan, lo cual tiene como resultado autoprotección del motor 	<ul style="list-style-type: none"> ■ Para arrancar esta cortadora de césped, se requieren baterías EGO que totalicen 15 Ah (2 X BA4200/BA4200T) o más. Para obtener el mejor rendimiento, recomendamos utilizar baterías EGO que totalicen 30 Ah o más. ■ Presione hacia abajo el interruptor de PTO y re arranque las cuchillas de la cortadora de césped. ■ Comience primero a cortar el pasto con la cortadora de césped en la velocidad más baja de las cuchillas y hasta que las cuchillas estén consiguiendo una rotación sucesiva, no acelere la velocidad de las cuchillas según sea necesario.
<p>Las cuchillas dejan de funcionar durante el corte de pasto.</p>	<ul style="list-style-type: none"> ■ La cortadora de césped está sobrecargada. ■ La plataforma de la cortadora de césped está obstruida con pasto y residuos. ■ La cortadora de césped está sobrecalentada. ■ El paquete de baterías en la batería del cortacésped el compartimento se sobrecalienta, lo que hace que el Ah combinado de las baterías insertadas sea inferior a 15 Ah. La cortadora de césped deja de funcionar. ■ La cortadora de césped está en el modo de funcionamiento reducido. ■ La cortadora de césped está golpeando un objeto extraño, lo cual tiene como resultado autoprotección del motor. 	<ul style="list-style-type: none"> ■ Suba la altura de corte de la plataforma o reduzca la velocidad de conducción para reducir la carga de la cortadora de césped. ■ Limpie la plataforma de la cortadora de césped y asegúrese de que la cuchilla tenga libertad de movimiento. ■ Reduzca la carga de la cortadora de césped, por ejemplo, subiendo la altura de corte de la plataforma o reduciendo la velocidad de las cuchillas/conducción. Tome un descanso y deje que la cortadora de césped se enfríe. ■ 1. La cortadora de césped puede seguir funcionando si los Ah combinados de las baterías insertadas, excepto la batería sobrecalentada, son iguales o superiores a 15 Ah. Una vez que la batería sobrecalentada regrese a la temperatura normal, participará inmediatamente en el suministro de energía a la cortadora de césped. 2. Si el Ah combinado de las baterías insertadas es inferior a 15Ah, la cortadora de césped no funcionará hasta que se inserten más paquetes de batería normales en los compartimentos de batería. 3. Reduzca la carga de la cortadora de césped, por ejemplo, subiendo la altura de corte de la plataforma o reduciendo la velocidad de corte cuando se reanude la utilización de la cortadora de césped. ■ Cuando la cortadora de césped esté en el modo de funcionamiento reducido, las cuchillas se cambiarán automáticamente a velocidad de rotación baja sin cortar pasto. El operador deberá dejar de trabajar y dirigirse al área de carga de las baterías lo antes posible. ■ Presione hacia abajo el interruptor de PTO y re arranque las cuchillas de la cortadora de césped.

PROBLEMA	CAUSA	SOLUCIÓN
El indicador emisor continúa sonando.	<ul style="list-style-type: none"> La cortadora de césped está en el modo de funcionamiento reducido y las cuchillas no están desactivadas. La cortadora de césped deja de desplazarse por una pendiente y el operador abre las palancas de dirección y está fuera del asiento sin poner el pedal del freno de estacionamiento en la posición de frenado. 	<ul style="list-style-type: none"> Presione hacia abajo el interruptor de PTO para desactivar las cuchillas de la plataforma. El indicador emisor de pitidos dejará de sonar cuando la cuchilla se detenga. Ponga el pedal del freno de estacionamiento en la posición de frenado antes de que el operador deje la herramienta en la pendiente.
Los indicadores de batería siguen encendidos al apagar la cortadora de césped.	<ul style="list-style-type: none"> Al apagar la cortadora de césped en terreno nivelado sin retirar el paquete (los paquetes) de batería de la misma, los indicadores de batería se mantendrán iluminados durante 3 minutos. Al apagar la cortadora de césped en una pendiente sin poner el freno de estacionamiento en la posición de frenado, los indicadores de batería se mantendrán encendidos hasta que la batería se agote. El indicador emisor de pitidos seguirá sonando al mismo tiempo. 	<ul style="list-style-type: none"> No se necesita ninguna acción. Los indicadores de batería se apagarán después de un período de tiempo. Ponga el pedal del freno de estacionamiento en la posición de frenado antes de que el operador deje la herramienta en la pendiente.
La pantalla LCD no se ilumina cuando todos los íconos están encendidos.	<ul style="list-style-type: none"> El tiempo de pulsación del botón de arranque/parada es de menos de 3 segundos. 	<ul style="list-style-type: none"> La pantalla LCD mostrará "Fuel Gauge" (Indicador de combustible) cuando se presione brevemente La pantalla LCD se apagará después de haber presionado el botón de arranque/parada durante 3 segundos.
La cortadora de césped corta de manera desigual, con una diferencia de altura significativa de delante a atrás.	<ul style="list-style-type: none"> Las cuchillas están desafiladas. Las cuchillas están dobladas. La plataforma de la cortadora de césped no está nivelada, lo cual tiene como resultado una altura diferente de las cuchillas de corte. 	<ul style="list-style-type: none"> Afile o reemplace la cuchilla de corte de acuerdo con las instrucciones correspondientes que se indican en este manual. Reemplace la cuchilla de corte doblada siguiendo las instrucciones de la sección "REEMPLAZO DE LAS CUCHILLAS DE CORTE". Nivele la plataforma de la cortadora de césped siguiendo las instrucciones de la sección "NIVELACIÓN DE LA PLATAFORMA DE LA CORTADORA DE CÉSPED".
La altura de corte real del pasto no está alineada con la altura indicada.	<ul style="list-style-type: none"> Las tuercas de la plataforma de la cortadora de césped están flojas en el varillaje de suspensión (vea la Fig. 32). La plataforma de la cortadora de césped está seriamente dañada o desgastada. 	<ul style="list-style-type: none"> Siga las instrucciones de la sección "NIVELACIÓN DE LA PLATAFORMA DE LA CORTADORA DE CÉSPED" para hacer un ajuste correcto de delante hacia detrás de la plataforma de la cortadora de césped y apriete firmemente las cuatro tuercas que se encuentran en el varillaje de suspensión (dos para cada lado). Siga las instrucciones de la sección "REMOCIÓN DE LA PLATAFORMA DE LA CORTADORA DE CÉSPED" para realizar el remplazo de la plataforma de la cortadora de césped.
La cortadora de césped no tritura correctamente.	<ul style="list-style-type: none"> El pasto cortado mojado se está pegando a la parte inferior de la plataforma. La cortadora de césped está ajustada para cortar demasiado pasto a la vez. 	<ul style="list-style-type: none"> Espere hasta que el pasto se seque y quede libre de obstrucciones antes de cortarlo. Suba la altura de corte de la plataforma.

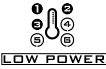



PROBLEMA	CAUSA	SOLUCIÓN
<p>Hay una vibración excesiva.</p>	<ul style="list-style-type: none"> ■ Las cuchillas de corte están flojas. ■ Las cuchillas están dobladas. ■ La plataforma de la cortadora de césped no está nivelada. ■ Las tuercas de la plataforma de la cortadora de césped están flojas en el varillaje de suspensión (Fig. 32). ■ La cortadora de césped está ajustada para cortar demasiado pasto a la vez. 	<ul style="list-style-type: none"> ■ Apriete el perno de la cuchilla con la fuerza de torsión recomendada de 50-55 pies-lb (36-41 Nm). ■ Reemplace la cuchilla de corte doblada siguiendo las instrucciones de la sección "REEMPLAZO DE LAS CUCHILLAS DE CORTE". ■ Nivele la plataforma de la cortadora de césped siguiendo las instrucciones de la sección "NIVELACIÓN DE LA PLATAFORMA DE LA CORTADORA DE CÉSPED". ■ Utilice una llave de boca abierta de 23/32 de pulgada (18 mm) (no suministrada) para apretar las cuatro tuercas ubicadas en el varillaje de suspensión (dos para cada lado). ■ Suba la altura de corte de la plataforma.
<p>Hay pasto o residuos que quedan en el terreno después de cortar el césped.</p>	<ul style="list-style-type: none"> ■ La cortadora de césped está ajustada para cortar demasiado pasto a la vez cuando el pasto está alto. ■ El pasto está en condiciones mojadas. ■ La velocidad de conducción es alta. ■ La velocidad de las cuchillas es baja. 	<ul style="list-style-type: none"> ■ Comience con una altura de corte elevada y redúzcala hasta que se obtenga el resultado de corte de césped deseado. El pasto de más de 6 pulgadas de altura deberá cortarse dos veces, a alturas de corte sucesivamente más bajas. ■ No corte el pasto cuando esté mojado, espere hasta que se seque. ■ Reduzca la velocidad de conducción. ■ Aumente gradualmente la velocidad de las cuchillas.
<p>Tiempo de funcionamiento corto de la cortadora de césped con la batería incluida.</p>	<ul style="list-style-type: none"> ■ Las condiciones del pasto y el ajuste de la altura de corte afectarán enormemente al tiempo de funcionamiento de las baterías. El tiempo de funcionamiento indicado se basa en condiciones de carga ligera. 	<ul style="list-style-type: none"> ■ Suba la altura de corte de la plataforma y disminuya la velocidad de las cuchillas para reducir la carga de corte.
<p>La cortadora de césped no se desplaza en línea recta.</p>	<ul style="list-style-type: none"> ■ La presión de las llantas de las ruedas traseras izquierda y derecha es diferente. ■ La velocidad de propulsión de las ruedas traseras izquierda y derecha es diferente. 	<ul style="list-style-type: none"> ■ Compruebe la presión de aire en las llantas de ambas ruedas traseras, de acuerdo con la recomendación de la sección "COMPROBACIÓN DE LA PRESIÓN DE LAS LLANTAS" de este manual. ■ Calibre el sistema de ajuste de la trayectoria de la cortadora de césped siguiendo las instrucciones de la sección "CALIBRE EL SISTEMA DE AJUSTE DE LA TRAYECTORIA DE LA CORTADORA DE CÉSPED".
<p>El pedal del freno de estacionamiento no se puede liberar de la posición de frenado o de rebote demorado.</p>	<ul style="list-style-type: none"> ■ Es posible que estén entrando residuos o suciedad en el pedal del freno de estacionamiento. 	<ul style="list-style-type: none"> ■ Abra la caja del pedal del freno de estacionamiento para limpiar minuciosamente su interior y ciérrela. Reajuste el pedal de estacionamiento para comprobar si el problema se ha resuelto. Si no se ha resuelto, contacte a un técnico de servicio calificado para que realice la reparación.

PROBLEMA	CAUSA	SOLUCIÓN
La cortadora de césped no se puede cargar a través del puerto de carga con el indicador de estado de la cortadora de césped iluminado en rojo continuo.	<ul style="list-style-type: none"> ■ El enchufe del cargador no está insertado correctamente en el puerto de carga de la cortadora de césped. ■ No hay energía en los tomacorrientes de pared. ■ El cargador está defectuoso. ■ El puerto de carga ubicado en la cortadora de césped está defectuoso. 	<ul style="list-style-type: none"> ■ Reconecte el enchufe del cargador para comprobar si la cortadora de césped se puede cargar normalmente. ■ No se necesita ninguna acción. Espere hasta que la energía se recupere. ■ Contacte a un técnico de servicio calificado para que realice una inspección y, si es necesario, haga que el cargador sea reparado. ■ Contacte a un técnico de servicio calificado para que realice la reparación.
La cortadora de césped se obstruye fácilmente.	<ul style="list-style-type: none"> ■ El cargador no es adecuado. 	<ul style="list-style-type: none"> ■ Cargador EGO CHV1600/CHV1600-FC recomendado para cargar directamente la cortadora de césped eléctrica con radio de giro cero
La cortadora de césped resbala fácilmente cuando sube por una pendiente.	<ul style="list-style-type: none"> ■ La batería o el cargador están defectuosos. 	<ul style="list-style-type: none"> ■ El indicador de estado de la cortadora de césped se iluminará en rojo continuo cuando el cargador esté defectuoso, mientras que estará apagado cuando la batería esté defectuosa.
La distancia del freno de estacionamiento se vuelve más larga cuando se presiona el pedal del freno de estacionamiento.	<ul style="list-style-type: none"> ■ Limpieza incorrecta, por ejemplo, limpieza con agua de los componentes eléctricos, la pantalla LCD, etc. 	<ul style="list-style-type: none"> ■ Siga las instrucciones de la sección “MANTENIMIENTO GENERAL” y “LIMPIEZA DE LA MÁQUINA” para limpiar correctamente la cortadora de césped. NO UTILICE AGUA. Evite rociar con agua los componentes eléctricos. ■ Si la cortadora de césped se ha mojado accidentalmente en la lluvia, déjela más de 12 horas para que se seque o utilice aire comprimido para secarla.
It is easy for the mower to be clogged.	<ul style="list-style-type: none"> ■ Las llantas de las ruedas traseras están desgastadas. 	<ul style="list-style-type: none"> ■ Limpie la plataforma de la cortadora de césped después de cada uso, siguiendo la sección “Utilización del puerto de lavado para limpiar la plataforma de la cortadora de césped”.
The mower is easy to slip when it is climbing up on the slope.	<ul style="list-style-type: none"> ■ Los componentes del freno se están desgastando excesivamente debido a un funcionamiento incorrecto de la cortadora de césped. 	<ul style="list-style-type: none"> ■ Obtenga servicio de ajustes y reparaciones local para reemplazar las llantas de las ruedas o cuando la propia rueda esté dañada reemplace la rueda trasera siguiendo las instrucciones de la sección “REEMPLAZO DE LAS RUEDAS”.
Cuando la cortadora de césped se detenga en una pendiente con el pedal del freno de estacionamiento presionado, se puede deslizar hacia abajo por la pendiente.	<ul style="list-style-type: none"> ■ The brake components are getting excessive worn due to improper operation of the mower. 	<ul style="list-style-type: none"> ■ Contacte a un técnico de servicio calificado para que realice la reparación.

REFERENCIA DE LOS INDICADORES DE CÓDIGO DE FALLA Y ESTADO

Pantalla LCD	Descripción	Código de falla en la pantalla LCD	Indicador de estado LED	Zumbador	Causa	Solution
	El ícono de llave de seguridad parpadea	n/a	APAGADO	no	La llave de seguridad no está insertada.	Inserte la llave de seguridad y luego presione y mantenga presionado el botón de ARRANQUE/PARADA durante más de 3 segundos para encender la cortadora de césped.
	El ícono de compartimiento de batería vacío parpadea	n/a	APAGADO	no	La capacidad de la batería no es suficiente para permitir que la cortadora de césped se desplace.	Para arrancar esta cortadora de césped, se requieren baterías EGO que totalicen 15 Ah (2 X BA4200/BA4200T) o más. Para obtener el mejor rendimiento, recomendamos utilizar baterías EGO que totalicen 30 Ah o más.
	El indicador de sobrecarga parpadea	n/a	parpadea en rojo	un pitido	El motor de las cuchillas está sobrecargado.	Suba la altura de corte de la plataforma o disminuya la velocidad de conducción para reducir la carga de la cortadora de césped.
	El ícono de termómetro parpadea.	n/a	parpadea en rojo	un pitido	La cortadora de césped está sobrecalentada.	Reduzca la carga de la cortadora de césped, por ejemplo, subiendo la altura de corte de la plataforma o reduciendo la velocidad de las cuchillas/conducción. Tome un descanso y deje que la cortadora de césped se enfríe.

Pantalla LCD	Descripción	Código de falla en la pantalla LCD	Indicador de estado LED	Zumbador	Causa	Solution
	El ícono de termómetro y el compartimiento de batería ocupado exacto parpadean al mismo tiempo.	n/a	APAGADO	no	El paquete de batería del compartimiento de batería numerado correspondiente está sobrecalentado.	<ol style="list-style-type: none"> 1. El cortacésped puede seguir funcionando si el Ah combinado de las baterías insertadas, excepto la batería sobrecalentada, es igual o superior a 15 Ah. Una vez que la batería sobrecalentada regrese a la temperatura normal, participará inmediatamente en el suministro de energía a la cortadora de césped. 2. Si el Ah combinado de las baterías insertadas es inferior a 15 Ah, la cortadora de césped no funcionará hasta que se inserten más paquetes de batería normales en los compartimientos de batería. 3. Reduzca la carga de la cortadora de césped, por ejemplo, subiendo la altura de corte de la plataforma o reduciendo la velocidad de corte cuando se reanude la utilización de la cortadora de césped.
	El ícono de todos los compartimientos de batería ocupados, el indicador de energía baja y los gráficos de batería del indicador de combustible parpadean cada 1 segundo al mismo tiempo en la pantalla LCD. El último segmento del indicador de combustible e indicador de estado LED también parpadea.	n/a	parpadea en rojo	Sigue pitando hasta que el interruptor de PTO se presione hacia abajo	Los paquetes de batería tienen un nivel de carga bajo y la cortadora de césped está en el modo de funcionamiento reducido.	<p>Deje de trabajar y regrese al área de carga de las baterías.</p> <p>AVISO: Cuando la cortadora de césped esté en el modo de funcionamiento reducido, las cuchillas se cambiarán automáticamente a velocidad de rotación baja sin cortar pasto y mientras tanto el indicador emisor de pitidos seguirá sonando. El operador deberá presionar hacia abajo el interruptor de PTO para desactivar las cuchillas de la plataforma. El indicador emisor de pitidos dejará de sonar después de que las cuchillas se detengan.</p>

Pantalla LCD	Descripción	Código de falla en la pantalla LCD	Indicador de estado LED	Zumbador	Causa	Solution
	El ícono de todos los compartimientos de batería ocupados y el indicador de energía baja parpadean cada 0,5 segundos.	n/a	APAGADO	no	Los paquetes de batería están casi agotados.	La cortadora de césped puede continuar funcionando si los Ah combinados de las baterías insertadas, excepto la batería sobrecalentada, son iguales o superiores a 15 Ah. Una vez que la batería sobrecalentada regrese a temperatura normal, participará inmediatamente en el suministro de energía a la cortadora de césped.
	El ícono de autoestacionamiento parpadea en la pantalla LCD	n/a	APAGADO	Sigue pitando	La cortadora de césped está estacionada en una pendiente y el operador deja la cortadora sin poner el pedal del freno en la posición de frenado, solo con las palancas de dirección en la posición abierta.	Ponga el pedal del freno en la posición de frenado. El ícono de autoestacionamiento estará apagado y el indicador emisor de pitidos dejará de sonar.
	El ícono del pedal del freno se muestra en la pantalla LCD	n/a	APAGADO	no	El pedal del freno de estacionamiento está colocado en la posición de frenado.	Libérela antes de arrancar la cortadora de césped.
	El ícono del sensor del asiento se muestra en la pantalla LCD	n/a	APAGADO	no	El operador abandona el asiento o hay algún problema con el sensor del asiento.	Si con el operador sentado en el asiento el ícono está encendido, deje de utilizar inmediatamente la cortadora de césped y compruebe la conexión del asiento. Si se confirma que la conexión del asiento con la cortadora de césped es correcta, por favor, haga que un técnico de servicio calificado realice la reparación.

Pantalla LCD	Descripción	Código de falla en la pantalla LCD	Indicador de estado LED	Zumbador	Causa	Solution
	El ícono del interruptor de PTO parpadea	n/a	APAGADO	no	Se interrumpió el funcionamiento del motor de las cuchillas y el interruptor de PTO no está ajustado en la posición de apagado.	Antes de rearrancar la cortadora de césped, presione hacia abajo el interruptor de PTO para desactivar el motor de la plataforma. Sírvase consultar la sección “ RESOLUCIÓN DE PROBLEMAS ” de este manual como referencia.
	El ícono de las palancas de dirección parpadea	n/a	APAGADO	no	El motor de propulsión fue interrumpido durante el funcionamiento y las palancas de dirección no estaban colocadas en la posición abierta.	Antes de rearrancar la cortadora de césped, ajuste las palancas de dirección en la posición abierta. Sírvase consultar la sección “ RESOLUCIÓN DE PROBLEMAS ” de este manual como referencia.
	La flecha de recuperación de energía parpadea alternadamente.	n/a	APAGADO	no	La energía cinética generada durante el frenado o la conducción cuesta abajo es convertida en electricidad para cargar los paquetes de batería.	Esto es funcionamiento normal. No se necesita ninguna acción.

Pantalla LCD	Descripción		Código de falla en la pantalla LCD	Indicador de estado LED	Zumbador	Causa	Solution
consulte "Código de falla"	El motor de propulsión izquierdo falla en la rotación	El motor de propulsión izquierdo controlado por el PCBA (el conjunto de placas de circuitos impresos) falla.	413	APAGADO	un pitido	Falla del PCBA	Haga que sea reparado por un técnico de servicio calificado.
		El enchufe (fase triple, cable de alimentación) que conecta el motor de propulsión izquierdo con el PCBA correspondiente está flojo.	317	APAGADO	un pitido	Conexión floja	Haga que las reparaciones sean realizadas por un técnico de servicio calificado.
		El enchufe (seis pines, cable de señal) que conecta el motor de propulsión izquierdo con el PCBA correspondiente está flojo.	301	APAGADO	un pitido	Conexión floja	Haga que las reparaciones sean realizadas por un técnico de servicio calificado.
		El motor de propulsión izquierdo falla.	317	APAGADO	un pitido	Falla del motor	Haga que sea reparado por un técnico de servicio calificado.

Pantalla LCD	Descripción		Código de falla en la pantalla LCD	Indicador de estado LED	Zumbador	Causa	Solution
consulte "Código de falla"	El motor de la cuchilla Derecho falla en la rotación	El motor de propulsión Derecho controlado por el PCBA (el conjunto de placas de circuitos impresos) falla.	313	APAGADO	un pitido	Falla del PCBA	Haga que sea reparado por un técnico de servicio calificado.
		El enchufe (fase triple, cable de alimentación) que conecta el motor de propulsión Derecho con el PCBA correspondiente está flojo.	417	APAGADO	un pitido	Conexión floja	Haga que las reparaciones sean realizadas por un técnico de servicio calificado.
		El enchufe (seis pines, cable de señal) que conecta el motor de propulsión Derecho con el PCBA correspondiente está flojo.	401	APAGADO	un pitido	Conexión floja	Haga que las reparaciones sean realizadas por un técnico de servicio calificado.
		El motor de propulsión Derecho falla.	417	APAGADO	un pitido	Falla del motor	Haga que sea reparado por un técnico de servicio calificado.
consulte "Código de falla"	El motor de la cuchilla izquierdo falla en la rotación	El motor de la cuchilla izquierdo controlado por el PCBA (el conjunto de placas de circuitos impresos) falla.	607	n/a	un pitido	Falla del PCBA	Haga que las reparaciones sean realizadas por un técnico de servicio calificado.
		El enchufe (fase triple, cable de alimentación) que conecta el motor de la cuchilla izquierdo con el PCBA correspondiente está flojo.	509	n/a	un pitido	Conexión floja	Inspeccione las cuchillas. Si se afloja, utilice una llave de torsión de 9/16 pulgadas (14 mm) para apretar el perno en el sentido de las agujas del reloj. La fuerza de torsión recomendada para el perno de la cuchilla es 50-55 pies-lb (36-41Nm). De otra manera, haga que las reparaciones sean realizadas por un técnico de servicio calificado.
		El motor de la cuchilla izquierdo falla.	509	n/a	un pitido	Falla del motor	

Pantalla LCD	Descripción		Código de falla en la pantalla LCD	Indicador de estado LED	Zumbador	Causa	Solution
consulte "Código de falla"	El motor de la cuchilla Derecho falla en la rotación	El motor de la cuchilla Derecho controlado por el PCBA (el conjunto de placas de circuitos impresos) falla.	507	n/a	un pitido	Falla del PCBA	Haga que las reparaciones sean realizadas por un técnico de servicio calificado.
		El enchufe (fase triple, cable de alimentación) que conecta el motor de la cuchilla Derecho con el PCBA correspondiente está flojo.	609	n/a	un pitido	Conexión floja	Inspeccione las cuchillas. Si se afloja, utilice una llave de torsión de 9/16 pulgadas (14 mm) para apretar el perno en el sentido de las agujas del reloj. La fuerza de torsión recomendada para el perno de la cuchilla es 50-55 pies-lb (36-41Nm). De otra manera, haga que las reparaciones sean realizadas por un técnico de servicio calificado.
		El motor de la cuchilla Derecho falla.	609	n/a	un pitido	Falla del motor	
consulte "Código de falla"	La palanca de dirección izquierda falla	El PCBA que controla la palanca de dirección izquierda falla.	311/412	APAGADO	un pitido	Falla del PCBA	Haga que las reparaciones sean realizadas por un técnico de servicio calificado.
		El enchufe que conecta el PCBA de control, ubicado en la barra de dirección, está flojo.				Conexión floja	Haga que las reparaciones sean realizadas por un técnico de servicio calificado.
consulte "Código de falla"	La palanca de dirección derecha falla	El PCBA que controla la palanca de dirección derecha falla.	411/312	APAGADO	un pitido	Falla del PCBA	Haga que sea reparado por un técnico de servicio calificado.
		El enchufe que conecta el PCBA de control, ubicado en la barra de dirección, está flojo.				Conexión floja	Haga que las reparaciones sean realizadas por un técnico de servicio calificado.

Pantalla LCD	Descripción		Código de falla en la pantalla LCD	Indicador de estado LED	Zumbador	Causa	Solution
consulte "Código de falla"	El freno de estacionamiento falla, la herramienta no se puede conducir.	El PCBA del freno de estacionamiento, que está en el ensamblaje del armazón delantero, está roto.	309/409	APAGADO	un pitido	Falla del PCBA	Haga que las reparaciones sean realizadas por un técnico de servicio calificado.
		El interruptor y/o el cable del freno de estacionamiento están rotos.	801	APAGADO	un pitido	interruptor	
OFF	Falla del puerto de carga		n/a	ROJO continuo	n/a	El puerto de carga está en circuito abierto.	Haga que las reparaciones sean realizadas por un técnico de servicio calificado.
			n/a	ROJO continuo	n/a	No hay alimentación eléctrica.	Compruebe el tomacorriente de pared para determinar si se suministran 120 V o si la toma está en buenas condiciones.
			n/a	ROJO continuo	n/a	El fusible está fundido.	Haga que las reparaciones sean realizadas por un técnico de servicio calificado.
consulte "Código de falla"	Falla del puerto de carga		204	n/a	un pitido	El puerto de carga está en circuito abierto.	Haga que las reparaciones sean realizadas por un técnico de servicio calificado.

Pantalla LCD	Descripción	Código de falla en la pantalla LCD	Indicador de estado LED	Zumbador	Causa	Solution
see "Fault code"	El ensamblaje de la caja de baterías de la cortadora de césped está roto	217	n/a	un pitido	La fuente de alimentación del ensamblaje de la caja de las baterías está rota.	Haga que sea reparado por un técnico de servicio calificado.
		310/410	APAGADO	un pitido	Las luces delanteras LED y el USB no funcionan.	Haga que sea reparado por un técnico de servicio calificado.
		201/202/203	APAGADO	un pitido	La conexión entre los cables Tipo C del ensamblaje de la caja de las baterías y otros cables Tipo C de la cortadora de césped no funciona.	Haga que sea reparado por un técnico de servicio calificado.
consulte "Código de falla"	Falla del interruptor de arranque/parada	314/414	APAGADO	un pitido	Falla del PCBA del interruptor o mala conexión del interruptor de arranque/parada.	Haga que sea reparado por un técnico de servicio calificado.
consulte "Código de falla"	Falla de la pantalla LCD	315/415	APAGADO	un pitido	El ensamblaje LCD está roto o mala conexión del cable del ensamblaje LCD.	Haga que sea reparado por un técnico de servicio calificado.

GARANTÍA

POLÍTICA DE GARANTÍA

Garantía limitada de 5 años en equipos de energía para exteriores y energía portátil EGO POWER+ para uso doméstico personal.

Garantía limitada de 3 años en paquetes de batería y cargadores del Sistema EGO POWER+ para uso personal doméstico. Se aplica una garantía extendida adicional de 2 años para la batería de 10,0 Ah, tanto si se vende por separado (núm. de modelo BA5600T) como si se incluye con cualquier herramienta, si se registra dentro del plazo de 90 días después de su compra. Garantía limitada de 5 años en el cargador CHV1600, diseñado para utilizarse con la cortadora de césped con asiento con radio de giro cero para uso personal doméstico.

Garantía limitada de 2 años/1 año en equipos de energía para exteriores, energía portátil, paquetes de baterías y cargadores EGO para uso profesional y comercial.

Los períodos de garantía detallados por productos se pueden encontrar en línea en <http://egopowerplus.com/warranty-policy>.

Sírvase contactar a Servicio al Cliente de EGO llamando gratis al 800-346-9876 (800-EGO-ZTRM) en cualquier momento en que tenga preguntas o reclamos bajo garantía.

GARANTÍA LIMITADA DE SERVICIO

Los productos EGO están garantizados contra defectos de material o de fabricación a partir de la fecha de compra original al por menor durante el período de garantía aplicable. El producto defectuoso será reparado gratuitamente.

- a) Esta garantía se aplica solo al comprador original a un minorista EGO autorizado y no se podrá transferir. Los minoristas EGO autorizados se identifican en línea en <http://egopowerplus.com/warranty-policy>
- b) El período de garantía para productos reacondicionados o certificados de fábrica que se utilizan para fines residenciales es de 1 año, para fines industriales, profesionales o comerciales es de 90 días.
- c) El período de garantía para las piezas de mantenimiento de rutina, tales como, pero sin limitarse a, asiento de cortadora de césped con asiento, ruedas, llantas, ruedas anticorte al ras, disco de freno, bloque de fricción, cuchillas, cabezales de orilladora, espadas de cadena, cadenas de sierra, correas, barras rascadoras, paletas de caucho, barrenas, zapatas antideslizantes, boquillas de soplador y todos los demás accesorios EGO, es de 90 días para fines residenciales y 30 días para fines industriales, profesionales o comerciales. Estas piezas están cubiertas durante 90/30 días contra defectos de fabricación en condiciones de trabajo normales.
- d) Esta garantía queda nula si el producto se ha puesto en alquiler.
- e) Esta garantía no cubre daños producto de modificaciones, alteraciones o reparaciones no autorizadas.
- f) Esta garantía solo cubre defectos que surjan del uso normal y no cubre el mal funcionamiento, las fallas ni los defectos que resulten del mal uso, el abuso (que incluye la sobrecarga del producto más allá de su capacidad y sumergirlo en agua o en cualquier otro líquido), accidentes, negligencia o falta de instalación adecuada y mantenimiento o almacenamiento inadecuados.
- g) Esta garantía no cubre el deterioro normal del acabado exterior, incluidos, entre otros, rayones, abolladuras, trozos de pintura o cualquier corrosión o decoloración producida por el calor o limpiadores químicos y abrasivos.

CÓMO OBTENER EL SERVICIO

Para obtener el servicio de garantía, póngase en contacto con Servicio al Cliente de EGO de manera gratuita al **800-346-9876 (800-EGO-ZTRM)**. Cuando pida un servicio cubierto por la garantía, debe presentar el recibo con la fecha original de venta. Un centro de servicio autorizado será seleccionado para reparar el producto de acuerdo con los términos establecidos en la garantía. Cuando lleve el producto al centro de servicio autorizado, es posible que deba hacer un pequeño depósito cuando deje la herramienta. Este depósito se reembolsará cuando se considere que el servicio de reparación se haya cubierto con la garantía.

LIMITACIONES ADICIONALES

En la medida en que la ley aplicable lo permita, se deniegan todas las garantías implícitas, inclusive las garantías de COMERCIALIZIDAD o IDONEIDAD PARA UN PROPÓSITO ESPECÍFICO. Todas las garantías implícitas, inclusive las garantías de comerciabilidad o idoneidad para un propósito específico, que no se puedan denegar bajo la ley estatal, están limitadas al período de garantía aplicable definido al comienzo de este artículo.

Chervon North America no se hará responsable por daños directos, indirectos, accidentales o resultantes.

Algunos estados no permiten limitaciones con respecto a la duración de una garantía implícita y/o no permiten la exclusión o limitación de daños accidentales o resultantes, de modo que las limitaciones antes descritas podrían no aplicarse en su caso.

Esta garantía le otorga derechos legales específicos, pero podría tener también otros derechos que varían según el estado.

Para obtener el servicio al cliente, póngase en contacto con nosotros de manera gratuita al: **800-346-9876 (800-EGO-ZTRM)** o visite: **EGOPOWERPLUS.COM**

EGO Customer Service, 769 SEWARD AVE NW / Suite 102 Grand Rapids, MI 49504

