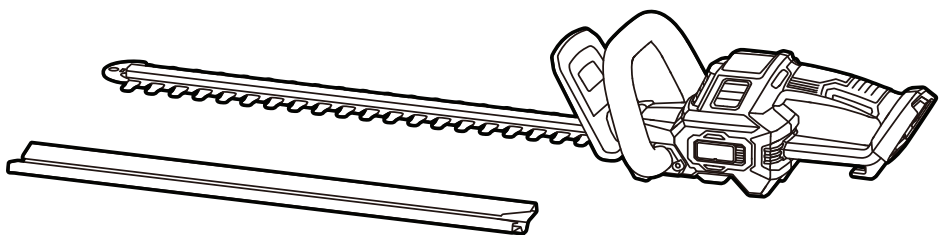


MASTERCRAFT™/MC

22" (56 CM) HEDGE TRIMMER

060-0591-8



IMPORTANT:

Read and understand this instruction manual thoroughly before using the product.

**INSTRUCTION
MANUAL**

TABLE OF CONTENTS

Technical Specifications	4
Safety Guidelines	5
Key Parts Diagram	10
Operating Instructions	11
Maintenance	14
Troubleshooting	15
Parts List	16
Warranty	18

TABLE OF CONTENTS

NOTE:

If any parts are missing or damaged, or if you have any questions, please call our toll-free helpline at 1-800-689-9928.



SAVE THESE INSTRUCTIONS

- This manual contains important safety and operating instructions. Read all instructions and follow them with use of this product.

TECHNICAL SPECIFICATIONS

Rated Voltage	20 V d.c. max*
No-load Speed	2600 SPM
Blade Length	22" (56 cm)
Cutting Width	3/4" (18 mm)

*Maximum battery voltage without workload; with workload nominal voltage is 18 V.

SAFETY GUIDELINES:



WARNING!

Safety symbols in this Instruction Manual are used to flag possible dangers. The safety symbols and their explanations require your full understanding. The safety warnings do not, by themselves, eliminate any danger, nor are they substitutes for proper accident prevention measures.



WARNING!

This Safety Alert Symbol indicates caution, warning, or danger. Failure to obey a safety warning can result in serious injury to yourself or others. To reduce the risk of injury, fire, or electric shock, always follow the safety precautions.

KNOW YOUR TOOL

To operate this tool, carefully read this Instruction Manual and all labels affixed to the hedge trimmer before using. Keep this instruction manual available for future reference.

IMPORTANT

This tool should only be serviced by a qualified service technician. For more information, call the toll-free helpline at 1-800-689-9928.

READ ALL INSTRUCTIONS THOROUGHLY

SAFETY GUIDELINES FOR POWER TOOLS



WARNING!

Read all safety warnings, instructions, illustrations and specifications provided with this power tool. Failure to follow all instructions listed below may result in electric shock, fire and/or serious injury.

SAVE ALL WARNINGS AND INSTRUCTIONS FOR FUTURE REFERENCE.

The term “power tool” in the warnings refers to your mains operated (corded) power tool or battery operated (cordless) power tool.

WORK AREA SAFETY

- **Keep work area clean and well lit.** Cluttered or dark areas invite accidents.
- **Do not operate power tools in explosive atmospheres, such as in the presence of flammable liquids, gases or dust.** Power tools create sparks which may ignite the dust or fumes.
- **Keep children and bystanders away while operating a power tool.** Distractions can cause you to lose control.

ELECTRICAL SAFETY

- **Power tool plugs must match the outlet. Never modify the plug in any way. Do not use any adaptor plugs with earthed (grounded) power tools.** Unmodified plugs and matching outlets will reduce risk of electric shock.
- **Avoid body contact with earthed or grounded surfaces, such as pipes, radiators, ranges and refrigerators.** There is an increased risk of electric shock if your body is earthed or grounded.
- **Do not expose power tools to rain or wet conditions.** Water entering a power tool will increase the risk of electric shock.
- **Do not abuse the cord. Never use the cord for carrying, pulling or unplugging the power tool. Keep cord away from heat, oil, sharp edges or moving parts.** Damaged or entangled cords increase the risk of electric shock.
- **When operating a power tool outdoors, use an extension cord suitable for outdoor use.** Use of a cord suitable for outdoor use reduces the risk of electric shock.
- **If operating a power tool in a damp location is unavoidable, use a ground fault circuit interrupter (GFCI) protected supply.** Use of an GFCI reduces the risk of electric shock.

PERSONAL SAFETY

- **Stay alert, watch what you are doing and use common sense when operating a power tool. Do not use a power tool while you are tired or under the influence of drugs, alcohol or medication.** A moment of inattention while operating power tools may result in serious personal injury.
- **Use personal protective equipment. Always wear eye protection.** Protective equipment such as a dust mask, non-skid safety shoes, hard hat or hearing protection used for appropriate conditions will reduce personal injuries.
- **Prevent unintentional starting. Ensure the switch is in the off-position before connecting to power source and/or battery pack, picking up or carrying the tool.** Carrying power tools with your finger on the switch or energising power tools that have the switch on invites accidents.
- **Remove any adjusting key or wrench before turning the power tool on.** A wrench or a key left attached to a rotating part of the power tool may result in personal injury.
- **Do not overreach. Keep proper footing and balance at all times.** This enables better control of the power tool in unexpected situations.
- **Dress properly. Do not wear loose clothing or jewellery. Keep your hair and clothing away from moving parts.** Loose clothes, jewellery or long hair can be caught in moving parts.
- **If devices are provided for the connection of dust extraction and collection facilities, ensure these are connected and properly used.** Use of dust collection can reduce dust-related hazards.
- **Do not let familiarity gained from frequent use of tools allow you to become complacent and ignore tool safety principles.** A careless action can cause severe injury within a fraction of a second.

POWER TOOL USE AND CARE

- **Do not force the power tool. Use the correct power tool for your application.** The correct power tool will do the job better and safer at the rate for which it was designed.
- **Do not use the power tool if the switch does not turn it on and off.** Any power tool that cannot be controlled with the switch is dangerous and must be repaired.
- **Disconnect the plug from the power source and/or remove the battery pack, if detachable, from the power tool before making any adjustments, changing accessories, or storing power tools.** Such preventive safety measures reduce the risk of starting the power tool accidentally.
- **Store idle power tools out of the reach of children and do not allow persons unfamiliar with the power tool or these instructions to operate the power tool.** Power tools are dangerous in the hands of untrained users.
- **Maintain power tools and accessories. Check for misalignment or binding of moving parts, breakage of parts and any other condition that may affect the power tool's operation. If damaged, have the power tool repaired before use.** Many accidents are caused by poorly maintained power tools.
- **Keep cutting tools sharp and clean.** Properly maintained cutting tools with sharp cutting edges are less likely to bind and are easier to control.
- **Use the power tool, accessories, tool bits, etc., in accordance with these instructions, taking into account the working conditions and the work to be performed.** Use of the power tool for operations different from those intended could result in a hazardous situation.
- **Keep handles and grasping surfaces dry, clean and free from oil and grease.** Slippery handles and grasping surfaces do not allow for safe handling and control of the tool in unexpected situations.

BATTERY TOOL USE AND CARE

- **Recharge only with the charger specified by the manufacturer.** A charger that is suitable for one type of battery pack may create a risk of fire when used with another battery pack.
- **Use power tools only with specifically designated battery packs.** Use of any other battery packs may create a risk of injury and fire.
- **When battery pack is not in use, keep it away from other metal objects, like paper clips, coins, keys, nails, screws or other small metal objects, that can make a connection from one terminal to another.** Shorting the battery terminals together may cause burns or a fire.
- **Under abusive conditions, liquid may be ejected from the battery; avoid contact. If contact accidentally occurs, flush with water. If liquid contacts eyes, additionally seek medical help.** Liquid ejected from the battery may cause irritation or burns.
- **Do not use a battery pack or tool that is damaged or modified.** Damaged or modified batteries may exhibit unpredictable behaviour resulting in fire, explosion or risk of injury.

- **Do not expose a battery pack or tool to fire or excessive temperature.** Exposure to fire or temperature above 130°C (265°F) may cause explosion.
- **Follow all charging instructions and do not charge the battery pack or tool outside the temperature range specified in the instructions.** Charging improperly or at temperatures outside the specified range may damage the battery and increase the risk of fire.

SERVICE

- **Have your power tool serviced by a qualified repair person using only identical replacement parts.** This will ensure that the safety of the power tool is maintained.
- **Never service damaged battery packs.** Service of battery packs should only be performed by the manufacturer or authorized service providers.

HEDGE TRIMMER SAFETY WARNINGS

- **Keep all parts of the body away from the blade. Do not remove cut material or hold material to be cut when blades are moving.** Blades continue to move after the switch is turned off. A moment of inattention while operating the hedge trimmer may result in serious personal injury.
- **Carry the hedge trimmer by the handle with the blade stopped and taking care not to operate any power switch.** Proper carrying of the hedge trimmer will decrease the risk of inadvertent starting and resultant personal injury from the blades.
- **When transporting or storing the hedge trimmer, always fit the blade cover.** Proper handling of the hedge trimmer will decrease the risk of personal injury from the blades.
- **When clearing jammed material or servicing the unit, make sure all power switches are off and the battery pack is removed or disconnected.** Unexpected actuation of the hedge trimmer while clearing jammed material or servicing may result in serious personal injury.
- **Hold the hedge trimmer by insulated gripping surfaces only, because the blade may contact hidden wiring.** Blades contacting a “live” wire may make exposed metal parts of the hedge trimmer “live” and could give the operator an electric shock.
- **Keep all power cords and cables away from cutting area.** Power cords or cables may be hidden in hedges or bushes and can be accidentally cut by the blade.
- **Do not use the hedge trimmer in bad weather conditions, especially when there is a risk of lightning.** This decreases the risk of being struck by lightning.

ADDITIONAL SAFETY GUIDELINES

- **The label on your tool may include the following symbols. The symbols and their definitions are as follows:**

V Volts

A Amperes

min Minutes

 or d.c Direct current

n_0 No-load speed
 .../min or ...min⁻¹..... Revolutions or reciprocations per minute

SPM..... Strokes per minute



..... WARNING – To reduce the risk of injury, user must read instruction manual.



..... WARNING – To reduce the risk of injury, always wear eye protection.



..... WARNING – To reduce the risk of injury, always wear ear protection.



WARNING!

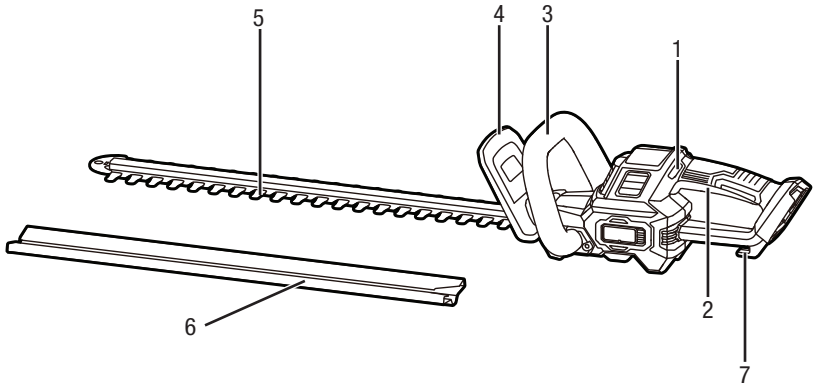
To reduce the risk of electric shock or damage to the charger and battery, use only the Mastercraft® batteries and chargers listed.

BATTERY PACK	CHARGER
054-3124-0, 054-7553-4, 054-7557-6, 054-2434-8	054-3126-6, 054-7559-2

- Do not grasp the exposed cutting blades or cutting edges when picking up or holding the hedge trimmer.
- Do not use on a ladder, rooftop, tree, or other unstable support. Stable footing on a solid surface enables better control of the hedge trimmer in unexpected situations.
- Do not wash with a hose; avoid getting water in motor and electrical connections.
- **For best results, your battery and tool should be charged, stored and used in a location where the temperature is more than 5°C (41°F) but less than 40°C (104°F).** Do not store outside or in vehicles.

PACKAGE CONTENTS:

Hedge trimmer, blade guard and instruction manual

KEY PARTS DIAGRAM

No.	Description
1	Lock-off button
2	Switch trigger
3	Front handle
4	Guard

No.	Description
5	Blades
6	Blade guard
7	Hook

Before using this product, familiarize yourself with all operating features and safety rules.

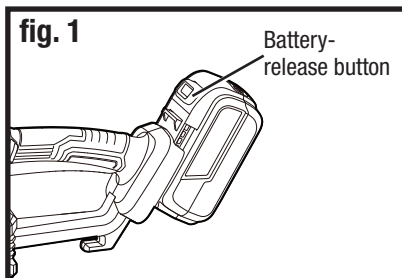
**WARNING!**

- Remove the hedge trimmer from the package and examine it carefully. Do not discard the carton or any packaging material until all parts have been examined.
- If any part of the hedge trimmer is missing or damaged, do not attach the tool to a power source or use the tool until the part has been repaired or replaced. Failure to heed this warning could result in serious injury.
- Do not allow familiarity with the hedge trimmer to cause a lack of alertness. A fraction of a second of carelessness is enough to cause severe injury.

OPERATING INSTRUCTIONS

TO ATTACH THE BATTERY PACK (fig. 1)

1. Make sure that the hedge trimmer is switched off.
2. Align the raised rib on the battery pack with the grooves on the hedge trimmer, and then slide the battery pack onto the hedge trimmer.

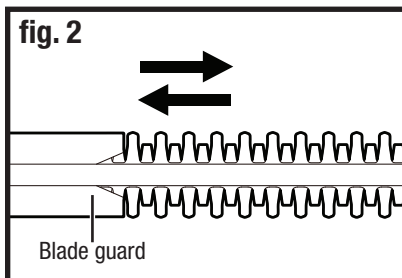


TO REMOVE THE BATTERY PACK (fig. 1)

1. Make sure that the hedge trimmer is switched off.
2. Depress the battery-release button located on the front of the battery pack to release the battery pack.
3. Pull the battery pack out and remove it from the hedge trimmer.

TO REMOVE/INSTALL THE BLADE GUARD (fig. 2)

1. The hedge trimmer is shipped with the blade guard installed. Before use, slide the blade guard off along the blade ridge and remove it.
2. After using and before storing or transporting the hedge trimmer, clean the blade and insert the blade into the blade guard; cover the entire length of the blade and make sure that the open side of the blade guard is facing upward.



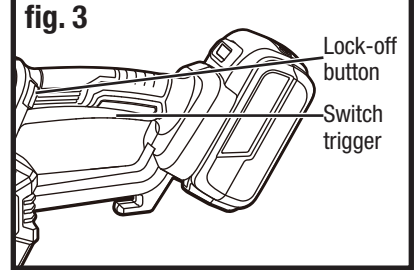
WARNING!

- Always wear gloves when removing or installing the blade cover. Be careful of the blade and protect your hands from being injured by the blade.
- Always remove the battery pack from the product when you are assembling parts, making adjustments, cleaning, or when the product is not in use.

TO START/STOP THE HEDGE TRIMMER (fig. 3)

Before starting the hedge trimmer:

- Remove the blade guard.
- Make sure that the cutting blade is not touching the ground or any other objects.
- Clear the area to be cut before each use. Remove all objects, such as cords, lights, wire, or string, that could become entangled in the cutting blade and create a risk of serious personal injury.



1. Install the battery pack.
2. Press and hold the lock-off button, then squeeze the switch trigger with your fingers to start the hedge trimmer. Release the lock-off button and continue to squeeze the switch trigger for continued operation.
3. Release the switch trigger to stop the hedge trimmer.

TIPS FOR BEST TRIMMING RESULTS

1. Before starting the hedge trimmer, maintain proper footing and balance and do not overreach. Wear safety goggles, nonskid footwear and rubber gloves. Hold the unit with both hands, with the cutting blade directed away from you.
2. Do not trim too much at one time. This can cause the blades to bind and slow, reducing the cutting efficiency.
3. Do not force the hedge trimmer through heavy shrubbery. This can cause the blades to bind and slow down. If the blades slow down, slow the pace of your work.
4. When trimming new growth, use a wide, sweeping action so that the stems are fed directly into the cutting blade. Older growth will have thicker stems and will be trimmed most easily by using a sawing motion.

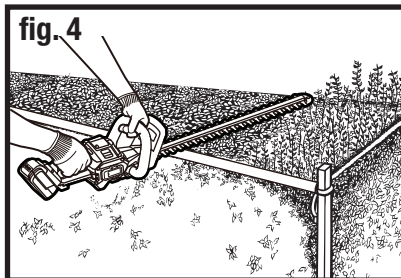


WARNING!

- If the blade jams on any electrical cord or line, DO NOT TOUCH THE BLADE BECAUSE IT CAN BECOME ELECTRICALLY LIVE AND VERY DANGEROUS. Continue to hold the hedge trimmer by the insulated handle or lay it down and away from you in a safe manner. Disconnect the electrical service to the damaged line or cord before attempting to free the blade from the line or cord. Failure to heed this warning will result in serious personal injury or possible death.

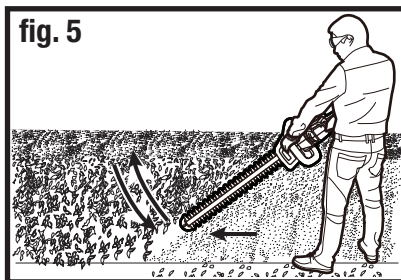
TOP CUTTING (fig. 4)

Use a wide, sweeping motion. A slight downward tilt of the cutting blades in the direction of motion provides the best cutting results. If desired, you can use a string to help guide you as you cut the hedge level. Trim the hedge just above this guide line.



SIDE CUTTING (fig. 5)

When trimming the sides of the hedge, begin at the bottom and cut upward. Trim the side of a hedge so that the hedge will be slightly narrower at the top. This shape will expose more of the hedge to sunlight, resulting in more uniform growth.



MAINTENANCE

CLEANING

- For safe and proper operation, always keep the tool and its ventilation slots clean. Always use only a soft, dry cloth or brush to remove debris from the air vents and cutting blade. To remove pitch and other sticky residue on the cutting blade, spray the blades with resin solvent, then wipe the surface with a dry cloth; never use water to clean the blade.
- Avoid using solvents when cleaning plastic parts. Use only a dry, clean cloth to remove dirt, dust, oil, grease, etc.

LUBRICATION

- For best operation and longer blade life, lubricate the hedge trimmer blade with lightweight machine oil before and after each use.
- Lay the hedge trimmer on a flat surface. Apply some lightweight machine oil along the edge of the top blade.
- If the hedge trimmer will be used for an extended period, it is advisable to stop, remove the battery, and oil the blade during use.

STORAGE

- Clean the tool and lubricate the blade thoroughly before storing it. Store the hedge trimmer indoors, in a dry, well-ventilated area, locked-up or up high, and out of the reach of children. Keep it away from corrosive agents, such as garden chemicals and de-icing salts.



WARNING!

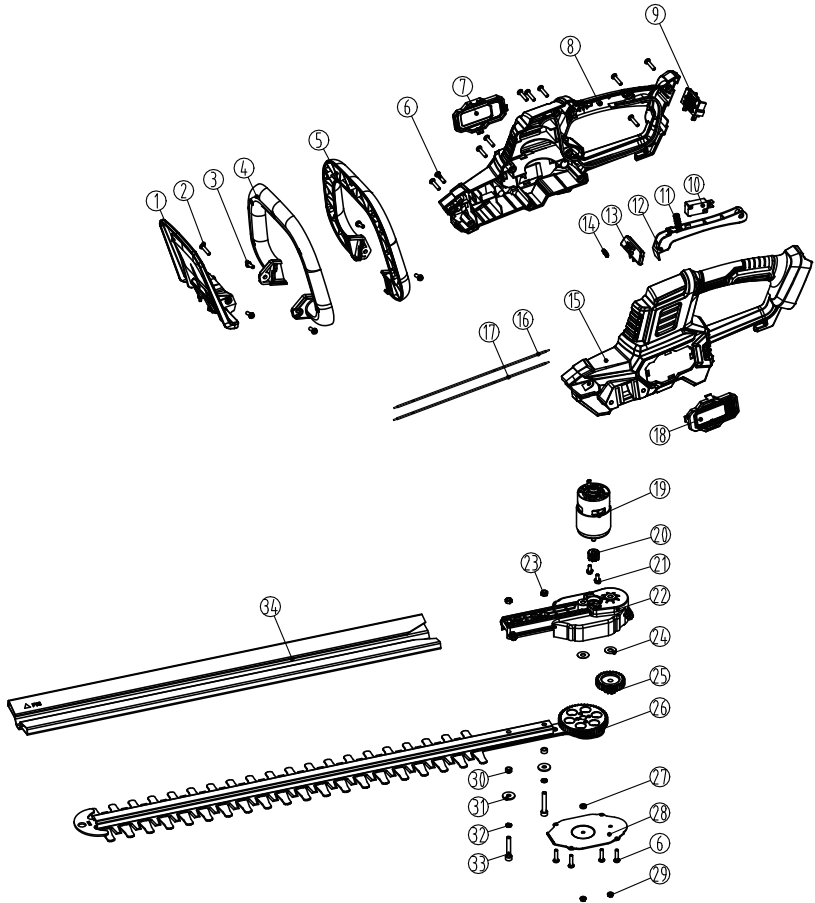
- Do not let brake fluids, gasoline, petroleum-based products, penetrating oil, etc., come into contact with plastic parts. These substances contain chemicals that can damage, weaken, or destroy plastic.
- When servicing, use only identical replacement parts. The use of any other parts may create a hazard or cause damage to the product.
- Use only accessories that are recommended for this hedge trimmer by the manufacturer. Accessories that may be suitable for one tool may become hazardous when used with another tool.
- To ensure safety and reliability, all repairs should be performed by a qualified service technician.

TROUBLESHOOTING

Problem	Possible Causes	Solution
Hedge trimmer does not work.	The battery pack is not properly attached to the hedge trimmer.	Attach the battery pack to the hedge trimmer.
	The battery pack is depleted.	Charge the battery pack.
	The blade is jammed.	Remove the battery pack from the tool, remove the obstruction carefully, then reinsert the battery and restart the tool.
Excessive vibration or noise.	Dry or corroded blades.	Lubricate the blades.
	Blades or blade support is bent.	Replace with a new blade or support.
	Bent or damaged teeth.	Replace with a new blade.
	Loose blade bolts.	Tighten the blade bolts.

If the problem remains unsolved after performing the checks described above, call the toll-free helpline at 1-800-689-9928.

EXPLODED VIEW



No.	Part No.	Description
1	0600591801	Guard
2	0600591802	Screw
3	0600591803	Screw
4	0600591804	Front Auxiliary Handle
5	0600591805	Rear Auxiliary Handle
6	0600591806	Screw
7	0600591807	Right Trim Panel
8	0600591808	Right Casing
9	0600591809	Plug-In Seat Assembly
10	0600591810	Micro Switch
11	0600591811	Switch Spring
12	0600591812	Switch Trigger
13	0600591813	Lock-Off Button
14	0600591814	Spring
15	0600591815	Left Casing
16	0600591816	Wire
17	0600591817	Wire

No.	Part No.	Description
18	0600591818	Left Trim Panel
19	0600591819	Motor
20	0600591820	Pinion
21	0600591821	Screw
22	0600591822	Gearbox
23	0600591823	Nut
24	0600591824	Washer
25	0600591825	Double Gear
26	0600591826	Blade
27	0600591827	Pressing Sleeve
28	0600591828	Gearbox Cover
29	0600591829	Nut
30	0600591830	Positioning Slider
31	0600591831	Washer
32	0600591832	Spring Washer
33	0600591833	Screw
34	0600591834	Blade Guard

If any parts are missing or damaged, or if you have any questions, please call the toll-free helpline at 1-800-689-9928.

This Mastercraft product is guaranteed for a period of **3 years from the date of original retail purchase** against defects in workmanship and materials, except for the following components:

- a) Component A: Batteries, chargers and carrying case, which are guaranteed for a period of 2 years from the date of original retail purchase against defects in workmanship and materials;
- b) Component B: Accessories, which are guaranteed for a period of 1 year from the date of original retail purchase against defects in workmanship and materials.

Subject to the conditions and limitations described below, this product, if returned to us with proof of purchase within the stated warranty period and if covered under this warranty, will be repaired or replaced (with the same model, or one of equal value or specification), at our option. We will bear the cost of any repair or replacement and any costs of labour relating thereto.

These warranties are subject to the following conditions and limitations:

- a) a bill of sale verifying the purchase and purchase date must be provided;
- b) this warranty will not apply to any product or part thereof which is worn or broken or which has become inoperative due to abuse, misuse, accidental damage, neglect or lack of proper installation, operation or maintenance (as outlined in the applicable owner's manual or operating instructions) or which is being used for industrial, professional, commercial or rental purposes;
- c) this warranty will not apply to normal wear and tear or to expendable parts or accessories that may be supplied with the product that are expected to become inoperative or unusable after a reasonable period of use;
- d) this warranty will not apply to routine maintenance and consumable items such as, but not limited to, fuel, lubricants, vacuum bags, blades, belts, sandpaper, bits, fluids, tune-ups or adjustments;
- e) this warranty will not apply where damage is caused by repairs made or attempted by others (i.e., persons not authorized by the manufacturer);
- f) this warranty will not apply to any product that was sold to the original purchaser as a reconditioned or refurbished product (unless otherwise specified in writing);
- g) this warranty will not apply to any product or part thereof if any part from another manufacturer is installed therein or any repairs or alterations have been made or attempted by unauthorized persons;
- h) this warranty will not apply to normal deterioration of the exterior finish, such as, but not limited to, scratches, dents, paint chips, or to any corrosion or discolouring by heat, abrasive and chemical cleaners; and
- i) this warranty will not apply to component parts sold by and identified as the product of another company, which shall be covered under the product manufacturer's warranty, if any.

Additional Limitations

This warranty applies only to the original purchaser and may not be transferred. Neither the retailer nor the manufacturer shall be liable for any other expense, loss or damage, including, without limitation, any indirect, incidental, consequential or exemplary damages arising in connection with the sale, use or inability to use this product.

Notice to Consumer

This warranty gives you specific legal rights, and you may have other rights, which may vary from province to province. The provisions contained in this warranty are not intended to limit, modify, take away from, disclaim or exclude any statutory warranties set forth in any applicable provincial or federal legislation.

Made in China

Imported by

Mastercraft Canada Toronto, Canada M4S 2B8

WARRANTY

