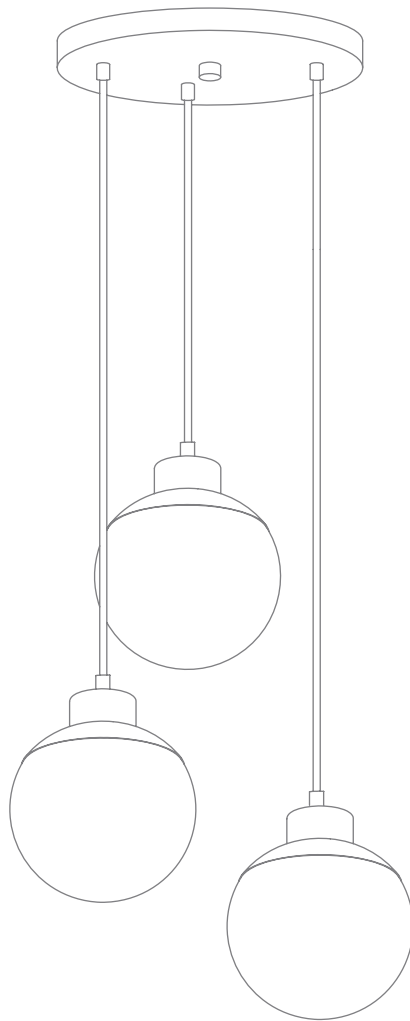


CANVAS^{TM/MC}

CLARA ORB CHANDELIER

MODEL NO. 052-0998-2



ASSEMBLY MANUAL

Toll-free 1-888-670-6684

IMPORTANT: Please read and understand this manual before any assembly.

MADE IN CHINA

IMPORTED BY
TRILEAF DISTRIBUTION TRIFEUIL TORONTO, CANADA M4S 2B8

Table of Contents / Important Safety Instructions	3
Parts List	4
Assembly	5
Warranty	7

CLEANING: Before cleaning your lamp, turn off the switch or power source. Wipe the lamp with a soft, damp cloth.

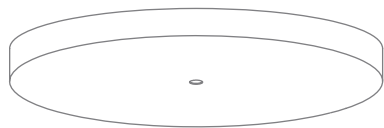
IMPORTANT: RETAIN FOR FUTURE REFERENCE, AND READ CAREFULLY.



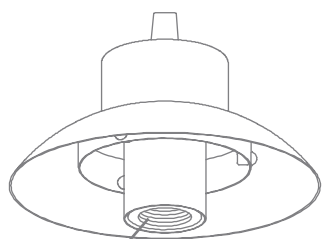
**READ INSTRUCTIONS AND REVIEW ALL DIAGRAMS BEFORE
INSTALLING FIXTURE.
GENERAL INSTRUCTIONS:**

1. All electrical connections must be in accordance with local codes, ordinances and the Canadian Electrical Code.
2. These fixtures should be mounted on an electrical outlet box. The box must be directly supported by the building structure.
3. Turn off the circuit breaker or remove the appropriate fuse to disconnect power source before installing fixture.
4. Turning the light switch off to cut the power is not sufficient to prevent electric shock. When in doubt about the safety of any electrical installation or repair, consult a qualified electrician.

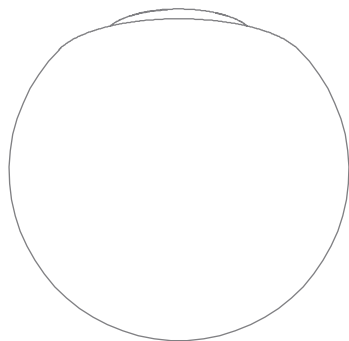
4 MODEL NO. 052-0998-2



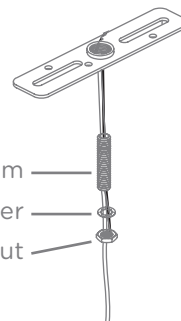
A
Canopy



B
Metal shade holder -3



C
Glass shade-3



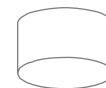
1
Mounting strip -1



2
Wire connector -3



3
Outlet box screws -2



4
Decorative nut -1

3 x E26 medium
bulb, 60 W
(sold separately)



5
Bulb -3

Step 1

Requires **1, 2, 3**

Place mounting strip **1** over the centre of the ceiling outlet box.

Align the holes in the mounting strip **1** with the holes in the outlet box and attach with 2 outlet box screws **3**.

Secure the screws with a screwdriver.

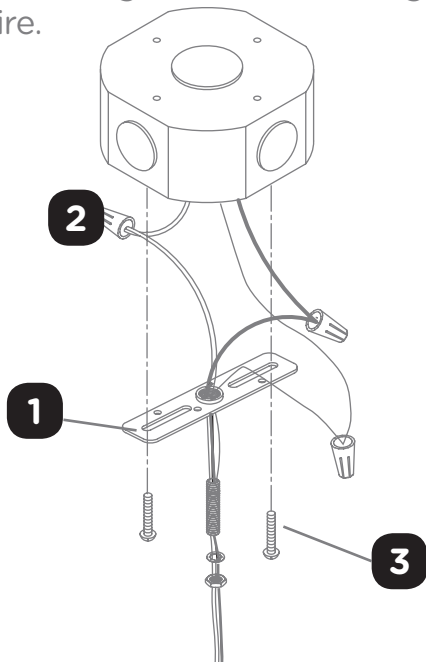
Gently pull the wiring down from the ceiling outlet box and allow it to hang.

Attach the live (+) wire (usually black) of the pendant lamp to the live (+) wire of the outlet box. Secure them together with a wire connector **2**, and wrap the connection with electrical tape.

Attach the neutral (-) wire (usually white) of the pendant lamp to the neutral (-) wire of the outlet box. Secure them together with a wire connector **2**, and wrap the connection with electrical tape.

Attach the ground wire (usually green) of the pendant lamp to the ground wire of the outlet box. Secure them together with a wire connector **2**, and wrap the connection with electrical tape.

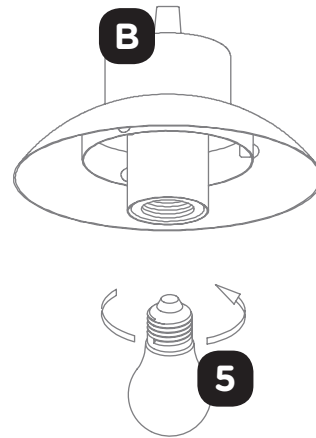
Gently tuck the wire connections neatly into the ceiling outlet box and tighten the wire.



Step 2

Requires **B, 5**

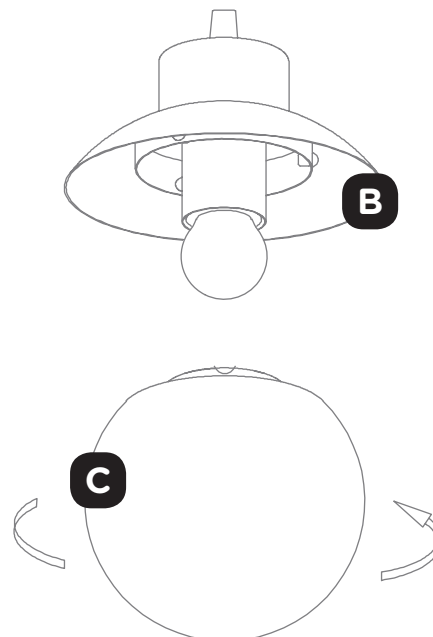
Insert bulb **5** into socket of metal shade holder **B**.



Step 3

Requires **B, C**

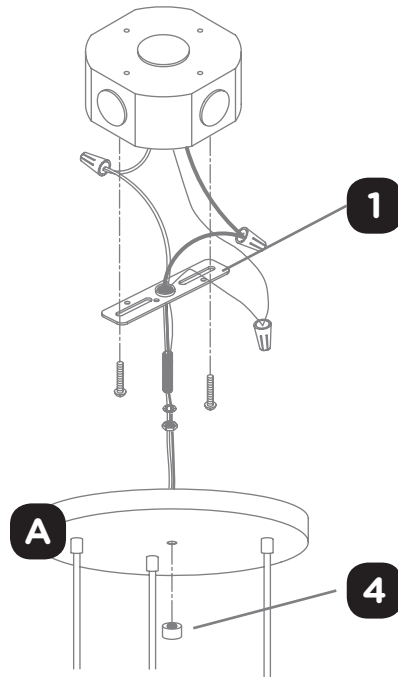
Fit glass shade **C** into the metal shade holder **B** and twist counter clockwise to lock in place.



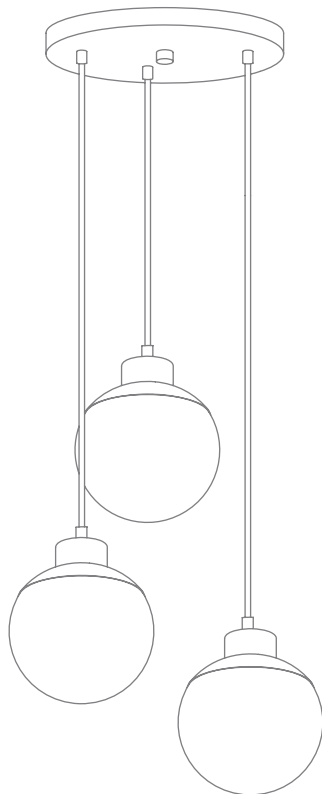
6 MODEL NO. 052-0998-2**Step 4**

Requires **A, 1, 4**

Place the mounting strip **1** over the canopy **A**. Align the threaded stem with the hole in canopy **A**. Secure it with the decorative nut **4**.

**Step 5**

Restore power to the outlet box to test the fixture.



CANVAS^{TM/MC} 7

This CANVAS product carries a one (1) year warranty against defects in workmanship and materials. Trileaf Distribution agrees to replace a defective product free of charge within the stated warranty period, when returned by the original purchaser with proof of purchase. This product is not guaranteed against wear or breakage due to misuse and/or abuse.