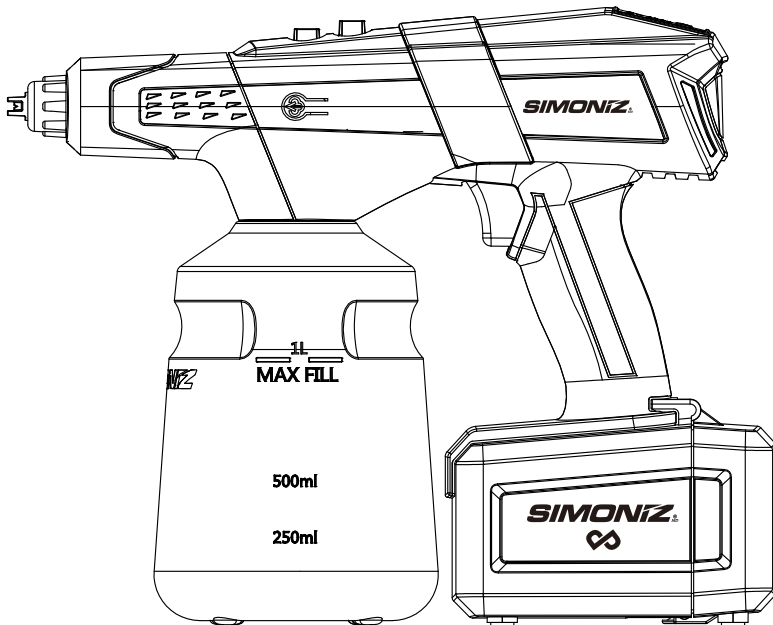


SIMONIZ[®]
MD

CORDLESS FOAM CANNON



Model no. 039-3650-4

Please read the user manual in full to familiarize yourself with all safety warnings before using the product.

**INSTRUCTION
MANUAL**

TABLE OF CONTENTS

Application - - - - -	1
Technical Specifications - - - - -	1
Product Overview - - - - -	2
Operating Instructions - - - - -	3
Maintenance - - - - -	9
Troubleshooting - - - - -	10
Warranty - - - - -	11
Additional Limitations - - - - -	12
Notice to Consumer - - - - -	12

WARNING

Please read these instructions carefully.

Non-compliance may result in product damage or serious injury.

Do not use this product if it is not completely assembled or if any parts appear to be missing or damaged.

Do not allow the product to come in contact with brake fluids, gasoline, petroleum-based products, etc., as it may damage, weaken or destroy plastic which can result in serious injuries.

Do not attempt to modify this product.

Do not use this product with other accessories.

Failure to comply may create hazardous conditions resulting in serious injuries.

APPLICATION

This foam cannon is specifically manufactured for the generation of long lasting foam. It is designed for use with chemical agents with surfactant properties. For best results, use with SIMONIZ[®] Snow Foam Car Wash Detergent (SKU #039-0510-6).

TECHNICAL SPECIFICATIONS

Total Capacity: 1.3 L

60 PSI safety valve with depressurization option

Useful Capacity: 1 L

6 Replacement Filters

Net Weight: 1 kg (bare tool)

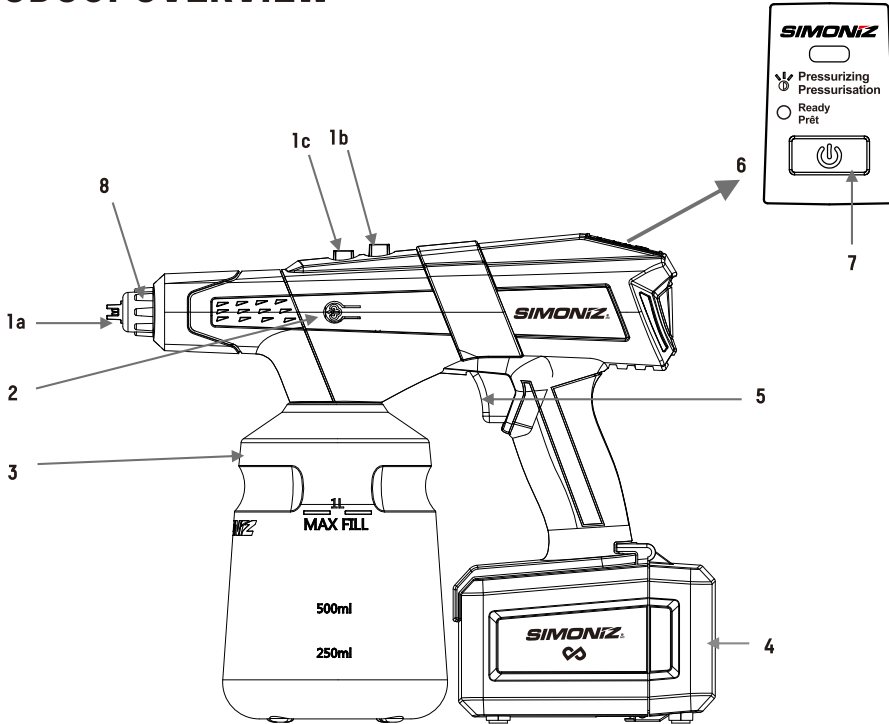
Working Pressure 45 PSI

3 Nozzles

Working Temperature 0 - 60°C

Model no. 039-3650-4

PRODUCT OVERVIEW



1a Red Nozzle: approx. 40°

1b Yellow Nozzle: approx. 25°

1c Grey Nozzle: approx. 15°

2 Pressure Release Button

3 Reservoir

4 Battery Housing

5 Trigger

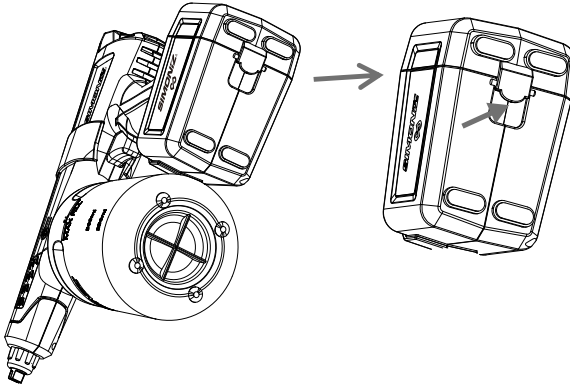
6 Control Panel

7 Power Button

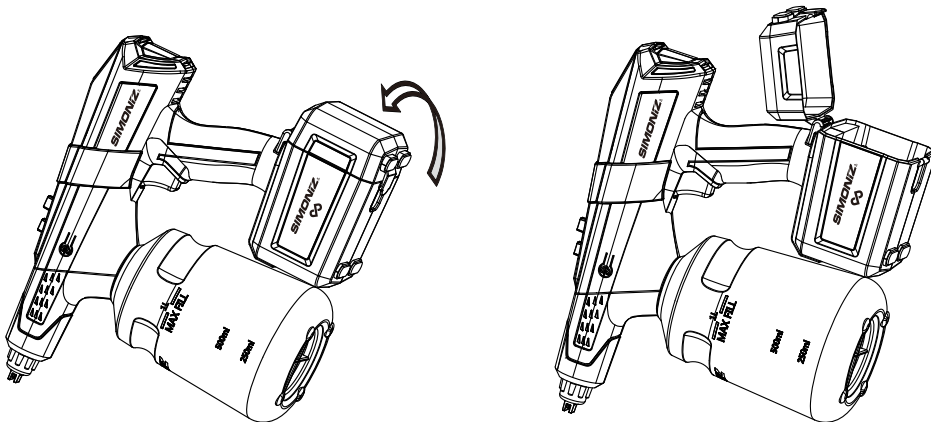
8 Nozzle Collar

OPERATING INSTRUCTIONS

A. Attaching the Battery Pack

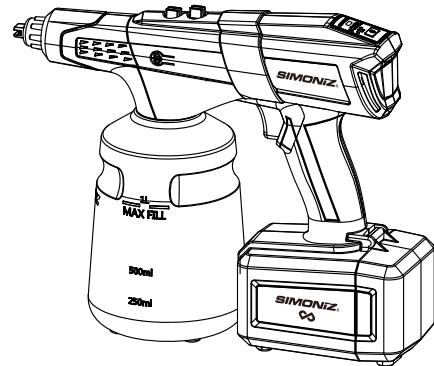
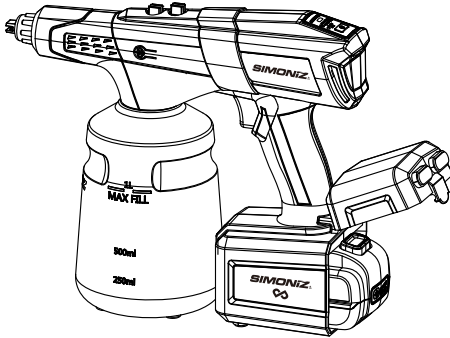
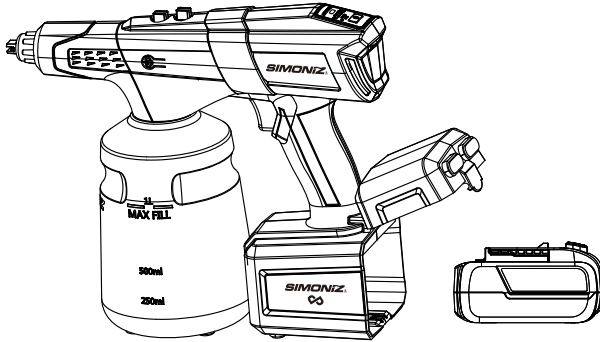


1. Pull the battery compartment latch at the bottom of the product.



2. Open the battery cover in the direction of the hinge.

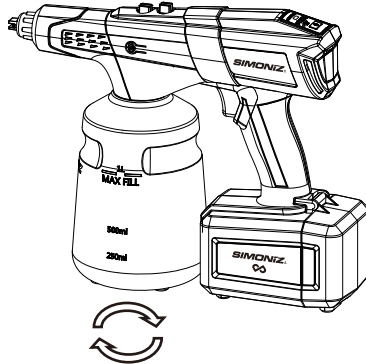
Model no. 039-3650-4



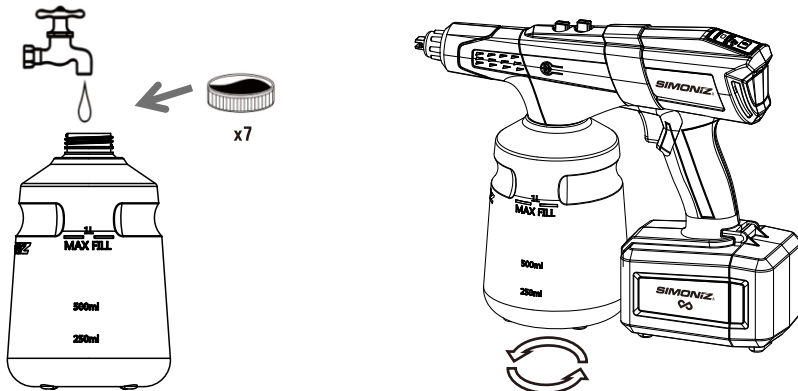
3. Align the raised portion on the battery pack with the grooves on the bottom of the tool, and then slide the battery pack onto the tool.
4. Make sure that the latches on the battery pack snap into place and the battery pack is well secured.
5. Close the battery cover.

B. Adding Chemical Solution

1. Twist reservoir clockwise to remove.



2. Add the foaming detergent to the reservoir. For best results, use with SIMONIZ[®] Snow Foam Car Wash Detergent [SKU #039-0510-6]. **DO NOT** add any acidic liquids, alcohol, gasoline or other corrosive, flammable or explosive liquids or substances to the reservoir. Fill reservoir with water to a maximum of 1 L, swirl the reservoir gently to mix the water and detergent ingredients and twist the reservoir back in place firmly in an counter-clockwise direction.

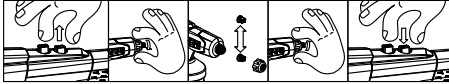


WARNING:


Do not fill past 1 L to ensure there is sufficient capacity for pressure to build.

Model no. 039-3650-4

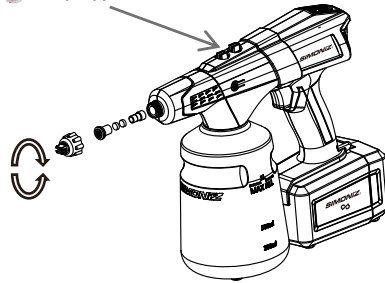
C. Switching Nozzles



 Red: approx. 40°

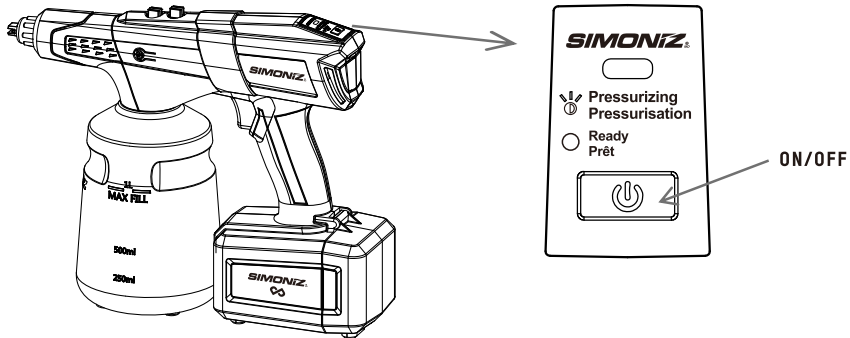
 Yellow: approx. 25°

 Grey: approx. 15°



Twist the nozzle collar counter-clockwise to unlock, pull the nozzle out to remove, replace with desired nozzle, and twist the nozzle collar clockwise to secure nozzle in place.

D. Powering On The Device



Press the power button on the control panel.

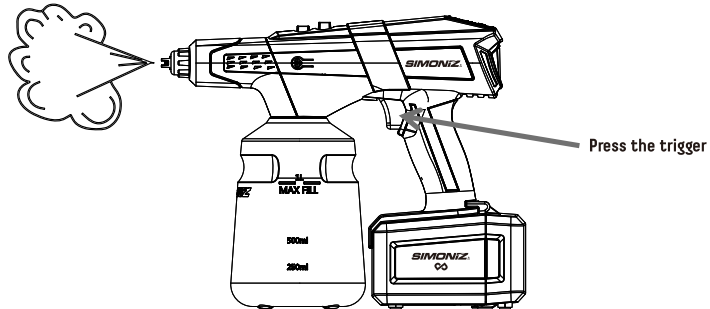
The blue LED will begin to blink and the motor will activate to pressurize the reservoir.

When the blue light turns solid and the motor stops running, the reservoir is fully pressurized.

The unit is now ready for use.

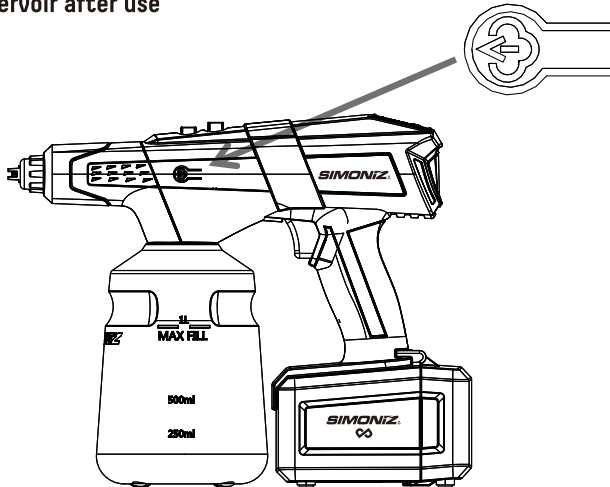
Warning: If the unit takes more than 3 minutes to pressurize, power off the unit and check to ensure the reservoir is secured properly in place.

E. Dispensing foam



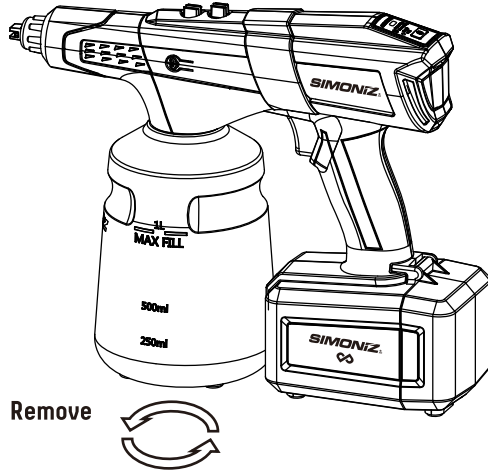
Press the trigger to begin dispensing foam. (Note: The motor will automatically turn on to maintain pressure as needed. The unit may continue to be used.)

F. Removing reservoir after use



1. When the reservoir has been emptied or needs to be removed between uses, ensure that the unit is powered off by pressing the power button and the pressure in the reservoir is released by pressing the pressure release button.

Model no. 039-3650-4

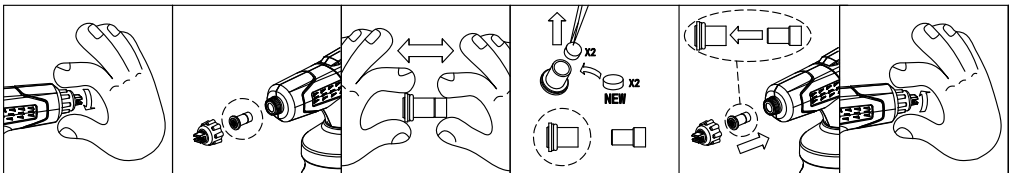
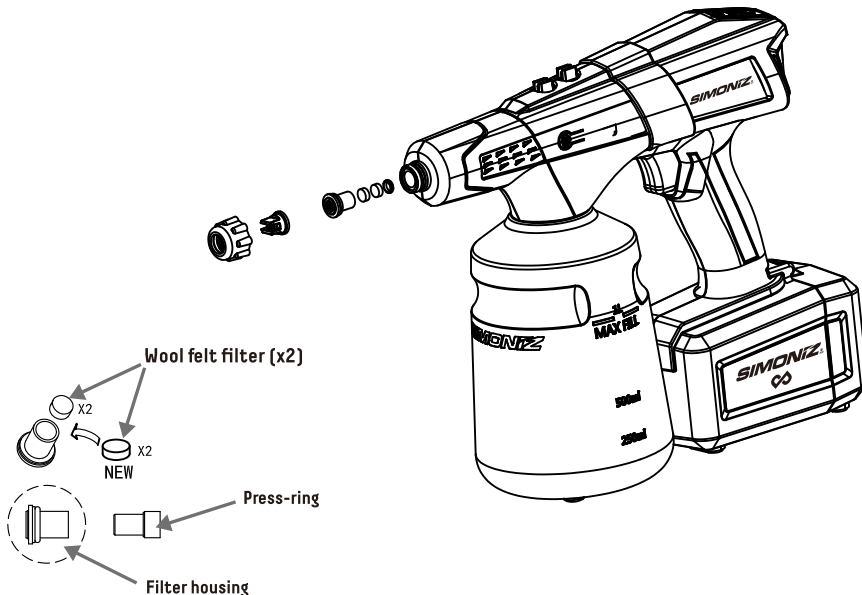


2. Twist reservoir clockwise to remove. Repeat step B to refill reservoir.

MAINTENANCE

The functionality of the wool felt filter is to generate foam.

1. After each use, depressurize the reservoir and and run clean water through the unit to prevent soap build up.
2. In the event of obstruction of the nozzle, remove and clean with water. To avoid damage, do not use sharp metallic objects to clean.
3. The wool felt filter is located within the filter housing that is at the base of the nozzle. The filter is to be cleaned with water when dirty. If it is completely damaged or unable to be properly cleaned, replace with a spare filter supplied in the package. Ensure the press-ring is seated properly to prevent leakage.



TROUBLESHOOTING

Problem	Possible Causes	Solution
Unit does not power on	<ol style="list-style-type: none"> 1. The battery pack may have been installed incorrectly. 2. The battery pack may be insufficiently charged. 	<ol style="list-style-type: none"> 1. Refer to step A to ensure proper installation of the battery. 2. Charge the battery or replace the battery pack with one that has sufficient power.
Unit shuts down automatically	<ol style="list-style-type: none"> 1. The unit includes a setting that prevents excessive use that may cause damage. The unit will turn off automatically after 10 minutes of continuous use. 2. The battery has been depleted. 	<ol style="list-style-type: none"> 1. Press the power button to turn the unit back on after letting the unit rest for 5 minutes. 2. Charge the battery or replace the battery pack with one that has sufficient power.
Duration to pressurize exceeds 3 minutes.	The reservoir may not be attached to the housing securely.	Review step B to ensure the reservoir is attached properly and there is no leakage.
Foam with proper concentration unable to be dispensed	<ol style="list-style-type: none"> 1. Quantity of foaming detergent used is insufficient. 2. The wool felt filter is dirty. 	<ol style="list-style-type: none"> 1. Follow guidance as outlined in step B to prepare solution. 2. Replace the wool felt filter as outlined in the Maintenance section.

1-YEAR LIMITED WARRANTY

This SIMONIZ® product is guaranteed for a period of 1 year from the date of original retail purchase against defects in workmanship and materials.

Subject to the conditions and limitations described below, this product, if returned to us with proof of purchase within the stated warranty period and if covered under this warranty, will be repaired or replaced (with the same model, or one of equal value or specification), at our option. We will bear the cost of any repair or replacement and any costs of labour relating thereto.

THIS WARRANTY IS SUBJECT TO THE FOLLOWING CONDITIONS AND LIMITATIONS:

- a) a bill of sale verifying the purchase and purchase date must be provided;
- b) this warranty will not apply to any product or part thereof which is worn or broken or which has become inoperative due to abuse, misuse, accidental damage, neglect or lack of proper installation, operation or maintenance (as outlined in the applicable owner's manual or operating instructions) or which is being used for industrial, professional, commercial or rental purposes;
- c) this warranty will not apply in the event that any liquids or other substances not expressly approved or otherwise recommended in this manual are used with this product;
- d) this warranty will not apply to normal wear and tear or to expendable parts or accessories that may be supplied with the product that are expected to become inoperative or unusable after a reasonable period of use;
- e) this warranty will not apply where damage is caused by repairs made or attempted by others (i.e., persons not authorized by the manufacturer);
- f) this warranty will not apply to any product that was sold to the original purchaser as a reconditioned or refurbished product (unless otherwise specified in writing);
- g) this warranty will not apply to any product or part thereof if any part from another manufacturer is installed therein or any repairs or alterations have been made or attempted by unauthorized persons;
- h) this warranty will not apply to normal deterioration of the exterior finish, such as, but not limited to, scratches, dents, paint chips, or to any corrosion or discolouring by heat, abrasive and chemical cleaners; and
- i) this warranty will not apply to component parts sold by and identified as the product of another company, which shall be covered under the product manufacturer's warranty, if any.

Model no. 039-3650-4**ADDITIONAL LIMITATIONS**

This warranty applies only to the original purchaser and may not be transferred. Neither the retailer nor the manufacturer shall be liable for any other expense, loss or damage, including, without limitation, any indirect, incidental, consequential or exemplary damages arising in connection with the sale, use or inability to use this product.

NOTICE TO CONSUMER

This warranty gives you specific legal rights, and you may have other rights, which may vary from province to province. The provisions contained in this warranty are not intended to limit, modify, take away from, disclaim or exclude any statutory warranties set forth in any applicable provincial or federal legislation.

This Class B digital apparatus complies with Canadian CAN ICES-3(B)/NMB-3(B).

Designed in Canada

Made in China

Imported by

Trileaf Distribution Trifeuil Toronto, Canada M4S 2B8

